

103033_KF STANDARD SEALS



TWO-way ball valve
Drive: ISO 5211 - DIN 3337 flange for actuator
Connection: KF
Flow: Full
Material: Aisi 316L (1.4404)
Measure: from DN10 to DN50
Seals: Modified Virgin P.T.F.E. with Thrust OR
Operating temperature: -20°C+170°C
Outer finish: Polished
Screws for mounting actuator included

On request:

Antistatic device ATEX:

II 2G Ex h IIC T4 Gb

II 2D Ex h IIIC T135°C Db

M.O.C.A. CE 1935/2004

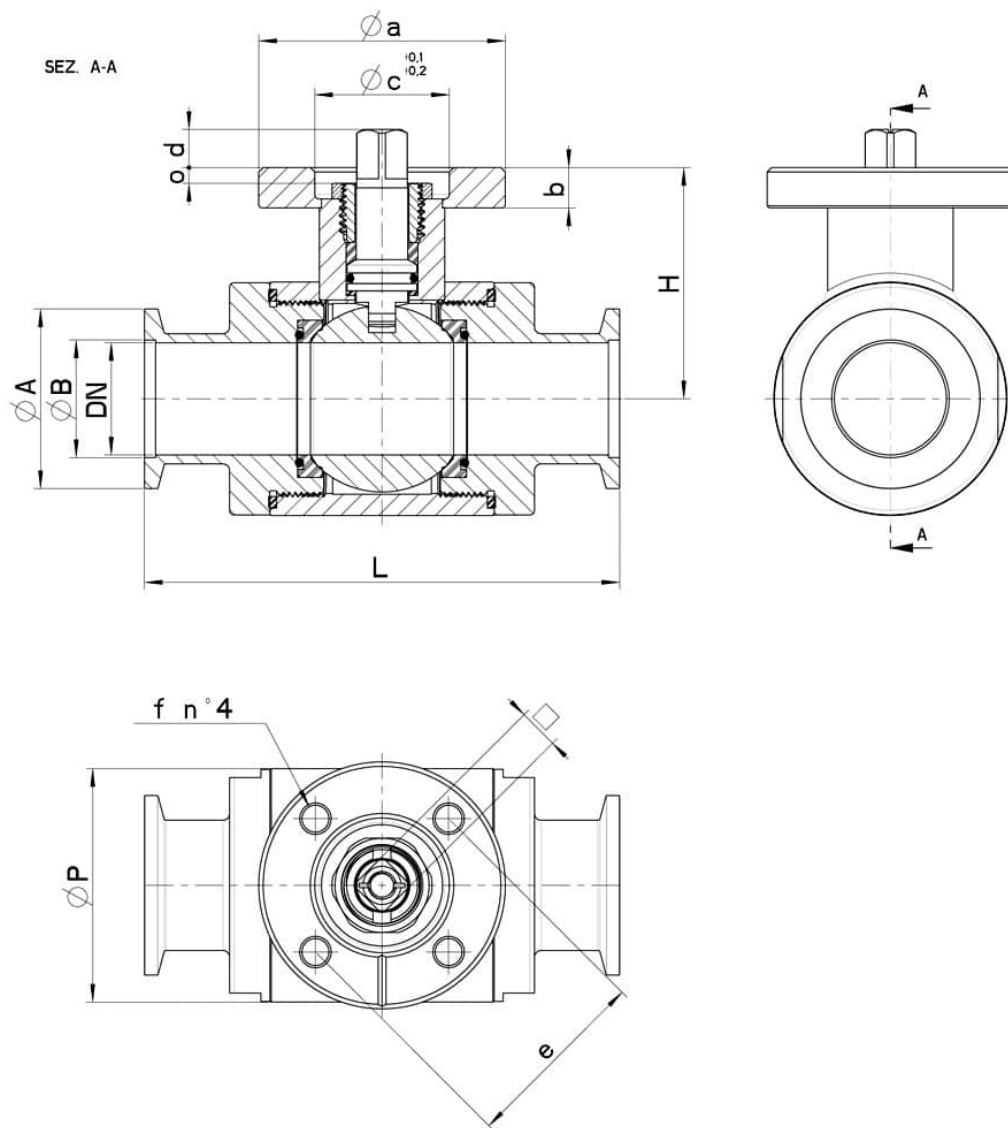
• Seals made of:

PTFE with glass -20°C+170°C

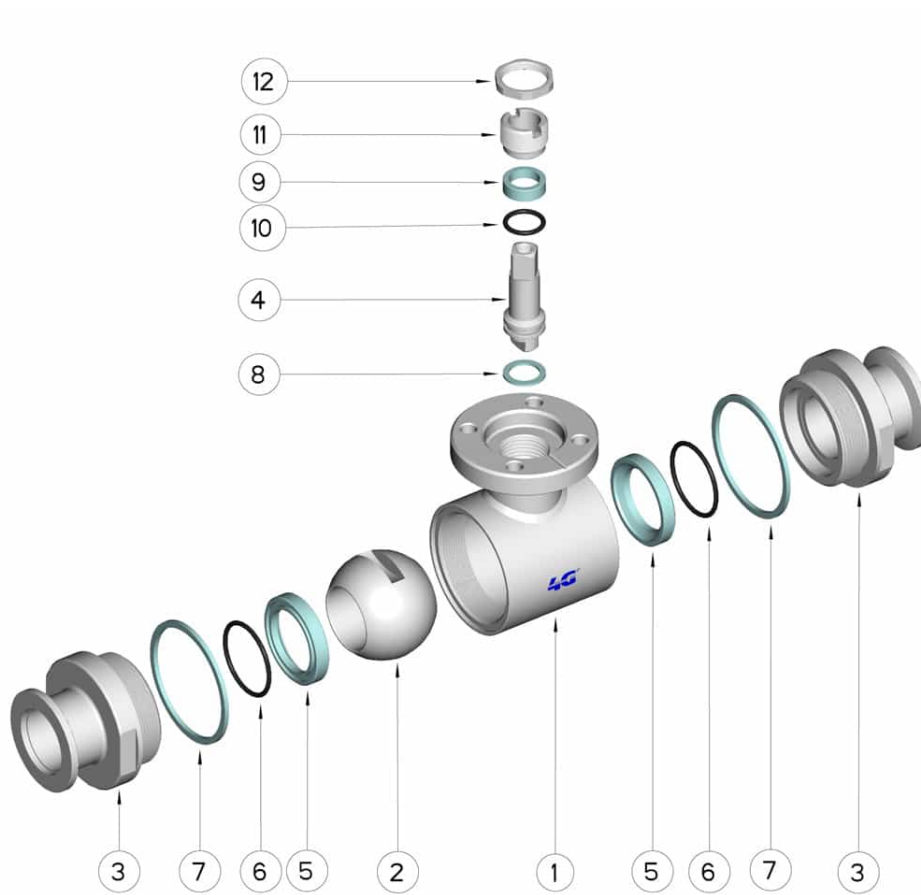
PTFE with carbographite -20°C+180°C

PTFE with inox -20°C+200°C

UHMW High-molecular weight polyethylene -20°C+80°C



KF	DN	L	Ø A	Ø B	H	Ø P	PN	ISO-DIN	Ø a	b	Ø c x o	□	d	e	f	n° 4 BOLTS	Nm	Kg	CODE AISI 316L
30	10	88	30	12.2	39	30	100	F.03	46	9	25x3	9	8	36	6	M5x16	5	0,44	103033 60860
30	10	88	30	12.2	39	30	100	F.04	54	9	30x3	11	10	42	6	M5x16	5	0,46	103033 6086F
30	15	92	30	17.2	41,5	35	100	F.03	46	9	25x3	9	8	36	6	M5x16	8	0,50	103033 61460
30	15	92	30	17.2	41,5	35	100	F.04	54	9	30x3	11	10	42	6	M5x16	8	0,54	103033 6146F
40	20	102	40	22.2	45	42	100	F.03	46	9	25x3	9	8	36	6	M5x16	12	0,95	103033 62060
40	20	102	40	22.2	45	42	100	F.04	54	9	30x3	11	10	42	6	M5x16	12	0,96	103033 6206F
40	25	106	40	26.2	51,5	52	64	F.04	54	9	30x3	11	10	42	6	M5x16	15	1,31	103033 62660
40	25	106	40	26.2	51,5	52	64	F.05	65	9	35x3	14	13	50	7	M6x16	15	1,36	103033 6266F
55	32	112	55	34.2	56,5	60	64	F.04	54	9	30x3	11	10	42	6	M5x16	18	1,42	103033 63060
55	32	112	55	34.2	56,5	60	64	F.05	65	9	35x3	14	13	50	7	M6x16	18	1,49	103033 6306F
55	40	126	55	41.2	76	73	64	F.05	65	12	35x4	14	13	50	7	M6x20	25	2,42	103033 63460
55	40	126	55	41.2	76	73	64	F.07	90	12	55x4	17	15	70	9	M8x20	25	2,57	103033 6346F
75	50	136	75	52.2	84	88	40	F.05	65	12	35x4	14	13	50	7	M6x20	30	3,44	103033 63860
75	50	136	75	52.2	84	88	40	F.07	90	12	55x4	17	15	70	9	M8x20	30	3,61	103033 6386F



POSITION	DENOMINATION	PIECES	MATERIAL
1	Body	1	AISI 316L
2	Ball	1	AISI 316L
3	Sleeves	2	AISI 316L
4	Stem	1	AISI 316L
5	Ball Seals	2	PTFE
6	OR reggispinta	2	FKM
7	Sleeve Seals	2	PTFE
8	Stem Seal	1	PTFE
9	Stem Seal	1	PTFE
10	Stem or-Seal	1	FKM
11	Register ring	1	AISI 303
12	Locknut	1	AISI 303

