

103031 STANDARD SEALS - GAROLLA



TWO-way ball valve
Drive: ISO 5211 - DIN 3337 flange for actuator
Connection: GAROLLA
Flow: Full and reduced
Material: Aisi 304L (1.4307) - Aisi 316L (1.4404)
Measure: from DN32 to DN100
Seals: Modified Virgin P.T.F.E.
Operating temperature: -20°C +170°C
Outer finish: Polished
Screws for mounting actuator included

On request:

Antistatic device ATEX:

II 2G Ex h IIC T4 Gb

II 2D Ex h IIIC T135°C Db

M.O.C.A. CE 1935/2004

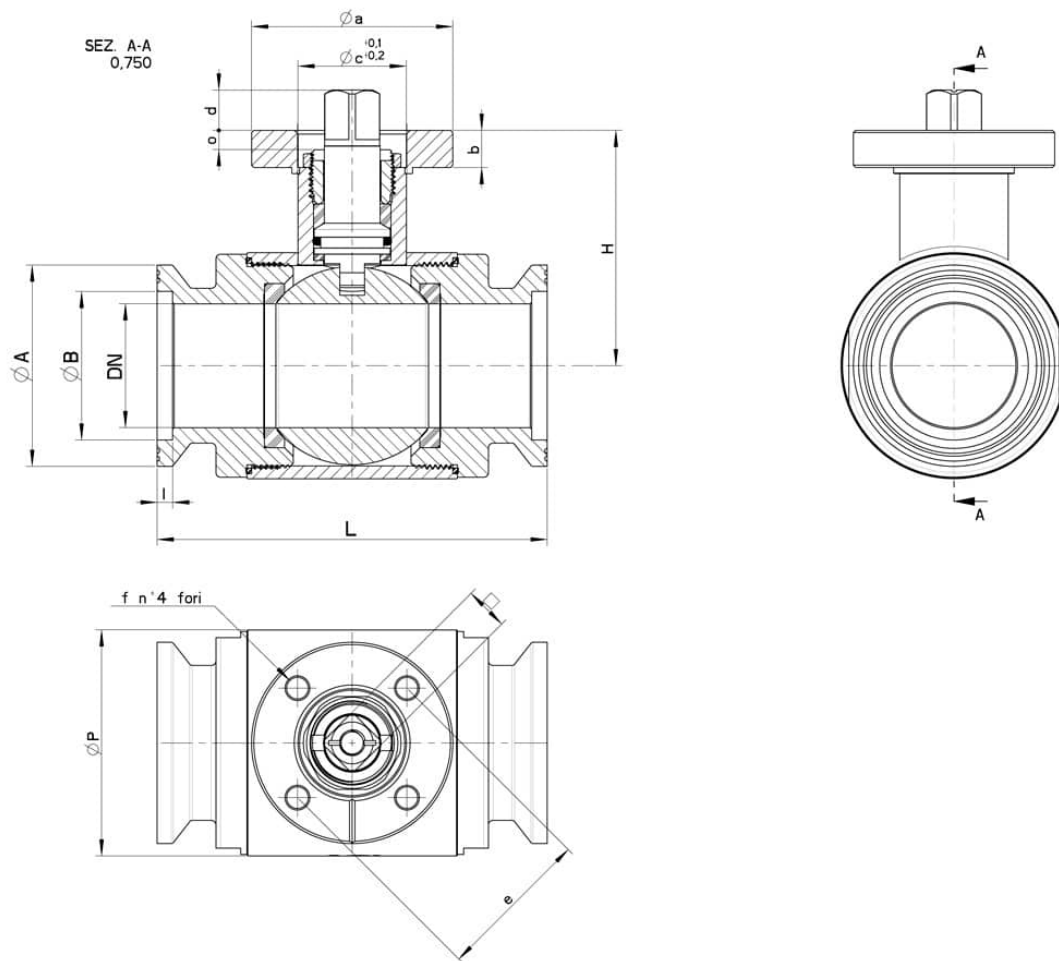
• Seals made of:

PTFE with glass -20°C+170°C

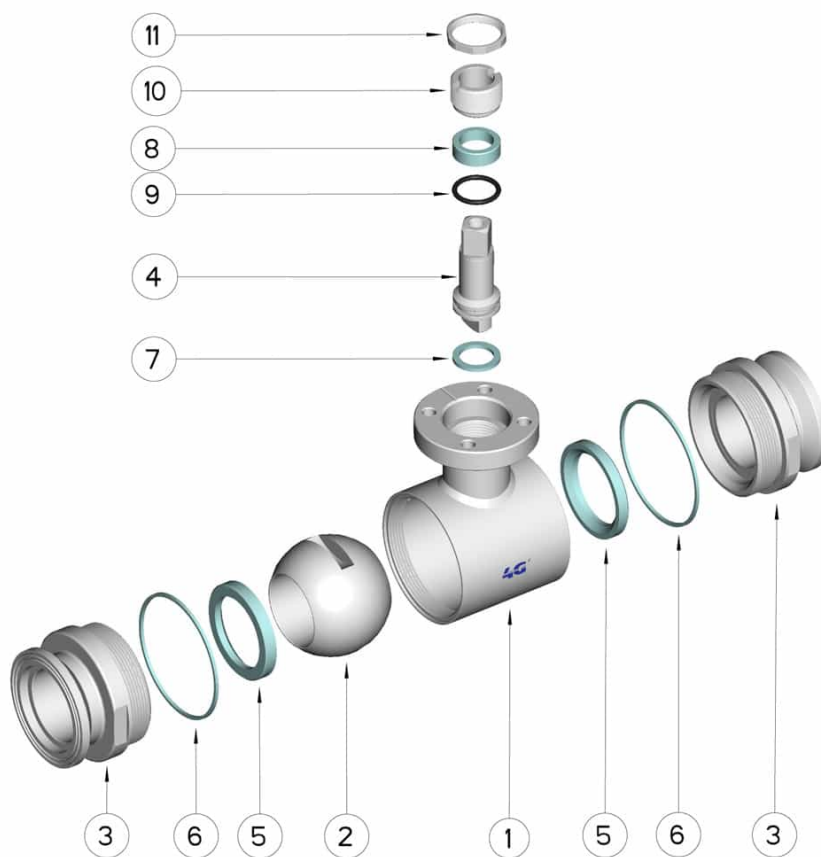
PTFE with carbographite -20°C+180°C

PTFE with inox -20°C+200°C

UHMW High-molecular weight polyethylene -20°C+80°C



GAROLLA	DN	L	Ø A	Ø B	H	Ø P	PN	ISO-DIN	Ø a	b	Ø c x o	□	d	e	f	n° 4 Bolts	Nm	Kg	CODE AISI 304L	CODE AISI 316L
40	(Reduced) 32	112	65	48	56,5	60	64	F.04	54	9	30x3	11	10	42	6	M5x16	18	1,70	-	103031 63210
40	(Reduced) 32	112	65	48	56,5	60	64	F.05	65	9	35x3	14	13	50	7	M6x16	18	1,80	-	103031 6321F
40	40	126	65	48	76	73	64	F.05	65	12	35x4	14	13	50	7	M6x20	25	2,68	-	103031 63410
40	40	126	65	48	76	73	64	F.07	90	12	55x4	17	15	70	9	M8x20	25	2,85	-	103031 6341F
50	(Reduced) 40	126	75	56	76	73	64	F.05	65	12	35x4	14	13	50	7	M6x20	25	-	-	103031 63610
50	(Reduced) 40	126	75	56	76	73	64	F.07	90	12	55x4	17	15	70	9	M8x20	25	-	-	103031 6361F
50	50	136	75	56	84	88	40	F.05	65	12	35x4	14	13	50	7	M6x20	30	3,57	-	103031 63810
50	50	136	75	56	84	88	40	F.07	90	12	55x4	17	15	70	9	M8x20	30	3,75	-	103031 6381F
60	(Reduced) 50	136	87	66	84	88	40	F.05	65	12	35x4	14	13	50	7	M6x20	30	3,72	-	103031 63910
60	(Reduced) 50	136	87	66	84	88	40	F.07	90	12	55x4	17	15	70	9	M8x20	30	3,90	-	103031 6391F
70	65	154	97	76	94,5	113	40	F.07	90	12	55x4	17	15	70	9	M8x20	45	6,10	-	103031 64410
70	65	154	97	76	94,5	113	40	F.10	125	12	70x4	22	18	102	11	M10x25	45	6,60	-	103031 6441F
80	80	184	109	86	106	135	40	F.07	90	12	55x4	17	15	70	9	M8x20	70	9,35	103031 44810	103031 64810
80	80	184	109	86	106	135	40	F.10	125	12	70x4	22	18	102	11	M10x25	45	9,85	103031 4481F	103031 6481F
100	100	190	129	106	120	167	25	F.07	90	12	55x4	17	15	70	9	M8x20	80	13,30	103031 45410	103031 65410
100	100	190	129	106	120	167	25	F.10	125	12	70x4	22	18	102	11	M10x25	80	14,20	103031 4541F	103031 6541F
120	(Reduced) 100	202	158	129	120	167	25	F.07	90	12	55x4	17	15	70	9	M8x20	80	14,30	103031 45510	103031 65510
120	(Reduced) 100	202	158	129	120	167	25	F.10	125	12	70x4	22	18	102	11	M10x25	80	15,20	103031 4551F	103031 6551F



Position	Denomination	PEZZI	MATERIAL
1	Body	1	AISI (304L) 316L
2	Ball	1	AISI (304L) 316L
3	Sleeves	2	AISI (304L) 316L
4	Stem	1	AISI (304L) 316L
5	Ball Seals	2	PTFE Vergine Modificato
6	Sleeve Seals	2	PTFE
7	Stem Seal	1	PTFE
8	Stem Seal	1	PTFE
9	Stem or-Seal	1	FKM
10	Register ring	1	AISI 304L (303)
11	Locknut	1	AISI 303

