

## 103030C FOR ISO PIPE - HEATING JACKET



TWO-way ball valve with HEATING JACKET  
Drive: ISO 5211 - DIN 3337 flange for actuator  
Connection: **CLAMP normative DIN 32676 TAB.3 REIHE B**  
**For TUBE according to normative ISO 1127**  
Flow: Full and reduced  
Material: Aisi 316L (1.4404)  
Measure: from DN25 to DN100  
Seals: Modified Virgin P.T.F.E.  
Operating temperature: -20°C +170°C  
Outer finish: Polished  
Screws for mounting actuator included

On request:

Antistatic device ATEX:

II 2G Ex h IIC T4 Gb

II 2D Ex h IIIC T135°C Db

M.O.C.A. CE 1935/2004

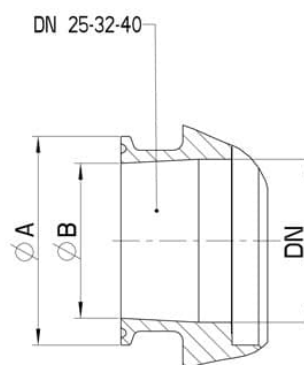
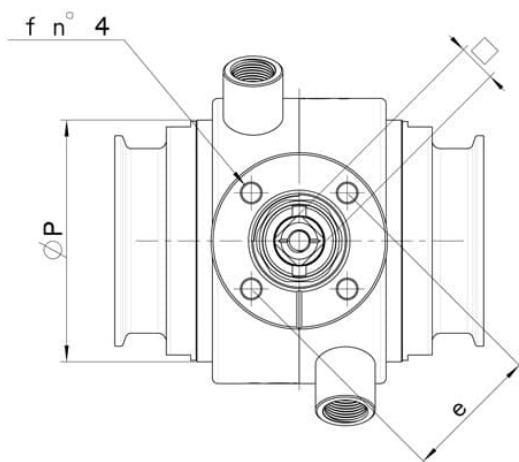
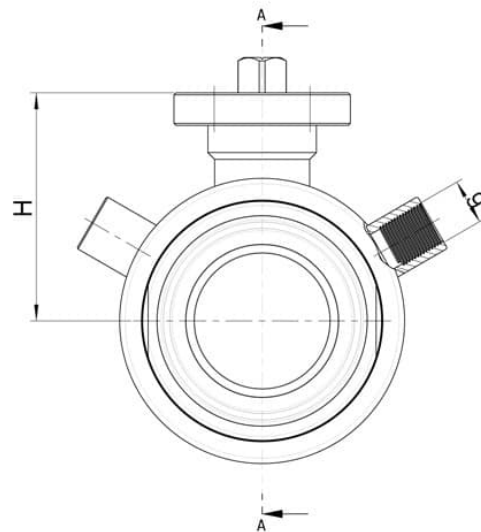
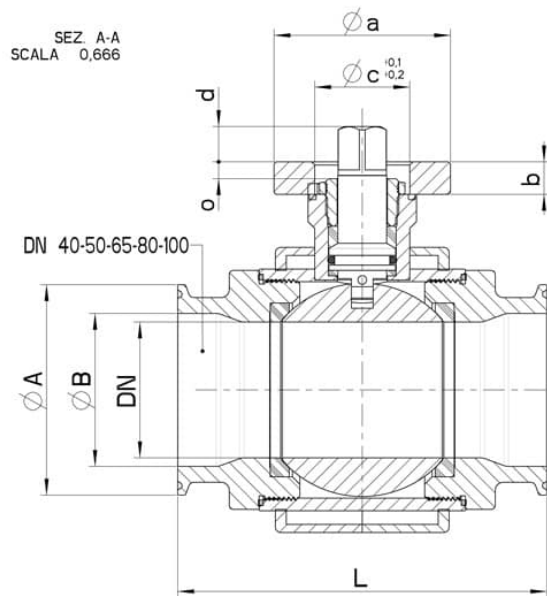
• Seals made of:

PTFE with glass -20°C+170°C

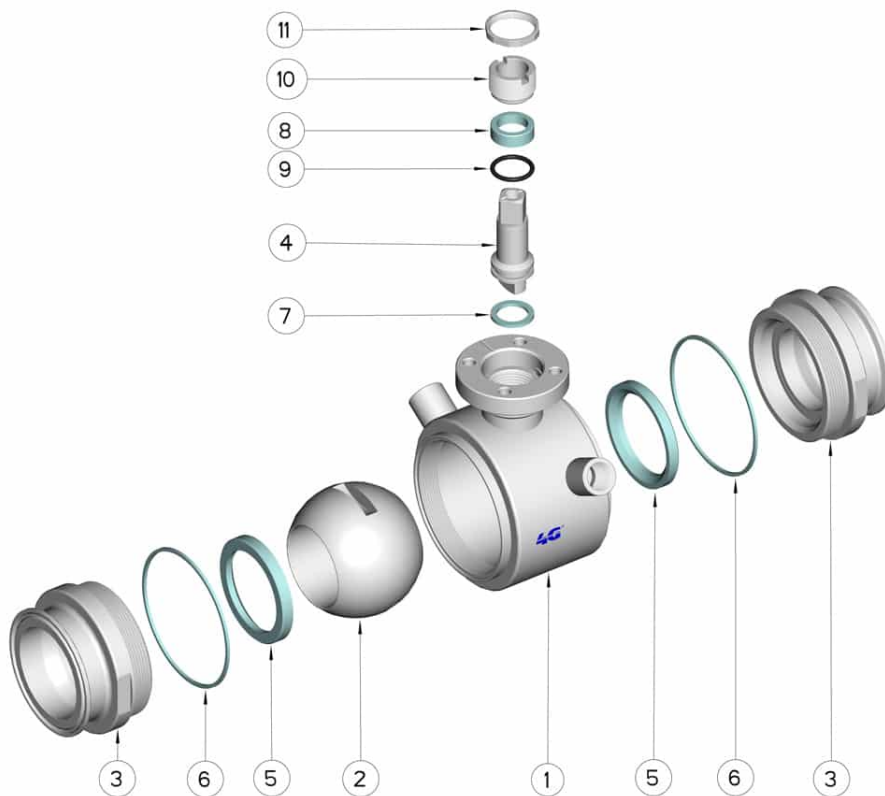
PTFE with carbographite -20°C+180°C

PTFE with inox -20°C+200°C

UHMW High-molecular weight polyethylene -20°C+80°C



CLAMP REIHE B OD	DN	L	Ø A	Ø B	H	Ø P	g	PN	Kg	ISO-DIN	Ø a	b	Ø c x o	□	d	e	f	n° 4 BOLTS	Nm	CODE AISI 316L
26.9	25	106	50,5	23.7	51,5	52	1/4"	64	-	F.04	54	9	30x3	11	10	42	6	M5x16	15	103030C62510
26.9	25	106	50,5	23.7	51,5	52	1/4"	64	-	F.05	65	9	35x3	14	13	50	7	M6x16	15	103030C6251F
33.7	25	106	50,5	29.7	51,5	52	1/4"	64	-	F.04	54	9	30x3	11	10	42	6	M5x16	15	103030C62710
33.7	25	106	50,5	29.7	51,5	52	1/4"	64	-	F.05	65	9	35x3	14	13	50	7	M6x16	15	103030C6271F
33.7	32	112	50,5	29.7	56,5	60	1/4"	64	-	F.04	54	9	30x3	11	10	42	6	M5x16	18	103030C63110
33.7	32	112	50,5	29.7	56,5	60	1/4"	64	-	F.05	65	9	35x3	14	13	50	7	M6x16	18	103030C6311F
42.4	40	126	64	38.4	76	73	3/8"	64	-	F.05	65	12	35x4	14	13	50	7	M6X20	25	103030C63310
42.4	40	126	64	38.4	76	73	3/8"	64	-	F.07	90	12	55x4	17	15	70	9	M8x20	25	103030C6331F
48.3	40	126	64	44.3	76	73	3/8"	64	-	F.05	65	12	35x4	14	13	50	7	M6X20	25	103030C63710
48.3	40	126	64	44.3	76	73	3/8"	64	-	F.07	90	12	55x4	17	15	70	9	M8X20	25	103030C6371F
60.3	50	136	77.5	56.3	84	88	3/8"	40	-	F.05	65	12	35x4	14	13	50	7	M6x20	30	103030C64110
60.3	50	136	77.5	56.3	84	88	3/8"	40	-	F.07	90	12	55x4	17	15	70	9	M8x20	30	103030C6411F
76.1	65	154	91	72.1	94,5	113	1/2"	40	-	F.07	90	12	55x4	17	15	70	9	M8x20	45	103030C64710
76.1	65	154	91	72.1	94,5	113	1/2"	40	-	F.10	120	12	70x4	22	18	102	11	M10x25	45	103030C6471F
88.9	80	184	106	84.3	106	135	1/2"	40	-	F.07	90	12	55x4	17	15	70	9	M8x20	70	103030C65110
88.9	80	184	106	84.3	106	135	1/2"	40	-	F.10	120	12	70x4	22	18	102	11	M10x25	70	103030C6511F
114.3	100	190	130	109.7	120	167	1/2"	25	-	F.07	90	12	55x4	17	15	70	9	M8x20	80	103030C65310
114.3	100	190	130	109.7	120	167	1/2"	25	-	F.10	120	12	70x4	22	18	102	11	M10x25	80	103030C6531F



POSITION	DENOMINATION	PIECES	MATERIAL
1	Body	1	AISI 316L
2	Ball	1	AISI 316L
3	Sleeves	2	AISI 316L
4	Stem	1	AISI 316L
5	Ball Seals	2	PTFE Vergine Modificato
6	Sleeve Seals	2	PTFE
7	Stem Seal	1	PTFE
8	Stem Seal	1	PTFE
9	Stem or-Seal	1	FKM
10	Register ring	1	AISI 304L (303)
11	Locknut	1	AISI 303

