

## 103030C FOR DIN PIPE - HEATING JACKET



TWO-way ball valve with HEATING JACKET

Drive: ISO 5211 - DIN 3337 flange for actuator

Connection: **CLAMP normative DIN 32676 TAB.2 REIHE A**

**For TUBE according to normative DIN 11850**

Flow: Full and reduced

Material: Aisi 316L (1.4404)

Measure: from DN25 to DN100

Seals: Modified Virgin P.T.F.E.

Operating temperature: -20°C+170°C

Outer finish: Polished

Screws for mounting actuator included

On request:

Antistatic device ATEX:

II 2G Ex h IIC T4 Gb

II 2D Ex h IIIC T135°C Db

M.O.C.A. CE 1935/2004

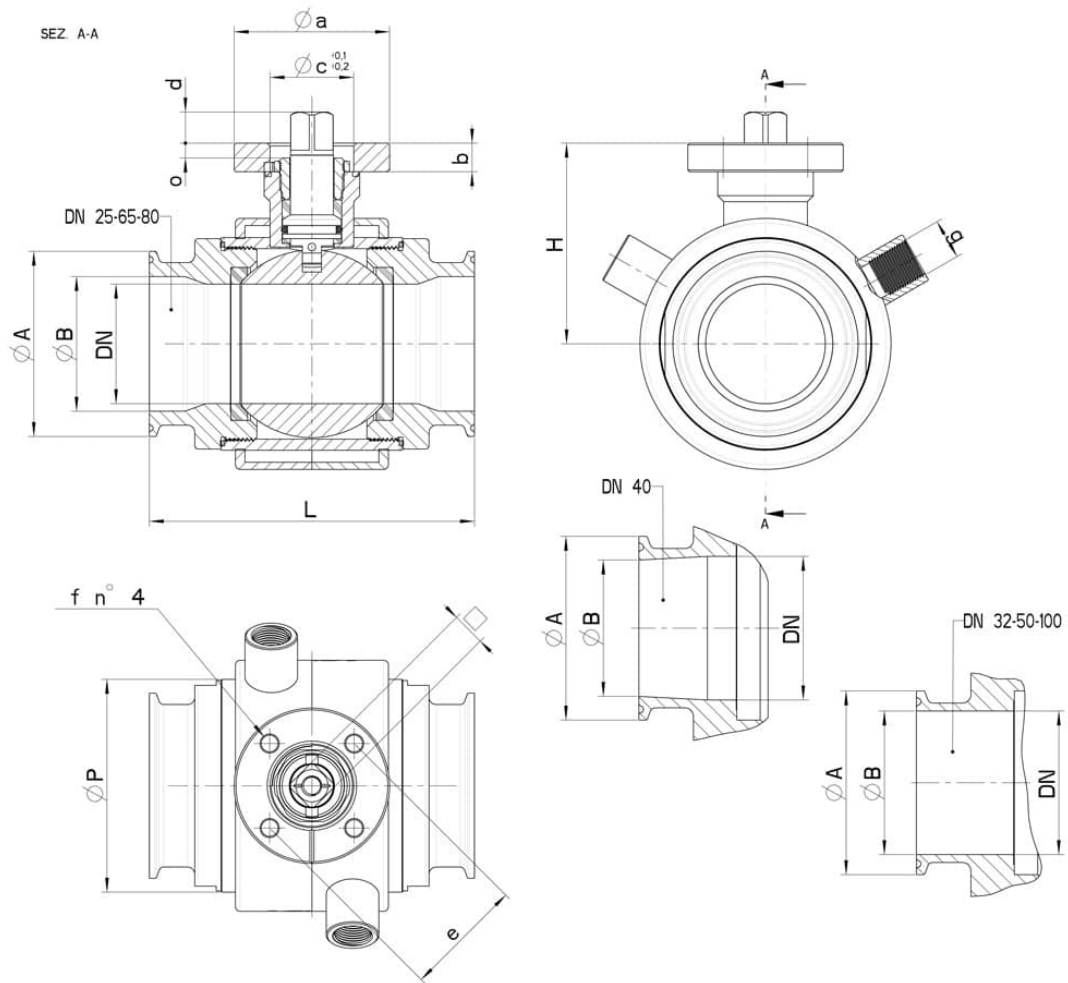
• Seals made of:

PTFE with glass -20°C+170°C

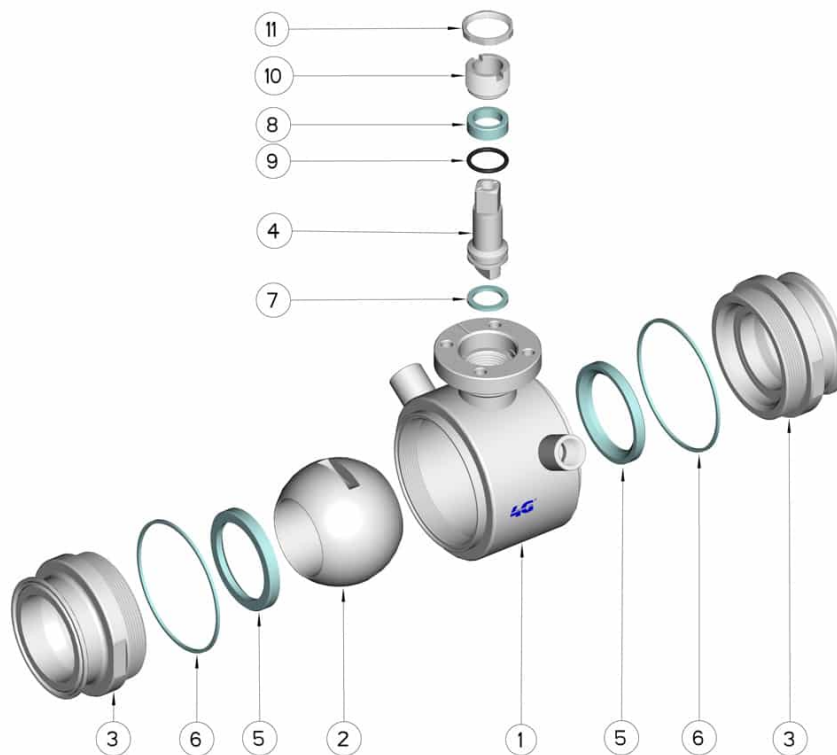
PTFE with carbographite -20°C+180°C

PTFE with inox -20°C+200°C

UHMW High-molecular weight polyethylene -20°C+80°C



CLAMP REIHE A DN	L	Ø A	Ø B	H	Ø P	g	PN	Kg	ISO-DIN	Ø a	b	Ø c x o	□	d	e	f	n° 4 Bolts	Nm	CODE AISI 316L
25	106	50,5	26	51,5	52	1/4"	64	-	F.04	54	9	30x3	11	10	42	6	M5x16	15	103030C62810
25	106	50,5	26	51,5	52	1/4"	64	-	F.05	65	9	35x3	14	13	50	7	M6x16	15	103030C6281F
32	112	50,5	32	56,5	60	1/4"	64	-	F.04	54	9	30x3	11	10	42	6	M5x16	18	103030C63010
32	112	50,5	32	56,5	60	1/4"	64	-	F.05	65	9	35x3	14	13	50	7	M6x16	18	103030C6301F
40	126	50,5	38	76	73	3/8"	64	-	F.05	65	12	35x4	14	13	50	7	M6x20	25	103030C63510
40	126	50,5	38	76	73	3/8"	64	-	F.07	90	12	55x4	17	15	70	9	M8x20	25	103030C6351F
50	136	64	50	84	88	3/8"	40	-	F.05	65	12	35x4	14	13	50	7	M6x20	30	103030C64010
50	136	64	50	84	88	3/8"	40	-	F.07	90	12	55x4	17	15	70	9	M8x20	30	103030C6401F
65	154	91	66	94,5	113	1/2"	40	-	F.07	90	12	55x4	17	15	70	9	M8x20	45	103030C64610
65	154	91	66	94,5	113	1/2"	40	-	F.10	125	12	70x4	22	18	102	11	M10x25	45	103030C6461F
80	184	106	81	106	135	1/2"	40	-	F.07	90	12	55x4	17	15	70	9	M8x20	70	103030C64910
80	184	106	81	106	135	1/2"	40	-	F.10	125	12	70x4	22	18	102	11	M10x25	70	103030C6491F
100	190	119	100	120	167	1/2"	25	-	F.07	90	12	55x4	17	15	70	9	M8x20	80	103030C65610
100	190	119	100	120	167	1/2"	25	-	F.10	125	12	70x4	22	18	102	11	M10x25	80	103030C6561F



Position	Denomination	PEZZI	MATERIAL
1	Body	1	AISI 316L
2	Ball	1	AISI 316L
3	Sleeves	2	AISI 316L
4	Stem	1	AISI 316L
5	Ball Seals	2	PTFE Vergine Modificato
6	Sleeve Seals	2	PTFE
7	Stem Seal	1	PTFE
8	Stem Seal	1	PTFE
9	Stem or-Seal	1	FKM
10	Register ring	1	AISI 304L (303)
11	Locknut	1	AISI 303

