

## 103030 FOR DIN PIPE



TWO-way ball valve

Drive: ISO 5211 - DIN 3337 flange for actuator

Connection: **CLAMP normative DIN 32676 TAB.2 REIHE A**  
**For TUBE according to normative DIN 11850**

Flow: Full and reduced

Material: Aisi 316L (1.4404)

Measure: from DN10 to DN100

Seals: Modified Virgin P.T.F.E.

Operating temperature: -20°C+170°C

Outer finish: Polished

Screws for mounting actuator included

On request:

Antistatic device ATEX:

II 2G Ex h IIC T4 Gb

II 2D Ex h IIIC T135°C Db

M.O.C.A. CE 1935/2004

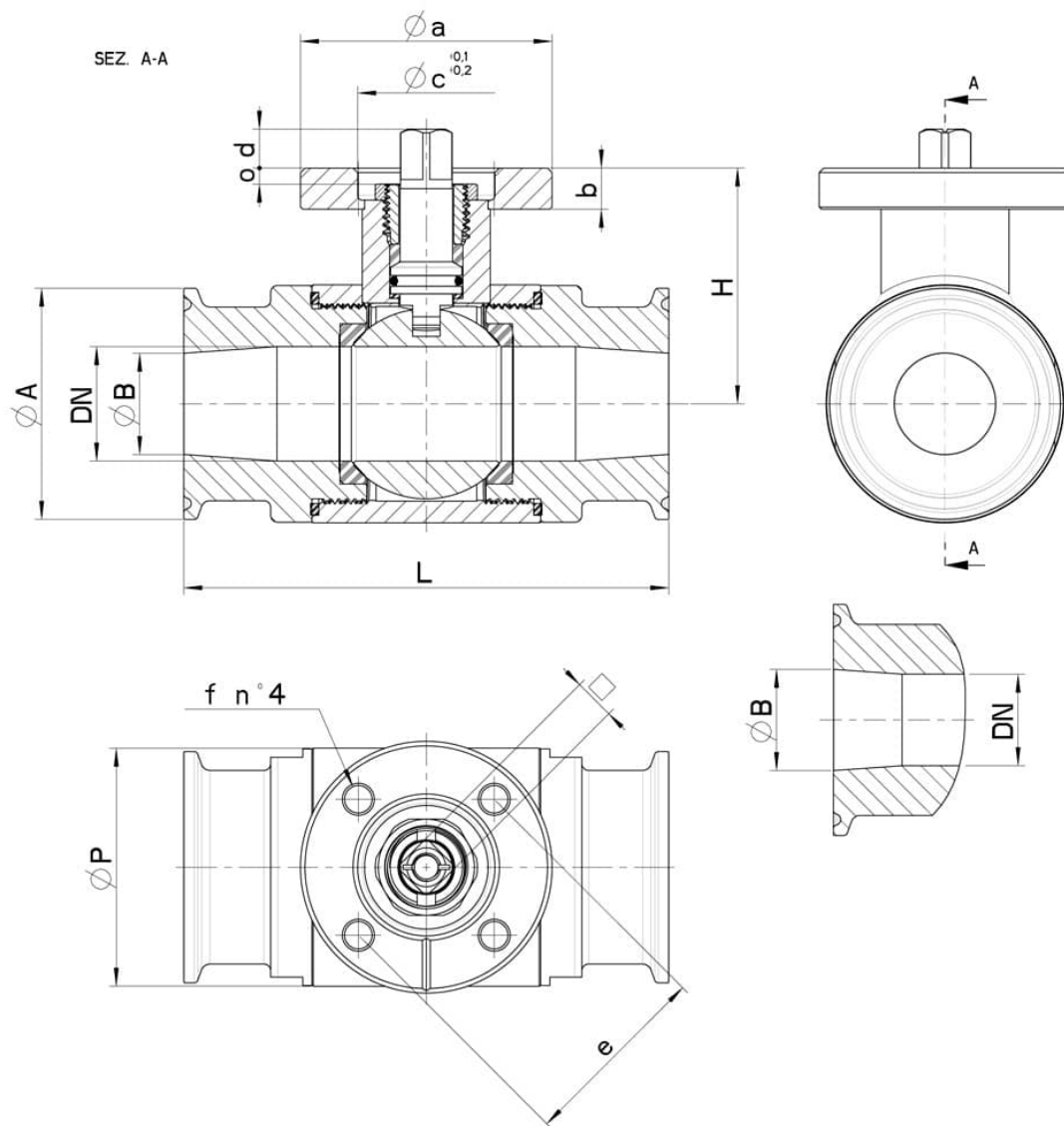
• Seals made of:

PTFE with glass -20°C+170°C

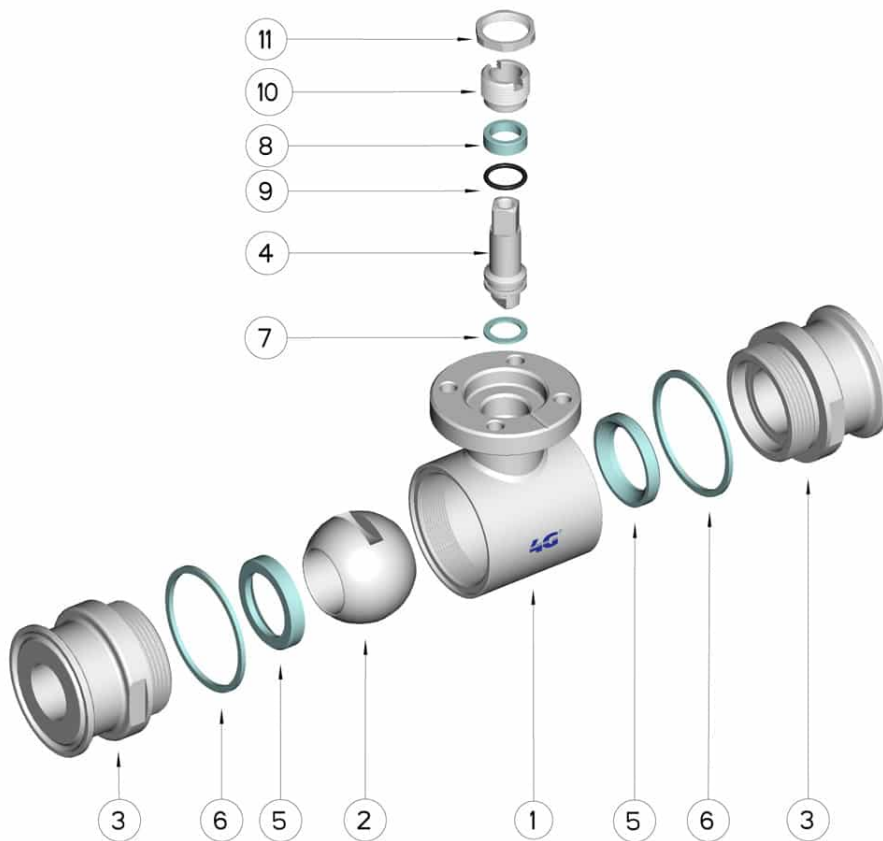
PTFE with carbographite -20°C+180°C

PTFE with inox -20°C+200°C

UHMW High-molecular weight polyethylene -20°C+80°C



CLAMP REIHE A DN	L	Ø A	Ø B	H	Ø P	PN	Kg	ISO-DIN	Ø a	b	Ø cxo	□	d	e	f	n° 4 BOLTS	Nm	CODE AISI 316L
10	88	34	10	39	30	100	0.44	F.03	46	9	25x3	9	8	36	6	M5x16	5	103030 61410
10	88	34	10	39	30	100	0.46	F.04	54	9	30x3	11	10	42	6	M5x16	5	103030 6141F
15	92	34	16	41,5	35	100	0.50	F.03	46	9	25x3	9	8	36	6	M5x16	8	103030 61910
15	92	34	16	41,5	35	100	0.54	F.04	54	9	30x3	11	10	42	6	M5x16	8	103030 6191F
20	102	34	20	45	42	100	0.95	F.03	46	9	25x3	9	8	36	6	M5x16	12	103030 62010
20	102	34	20	45	42	100	0.96	F.04	54	9	30x3	11	10	42	6	M5x16	12	103030 6201F
25	106	50,5	26	51,5	52	64	1.31	F.04	54	9	30x3	11	10	42	6	M5x16	15	103030 62810
25	106	50,5	26	51,5	52	64	1.36	F.05	65	9	35x3	14	13	50	7	M6x16	15	103030 6281F
32	112	50,5	32	56,5	60	64	1.42	F.04	54	9	30x3	11	10	42	6	M5x16	18	103030 63010
32	112	50,5	32	56,5	60	64	1.49	F.05	65	9	35x3	14	13	50	7	M6x16	18	103030 6301F
40	126	50,5	38	76	73	64	2.42	F.05	65	12	35X4	14	13	50	7	M6X20	25	103030 63510
40	126	50,5	38	76	73	64	2.57	F.07	90	12	55x4	17	15	70	9	M8x20	25	103030 6351F
50	136	64	50	84	88	40	3.44	F.05	65	12	35x4	14	13	50	7	M6x20	30	103030 64010
50	136	64	50	84	88	40	3.61	F.07	90	12	55x4	17	15	70	9	M8x20	30	103030 6401F
65	154	91	66	94,5	113	40	5.84	F.07	90	12	55x4	17	15	70	9	M8x20	45	103030 64610
65	154	91	66	94,5	113	40	6.34	F.10	120	12	70x4	22	18	102	11	M10x25	45	103030 6461F
80	184	106	81	106	135	40	8.9	F.07	90	12	55x4	17	15	70	9	M8x20	70	103030 64910
80	184	106	81	106	135	40	9.4	F.10	120	12	70x4	22	18	102	11	M10x25	70	103030 6491F
100	190	119	100	120	167	25	13.33	F.07	90	12	55x4	17	15	70	9	M8x20	80	103030 65610
100	190	119	100	120	167	25	13.83	F.10	120	12	70x4	22	18	102	11	M10x25	80	103030 6561F



POSITION	DENOMINATION	PIECES	MATERIAL
1	Body	1	AISI 316L
2	Ball	1	AISI 316L
3	Sleeves	2	AISI 316L
4	Stem	1	AISI 316L
5	Ball Seals	2	PTFE
6	Sleeve Seals	2	PTFE
7	Stem Seal	1	PTFE
8	Stem Seal	1	PTFE
9	Stem or-Seal	1	FKM
10	Register ring	1	AISI 303
11	Locknut	1	AISI 303

