

103027C STANDARD SEALS - M/M DIN 11851 - HEATING JACKET



TWO-way ball valve with HEATING JACKET

Drive: ISO 5211 - DIN 3337 flange for actuator

Connection: DIN 11851 male/male

Flow: Full

Material: Aisi 304L (1.4307) - Aisi 316L (1.4404)

Measure: from DN25 to DN 100

Seals: Modified Virgin P.T.F.E.

Operating temperature: -20°C+170°C

Outer finish: Polished

Screws for mounting actuator included

On request:

Antistatic device ATEX:

II 2G Ex h IIC T4 Gb

II 2D Ex h IIIC T135°C Db

M.O.C.A. CE 1935/2004

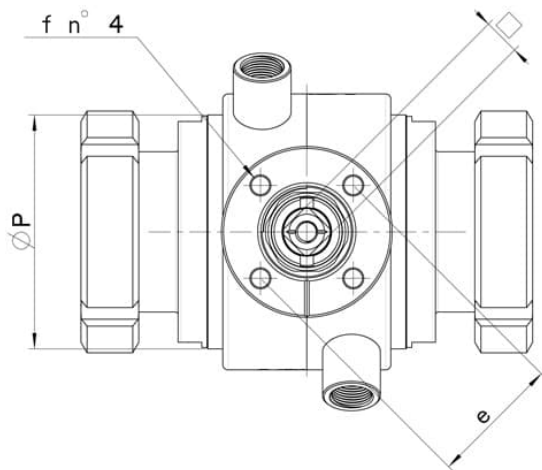
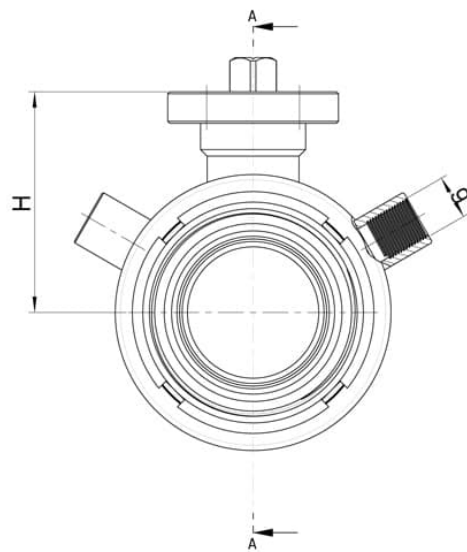
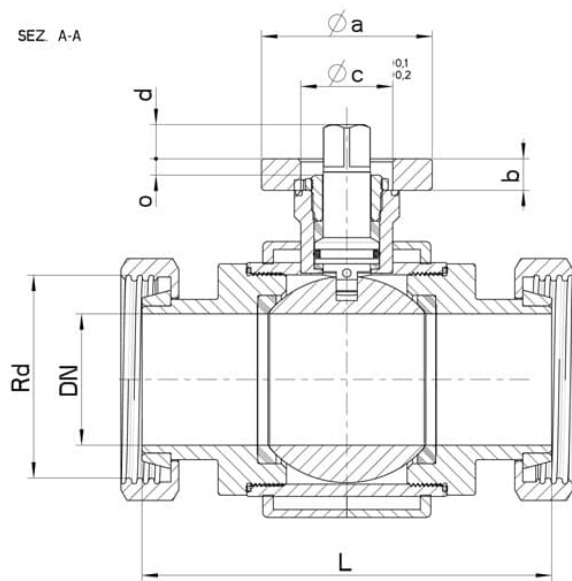
• Seals made of:

PTFE with glass -20°C+170°C

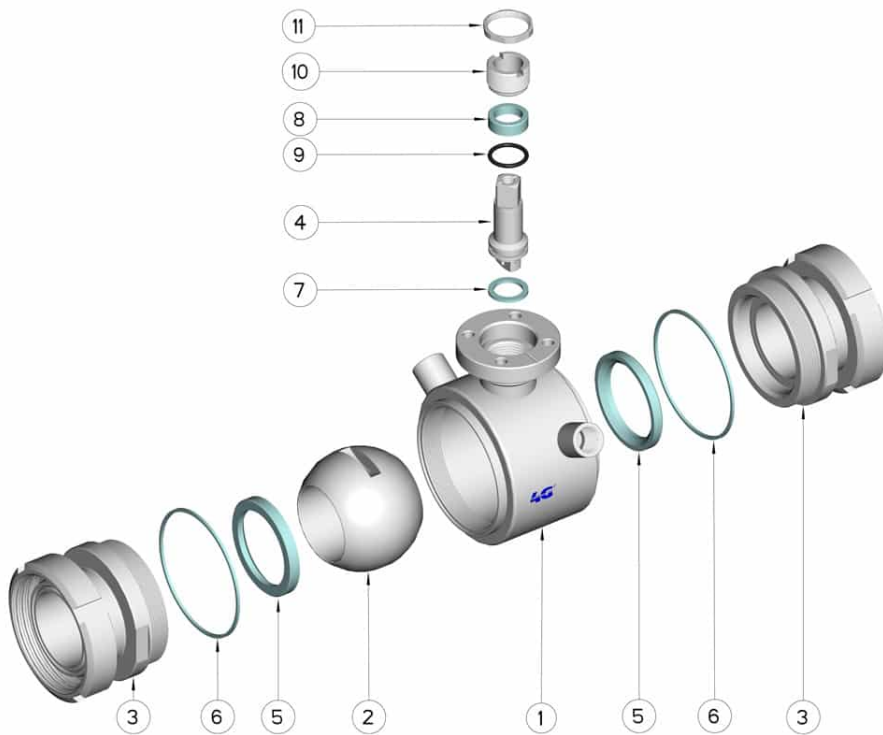
PTFE with carbographite -20°C+180°C

PTFE with inox -20°C+200°C

UHMW High-molecular weight polyethylene -20°C+80°C



DN	Rd	L	H	ØP	g	PN	Kg	ISO-DIN	Ø a	b	Ø c x o	□	d	e	f	n° 4 BOLTS	Nm	CODE AISI 304L	CODE AISI 316L
25	52 x 1/6"	124	51,5	52	1/4"	64	-	F.04	54	9	30x3	11	10	42	6	M5x16	15	-	103027C62610
25	52 x 1/6"	124	51,5	52	1/4"	64	-	F.05	65	9	35x3	14	13	50	7	M6x16	15	-	103027C6261F
32	58 x 1/6"	130	56,5	60	1/4"	64	-	F.04	54	9	30x3	11	10	42	6	M5x16	18	-	103027C63010
32	58 x 1/6"	130	56,5	60	1/4"	64	-	F.05	65	9	35x3	14	13	50	7	M6x16	18	-	103027C6301F
40	65 x 1/6"	144	76	73	3/8"	64	-	F.05	65	12	35x4	14	13	50	7	M6x20	25	-	103027C63410
40	65 x 1/6"	144	76	73	3/8"	64	-	F.07	90	12	55x4	17	15	70	9	M8x20	25	-	103027C6341F
50	78 x 1/6"	156	84	88	3/8"	40	-	F.05	65	12	35x4	14	13	50	7	M6x20	30	-	103027C63810
50	78 x 1/6"	156	84	88	3/8"	40	-	F.07	90	12	55x4	17	15	70	9	M8x20	30	-	103027C6381F
65	95 x 1/6"	172	94,5	113	1/2"	40	-	F.07	90	12	55x4	17	15	70	9	M8x20	45	-	103027C64410
65	95 x 1/6"	172	94,5	113	1/2"	40	-	F.10	120	12	70x4	22	18	102	11	M10x25	45	-	103027C6441F
80	110 x 1/4"	194	106	135	1/2"	40	-	F.07	90	12	55x4	17	15	70	9	M8x20	70	103027C44810	103027C64810
80	110 x 1/4"	194	106	135	1/2"	40	-	F.10	120	12	70x4	22	18	102	11	M10x25	70	103027C4481F	103027C6481F
100	130 x 1/4"	206	120	167	1/2"	25	-	F.07	90	12	55x4	17	15	70	9	M8x20	80	103027C45410	103027C65410
100	130 x 1/4"	206	120	167	1/2"	25	-	F.10	120	12	70x4	22	18	102	11	M10x25	80	103027C4541F	103027C6541F



POSITION	DENOMINATION	PIECES	MATERIAL
1	Body	1	AISI (304L) 316L
2	Ball	1	AISI (304L) 316L
3	Sleeves	2	AISI (304L) 316L
4	Stem	1	AISI (304L) 316L
5	Ball Seals	2	PTFE
6	Sleeve Seals	2	PTFE
7	Stem Seal	1	PTFE
8	Stem Seal	1	PTFE
9	Stem or-Seal	1	FKM
10	Register ring	1	AISI 303
11	Locknut	1	AISI 303

