

## 103027 STANDARD SEALS - M/M DIN 11851



TWO-way ball valve

Drive: ISO 5211 - DIN 3337 flange for actuator

Connection: DIN 11851 male/male

Flow: Full

Material: Aisi 304L (1.4307) - Aisi 316L (1.4404)

Measure: from DN 10 to DN 100

Seals: Modified Virgin P.T.F.E.

Operating temperature: -20°C+170°C

Outer finish: Polished

Screws for mounting actuator included

On request:

Antistatic device ATEX:

II 2G Ex h IIC T4 Gb

II 2D Ex h IIIC T135°C Db

M.O.C.A. CE 1935/2004

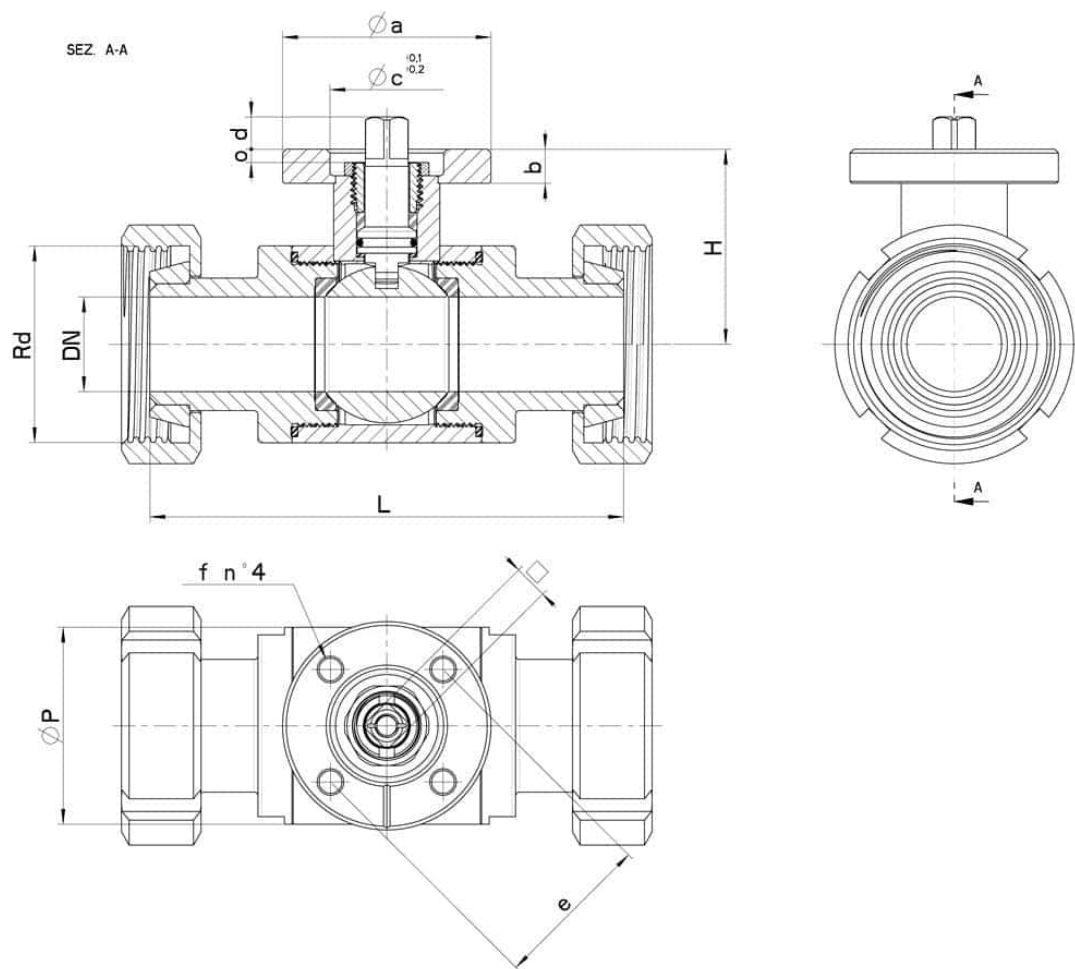
• Seals made of:

PTFE with glass -20°C+170°C

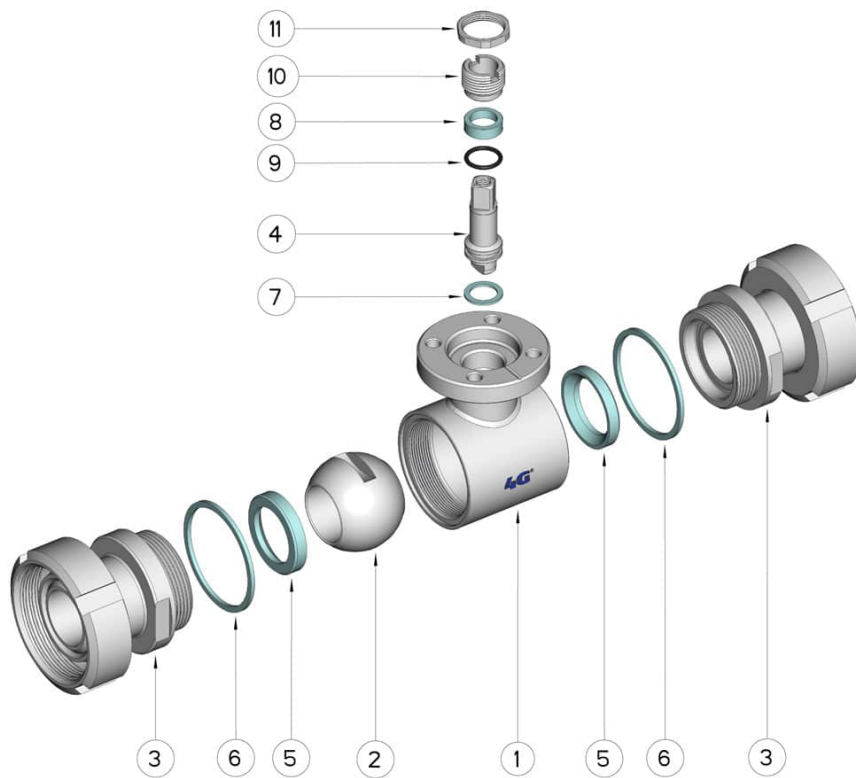
PTFE with carbographite -20°C+180°C

PTFE with inox -20°C+200°C

UHMW High-molecular weight polyethylene -20°C+80°C



DN	Rd	L	H	ØP	PN	Kg	ISO-DIN	Ø a	b	Ø c x o	□	d	e	f	n° 4 Bolts	Nm	CODE AISI 304L	CODE AISI 316L
10	28 x 1/8"	100	39	30	100	-	F.03	46	9	25x3	9	8	36	6	M5x16	5	-	103027 60810
10	28 x 1/8"	100	39	30	100	-	F.04	54	9	30x3	11	10	42	6	M5x16	5	-	103027 6081F
15	34 x 1/8"	104	41,5	35	100	-	F.03	46	9	25x3	9	8	36	6	M5x16	8	-	103027 61410
15	34 x 1/8"	104	41,5	35	100	-	F.04	54	9	30x3	11	10	42	6	M5x16	8	-	103027 6141F
20	44 x 1/6"	118	45	42	100	-	F.03	46	9	25x3	9	8	36	6	M5x16	12	-	103027 62010
20	44 x 1/6"	118	45	42	100	1,160	F.04	54	9	30x3	11	10	42	6	M5x16	12	-	103027 6201F
25	52 x 1/6"	124	51,5	52	64	1,640	F.04	54	9	30x3	11	10	42	6	M5x16	15	-	103027 62610
25	52 x 1/6"	124	51,5	52	64	1,700	F.05	65	9	35x3	14	13	50	7	M6x16	15	-	103027 6261F
32	58 x 1/6"	130	56,5	60	64	-	F.04	54	9	30x3	11	10	42	6	M5x16	18	-	103027 63010
32	58 x 1/6"	130	56,5	60	64	2,380	F.05	65	9	35x3	14	13	50	7	M6x16	18	-	103027 6301F
40	65 x 1/6"	144	76	73	64	3,020	F.05	65	12	35x4	14	13	50	7	M6x20	25	-	103027 63410
40	65 x 1/6"	144	76	73	64	-	F.07	90	12	55x4	17	15	70	9	M8x20	25	-	103027 6341F
50	78 x 1/6"	156	84	88	40	4,415	F.05	65	12	35x4	14	13	50	7	M6x20	30	-	103027 63810
50	78 x 1/6"	156	84	88	40	-	F.07	90	12	55x4	17	15	70	9	M8x20	30	-	103027 6381F
65	95 x 1/6"	172	94,5	113	40	7,600	F.07	90	12	55x4	17	15	70	9	M8x20	45	-	103027 64410
65	95 x 1/6"	172	94,5	113	40	-	F.10	125	12	70x4	22	18	102	11	M10x25	45	-	103027 6441F
80	110 x 1/4"	194	106	135	40	11,000	F.07	90	12	55x4	17	15	70	9	M8x20	70	103027 44810	103027 64810
80	110 x 1/4"	194	106	135	40	-	F.10	125	12	70x4	22	18	102	11	M10x25	70	103027 4481F	103027 6481F
100	130 x 1/4"	206	120	167	25	16,74	F.07	90	12	55x4	17	15	70	9	M8x20	80	103027 45410	103027 65410
100	130 x 1/4"	206	120	167	25	19,000	F.10	125	12	70x4	22	18	102	11	M10x25	80	103027 4541F	103027 6541F



Position	Denomination	PEZZI	MATERIAL
1	Body	1	AISI (304L) 316L
2	Ball	1	AISI (304L) 316L
3	Sleeves	2	AISI (304L) 316L
4	Stem	1	AISI (304L) 316L
5	Ball Seals	2	PTFE Vergine Modificato
6	Sleeve Seals	2	PTFE
7	Stem Seal	1	PTFE
8	Stem Seal	1	PTFE
9	Stem or-Seal	1	FKM
10	Register ring	1	AISI 304L (303)
11	Locknut	1	AISI 303

