

103026 STANDARD SEALS - F/M DIN 11851



TWO-way ball valve

Drive: ISO 5211 - DIN 3337 flange for actuator

Connection: DIN 11851 female/male

Flow: Full

Material: Aisi 304L (1.4307) - Aisi 316L (1.4404)

Measure: from DN 10 to DN 100

Seals: Modified Virgin P.T.F.E.

Operating temperature: -20°C+170°C

Outer finish: Polished

Screws for mounting actuator included

On request:

Antistatic device ATEX:

II 2G Ex h IIC T4 Gb

II 2D Ex h IIIC T135°C Db

M.O.C.A. CE 1935/2004

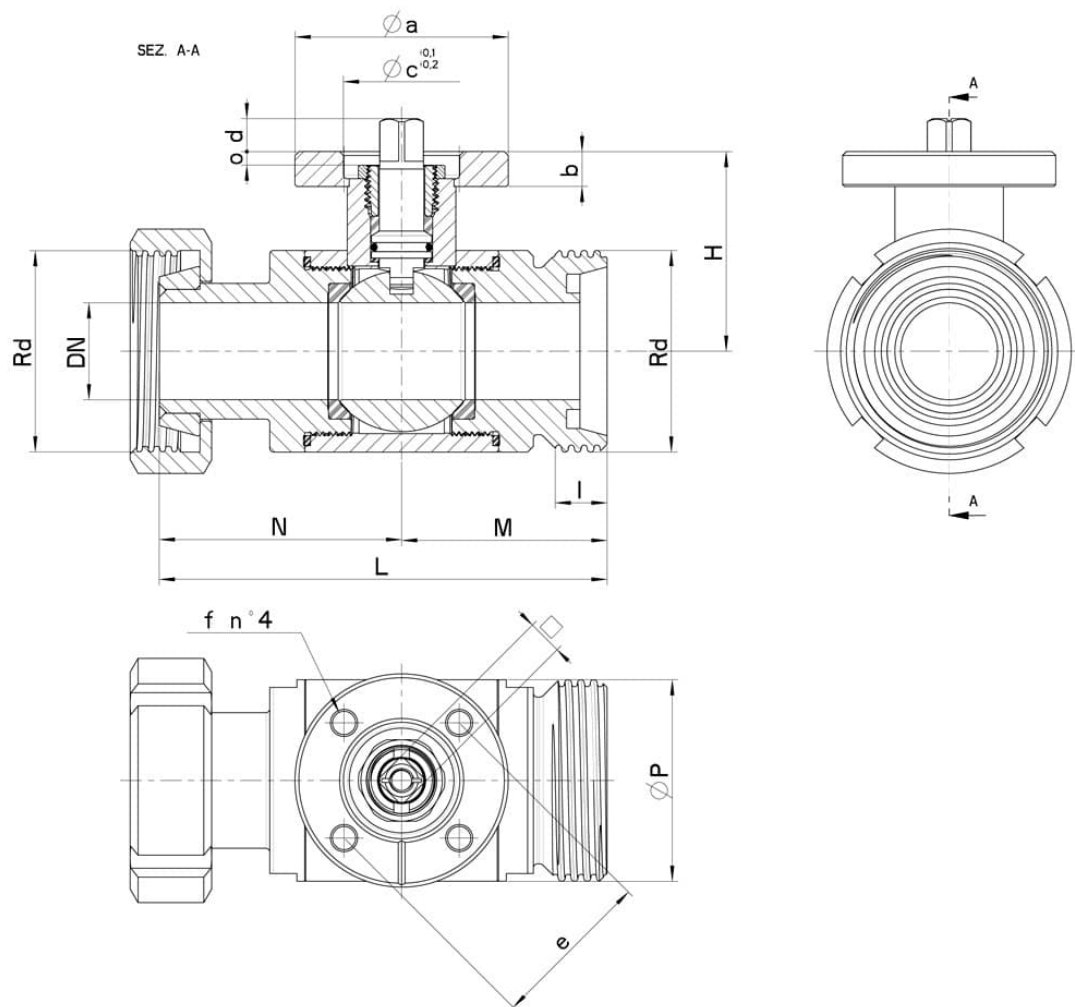
• Seals made of:

PTFE with glass -20°C+170°C

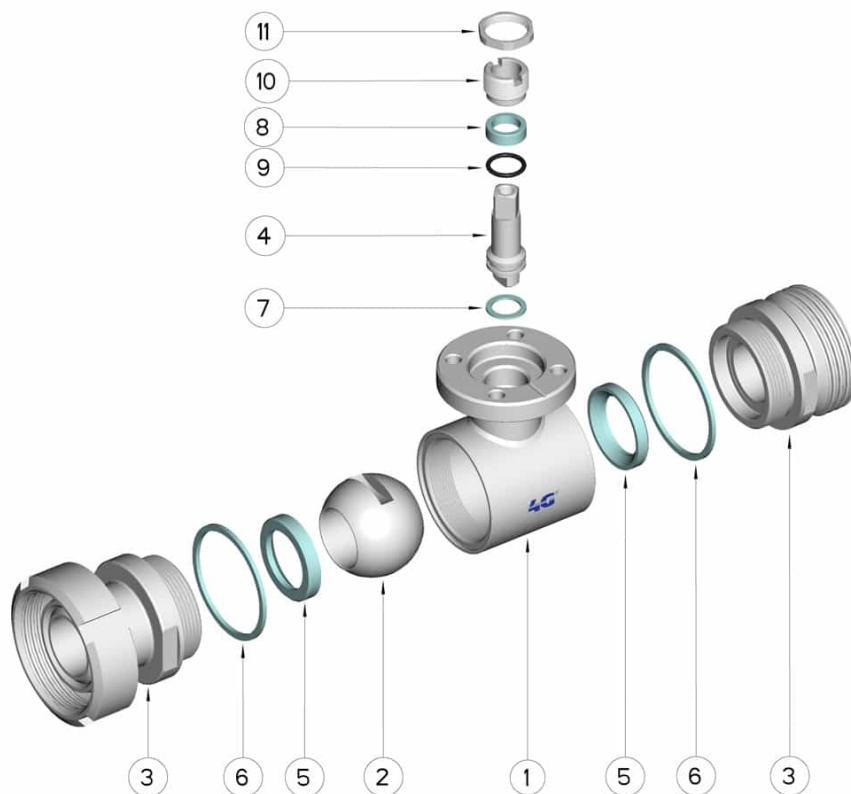
PTFE with carbographite -20°C+180°C

PTFE with inox -20°C+200°C

UHMW High-molecular weight polyethylene -20°C+80°C



DN	Rd	L	M	N	I	H	Ø P	PN	Kg	ISO-DIN	Ø a	b	Ø c x o	□	d	e	f	n° 4 Bolts	Nm	CODE AISI 304L	CODE AISI 316L
10	28 x 1/8"	94	44	50	12	39	30	100	0,51	F.03	46	9	25x3	9	8	36	6	M5x16	5	-	103026 60810
10	28 x 1/8"	94	44	50	12	39	30	100	0,56	F.04	54	9	30x3	11	10	42	6	M5x16	5	-	103026 6081F
15	34 x 1/8"	98	46	52	12	41,5	35	100	0,66	F.03	46	9	25x3	9	8	36	6	M5x16	8	-	103026 61410
15	34 x 1/8"	98	46	52	12	41,5	35	100	0,70	F.04	54	9	30x3	11	10	42	6	M5x16	8	-	103026 6141F
20	44 x 1/6"	110	51	59	14	45	42	100	0,94	F.03	46	9	25x3	9	8	36	6	M5x16	12	-	103026 62010
20	44 x 1/6"	110	51	59	14	45	42	100	0,98	F.04	54	9	30x3	11	10	42	6	M5x16	12	-	103026 6201F
25	52 x 1/6"	115	53	62	14	51,5	52	64	1,40	F.04	54	9	30x3	11	10	42	6	M5x16	15	-	103026 62610
25	52 x 1/6"	115	53	62	14	51,5	52	64	1,45	F.05	65	9	35x3	14	13	50	7	M6x16	15	-	103026 6261F
32	58 x 1/6"	121	56	65	14	56,5	60	64	1,73	F.04	54	9	30x3	11	10	42	6	M5x16	18	-	103026 63010
32	58 x 1/6"	121	56	65	14	56,5	60	64	1,80	F.05	65	9	35x3	14	13	50	7	M6x16	18	-	103026 6301F
40	65 x 1/6"	135	63	72	14	76	73	64	2,76	F.05	65	12	35x4	14	13	50	7	M6x20	25	-	103026 63410
40	65 x 1/6"	135	63	72	14	76	73	64	2,93	F.07	90	12	55x4	17	15	70	9	M8x20	25	-	103026 6341F
50	78 x 1/6"	146	68	78	14	84	88	40	4,03	F.05	65	12	35x4	14	13	50	7	M6x20	30	-	103026 63810
50	78 x 1/6"	146	68	78	14	84	88	40	4,26	F.07	90	12	55x4	17	15	70	9	M8x20	30	-	103026 6381F
65	95 x 1/6"	163	77	86	16	94,5	113	40	6,85	F.07	90	12	55x4	17	15	70	9	M8x20	45	-	103026 64410
65	95 x 1/6"	163	77	86	16	94,5	113	40	7,25	F.10	125	12	70x4	22	18	102	11	M10x25	45	-	103026 6441F
80	110 x 1/4"	189	92	97	20	106	135	40	9,95	F.07	90	12	55x4	17	15	70	9	M8x20	70	103026 44810	103026 64810
80	110 x 1/4"	189	92	97	20	106	135	40	10,44	F.10	125	12	70x4	22	18	102	11	M10x25	70	103026 4481F	103026 6481F
100	130 x 1/4"	198	95	103	20	120	167	25	14,00	F.07	90	12	55x4	17	15	70	9	M8x20	80	103026 45410	103026 65410
100	130 x 1/4"	198	95	103	20	120	167	25	14,51	F.10	125	12	70x4	22	18	102	11	M10x25	80	103026 4541F	103026 6541F



Position	Denomination	PEZZI	MATERIAL
1	Body	1	AISI (304L) 316L
2	Ball	1	AISI (304L) 316L
3	Sleeves	2	AISI (304L) 316L
4	Stem	1	AISI (304L) 316L
5	Ball Seals	2	PTFE Vergine Modificato
6	Sleeve Seals	2	PTFE
7	Stem Seal	1	PTFE
8	Stem Seal	1	PTFE
9	Stem or-Seal	1	FKM
10	Register ring	1	AISI 304L (303)
11	Locknut	1	AISI 303

