

103025C STANDARD SEALS - F/F DIN 11851 - HEATING JACKET



Two-way ball valve with HEATING JACKET
Drive: ISO 5211 - DIN 3337 flange for actuator
Connection: DIN 11851 female/female
Flow: full
Material: Aisi 304L (1.4307) - Aisi 316L (1.4404)
Measure: from DN25 to DN100
Seals: Modified Virgin P.T.F.E.
Operating temperature: -20°C+170°C
Outer finish: Polished
Screws for mounting actuator included

On request:

Antistatic device ATEX:

II 2G Ex h IIC T4 Gb

II 2D Ex h IIIC T135°C Db

M.O.C.A. CE 1935/2004

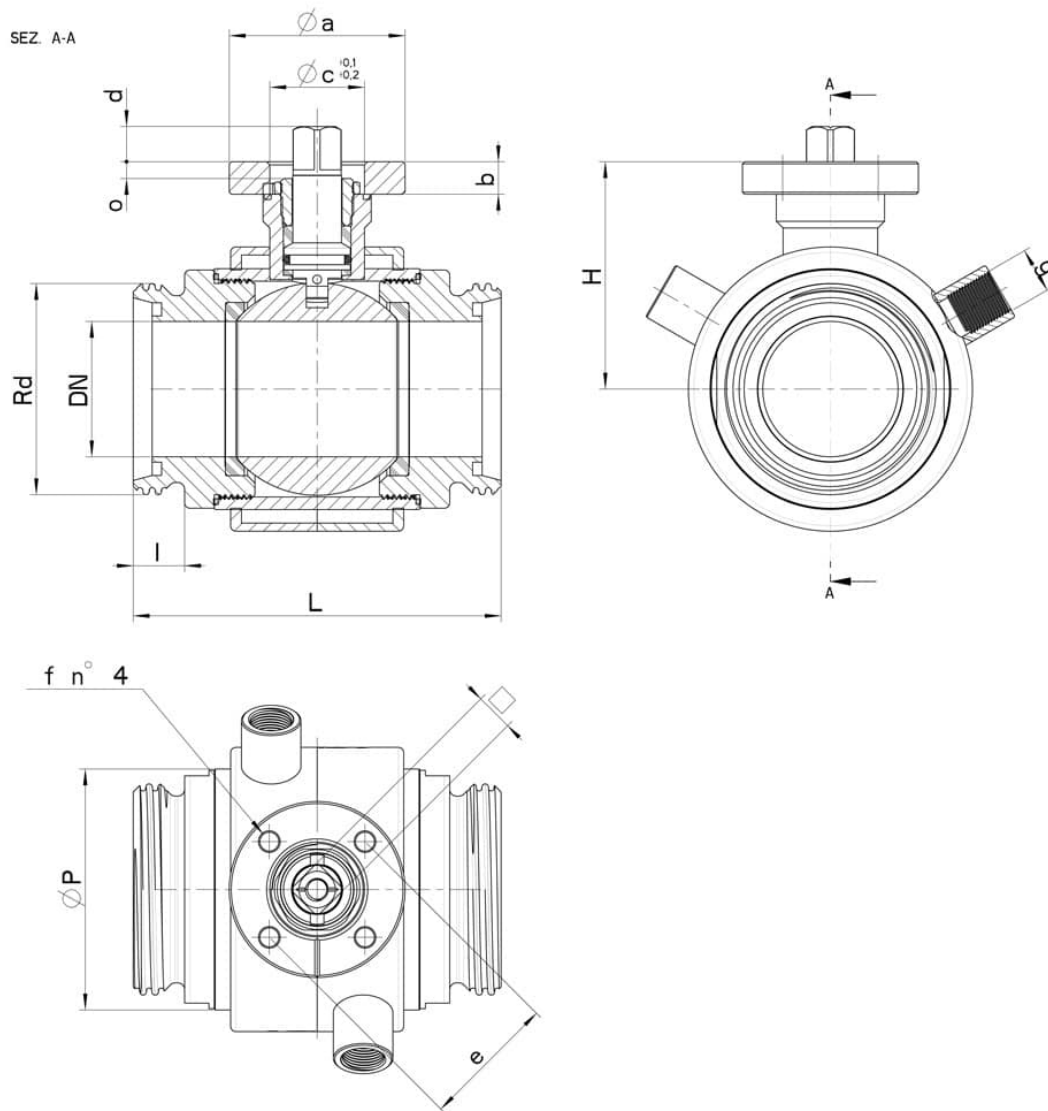
• Seals made of:

PTFE with glass -20°C+170°C

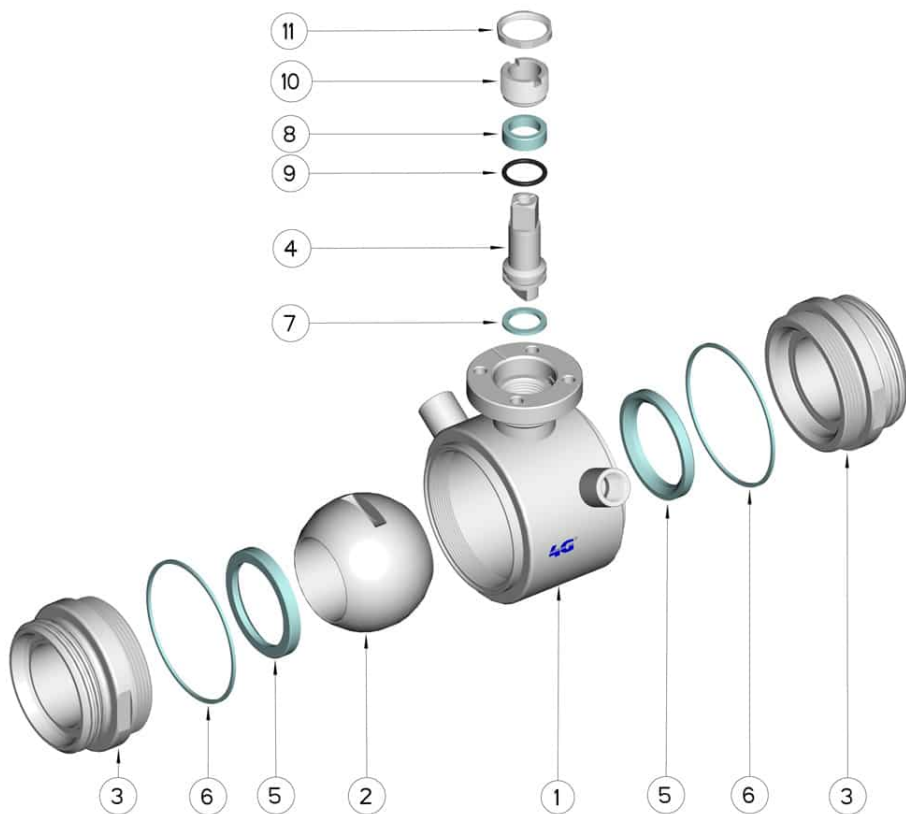
PTFE with carbographite -20°C+180°C

PTFE with inox -20°C+200°C

UHMW High-molecular weight polyethylene -20°C+80°C



DIN	DN	Rd	L	I	H	Ø P	g	PN	Kg	ISO-DIN	Ø a	b	Ø c x o	□	d	e	f	n° 4 BOLTS	Nm	CODE AISI 304L	CODE AISI 316L
25	25	52 x 1/6"	106	14	51,5	52	1/4"	64	1,30	F.04	54	9	30x3	11	10	42	6	M5x16	15	-	103025C62610
25	25	52 x 1/6"	106	14	51,5	52	1/4"	64	1,56	F.05	65	9	35x3	14	13	50	7	M6x16	15	-	103025C6261F
32	32	58 x 1/6"	112	14	56,5	60	1/4"	64	-	F.04	54	9	30x3	11	10	42	6	M5x16	18	-	103025C63010
32	32	58 x 1/6"	112	14	56,5	60	1/4"	64	-	F.05	65	9	35x3	14	13	50	7	M6x16	18	-	103025C6301F
40	40	65 x 1/6"	126	14	76	73	3/8"	64	3,20	F.05	65	12	35X4	14	13	50	7	M6X20	25	-	103025C63410
40	40	65 x 1/6"	126	14	76	73	3/8"	64	3,45	F.07	90	12	55x4	17	15	70	9	M8x20	25	-	103025C6341F
50	50	78 x 1/6"	136	14	84	88	3/8"	40	4,32	F.05	65	12	35x4	14	13	50	7	M6x20	30	-	103025C63810
50	50	78 x 1/6"	136	14	84	88	3/8"	40	-	F.07	90	12	55x4	17	15	70	9	M8x20	30	-	103025C6381F
65	65	95 x 1/6"	154	16	94,5	113	1/2"	40	7,22	F.07	90	12	55x4	17	15	70	9	M8x20	45	-	103025C64410
65	65	95 x 1/6"	154	16	94,5	113	1/2"	40	-	F.10	125	12	70x4	22	18	102	11	M10x25	45	-	103025C6441F
80	80	110 x 1/4"	184	20	106	135	1/2"	40	11,44	F.07	90	12	55x4	17	15	70	9	M8x20	70	103025C44810	103025C64810
80	80	110 x 1/4"	184	20	106	135	1/2"	40	-	F.10	125	12	70x4	22	18	102	11	M10x25	70	103025C4481F	103025C6481F
100	100	130 x 1/4"	190	20	120	167	1/2"	25	-	F.07	90	12	55x4	17	15	70	9	M8x20	80	103025C45410	103025C65410
100	100	130 x 1/4"	190	20	120	167	1/2"	25	16	F.10	120	12	70x4	22	18	102	11	M10x25	80	103025C4541F	103025C6541F
125	Reduced 100	160 x 1/4"	202	33	120	167	1/2"	25	-	F.07	90	12	55x4	17	15	70	9	M8x20	80	103025C45510	103025C65510
125	Reduced 100	160 x 1/4"	202	33	120	167	1/2"	25	-	F.10	125	12	70x4	22	18	102	11	M10x25	80	103025C4551F	103025C6551F



POSITION	DENOMINATION	PIECES	MATERIAL
1	Body	1	AISI (304L) 316L
2	Ball	1	AISI (304L) 316L
3	Sleeves	2	AISI (304L) 316L
4	Stem	1	AISI (304L) 316L
5	Ball Seals	2	PTFE
6	Sleeve Seals	2	PTFE
7	Stem Seal	1	PTFE
8	Stem Seal	1	PTFE
9	Stem or-Seal	1	FKM
10	Register ring	1	AISI 303
11	Locknut	1	AISI 303

