

103025 STANDARD SEALS - F/F DIN 11851



Two-way ball valve
Drive: ISO 5211 - DIN 3337 flange for actuator
Connection: DIN 11851 female/female
Flow: full
Material: Aisi 304L (1.4307) - Aisi 316L (1.4404)
Measure: from DN10 to DN100
Seals: Modified Virgin P.T.F.E.
Operating temperature: -20°C+170°C
Outer finish: Polished
Screws for mounting actuator included

On request:

Antistatic device ATEX:

II 2G Ex h IIC T4 Gb

II 2D Ex h IIIC T135°C Db

M.O.C.A. CE 1935/2004

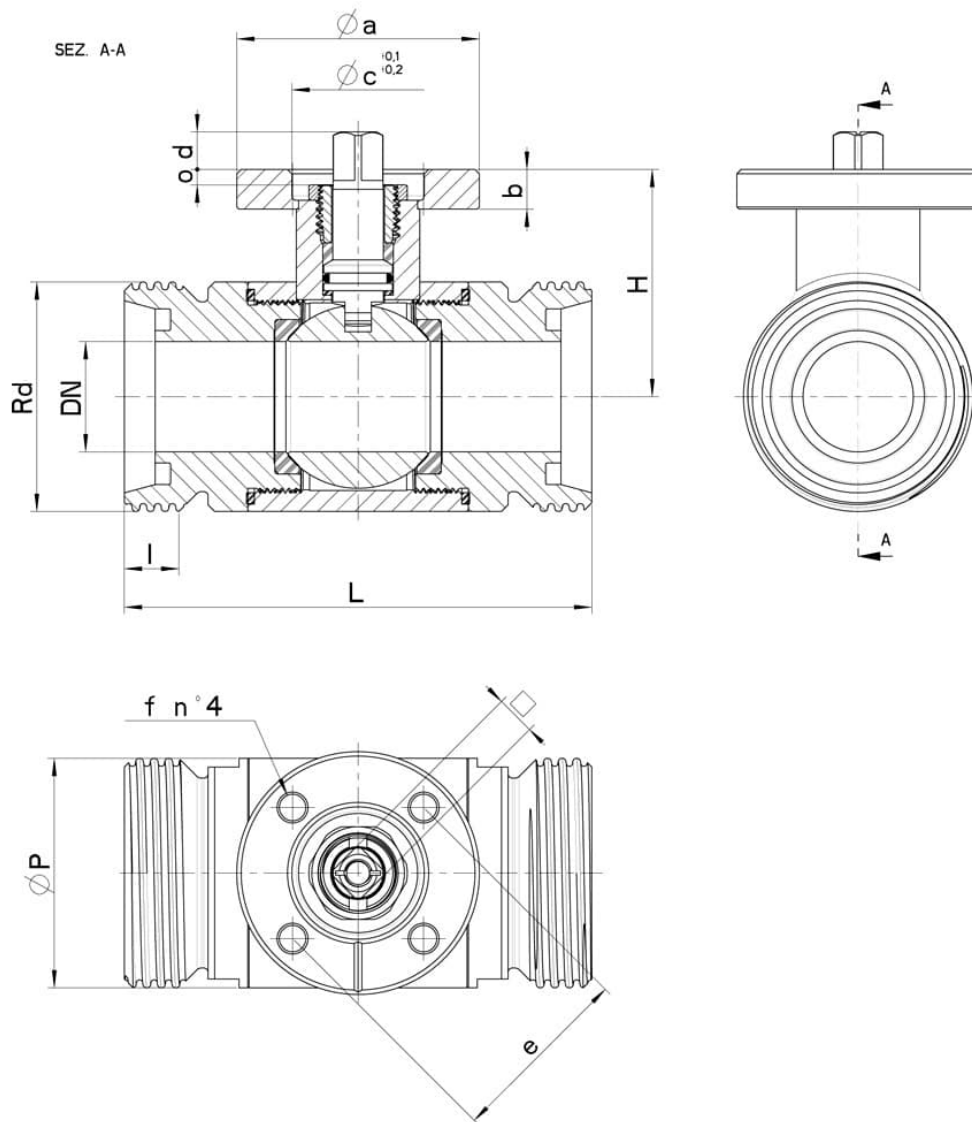
• Seals made of:

PTFE with glass -20°C+170°C

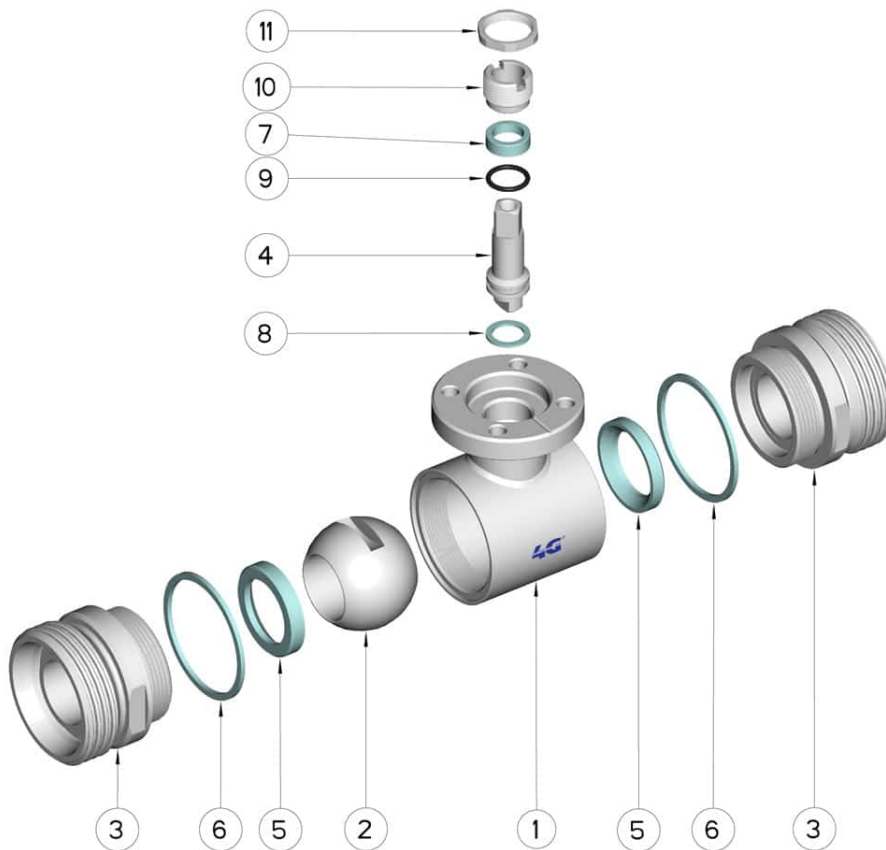
PTFE with carbographite -20°C+180°C

PTFE with inox -20°C+200°C

UHMW High-molecular weight polyethylene -20°C+80°C



DIN	DN	Rd	L	I	H	Ø P	PN	Kg	ISO-DIN	Ø a	b	Ø c x o	□	d	e	f	n° 4 BOLTS	Nm	CODE AISI 304L	CODE AISI 316L
10	10	28 x 1/8"	88	12	39	30	100	0,46	F.03	46	9	25x3	9	8	36	6	M5x16	5	-	103025 60810
10	10	28 x 1/8"	88	12	39	30	100	0,50	F.04	54	9	30x3	11	10	42	6	M5x16	5	-	103025 6081F
15	15	34 x 1/8"	92	12	41,5	35	100	0,58	F.03	46	9	25x3	9	8	36	6	M5x16	8	-	103025 61410
15	15	34 x 1/8"	92	12	41,5	35	100	0,62	F.04	54	9	30x3	11	10	42	6	M5x16	8	-	103025 6141F
20	20	44 x 1/6"	102	14	45	42	100	0,83	F.03	46	9	25x3	9	8	36	6	M5x16	12	-	103025 62010
20	20	44 x 1/6"	102	14	45	42	100	0,87	F.04	54	9	30x3	11	10	42	6	M5x16	12	-	103025 6201F
25	25	52 x 1/6"	106	14	51,5	52	64	1,25	F.04	54	9	30x3	11	10	42	6	M5x16	15	-	103025 62610
25	25	52 x 1/6"	106	14	51,5	52	64	1,30	F.05	65	9	35x3	14	13	50	7	M6x16	15	-	103025 6261F
32	32	58 x 1/6"	112	14	56,5	60	64	1,51	F.04	54	9	30x3	11	10	42	6	M5x16	18	-	103025 63010
32	32	58 x 1/6"	112	14	56,5	60	64	1,58	F.05	65	9	35x3	14	13	50	7	M6x16	18	-	103025 6301F
40	40	65 x 1/6"	126	14	76	73	64	2,55	F.05	65	12	35x4	14	13	50	7	M6x20	25	-	103025 63410
40	40	65 x 1/6"	126	14	76	73	64	2,70	F.07	90	12	55x4	17	15	70	9	M8x20	25	-	103025 6341F
50	50	78 x 1/6"	136	14	84	88	40	3,69	F.05	65	12	35x4	14	13	50	7	M6x20	30	-	103025 63810
50	50	78 x 1/6"	136	14	84	88	40	3,85	F.07	90	12	55x4	17	15	70	9	M8x20	30	-	103025 6381F
65	65	95 x 1/6"	154	16	94,5	113	40	6,22	F.07	90	12	55x4	17	15	70	9	M8x20	45	-	103025 64410
65	65	95 x 1/6"	154	16	94,5	113	40	6,72	F.10	125	12	70x4	22	18	102	11	M10x25	45	-	103025 6441F
80	80	110 x 1/4"	184	20	106	135	40	9,23	F.07	90	12	55x4	17	15	70	9	M8x20	70	103025 44810	103025 64810
80	80	110 x 1/4"	184	20	106	135	40	9,73	F.10	125	12	70x4	22	18	102	11	M10x25	70	103025 4481F	103025 6481F
100	100	130 x 1/4"	190	20	120	167	25	13,80	F.07	90	12	55x4	17	15	70	9	M8x20	80	103025 45410	103025 65410
100	100	130 x 1/4"	190	20	120	167	25	14,34	F.10	120	12	70x4	22	18	102	11	M10x25	80	103025 4541F	103025 6541F
125	Reduced 100	160 x 1/4"	202	33	120	167	25	-	F.07	90	12	55x4	17	15	70	9	M8x20	80	103025 45510	103025 65510
125	Reduced 100	160 x 1/4"	202	33	120	167	25	-	F.10	125	12	70x4	22	18	102	11	M10x25	80	103025 4551F	103025 6551F



POSITION	DENOMINATION	PIECES	MATERIAL
1	Body	1	AISI (304L) 316L
2	Ball	1	AISI (304L) 316L
3	Sleeves	2	AISI (304L) 316L
4	Stem	1	AISI (304L) 316L
5	Ball Seals	2	PTFE
6	Sleeve Seals	2	PTFE
7	Stem Seal	1	PTFE
8	Stem Seal	1	PTFE
9	Stem or-Seal	1	FKM
10	Register ring	1	AISI 303
11	Locknut	1	AISI 303

