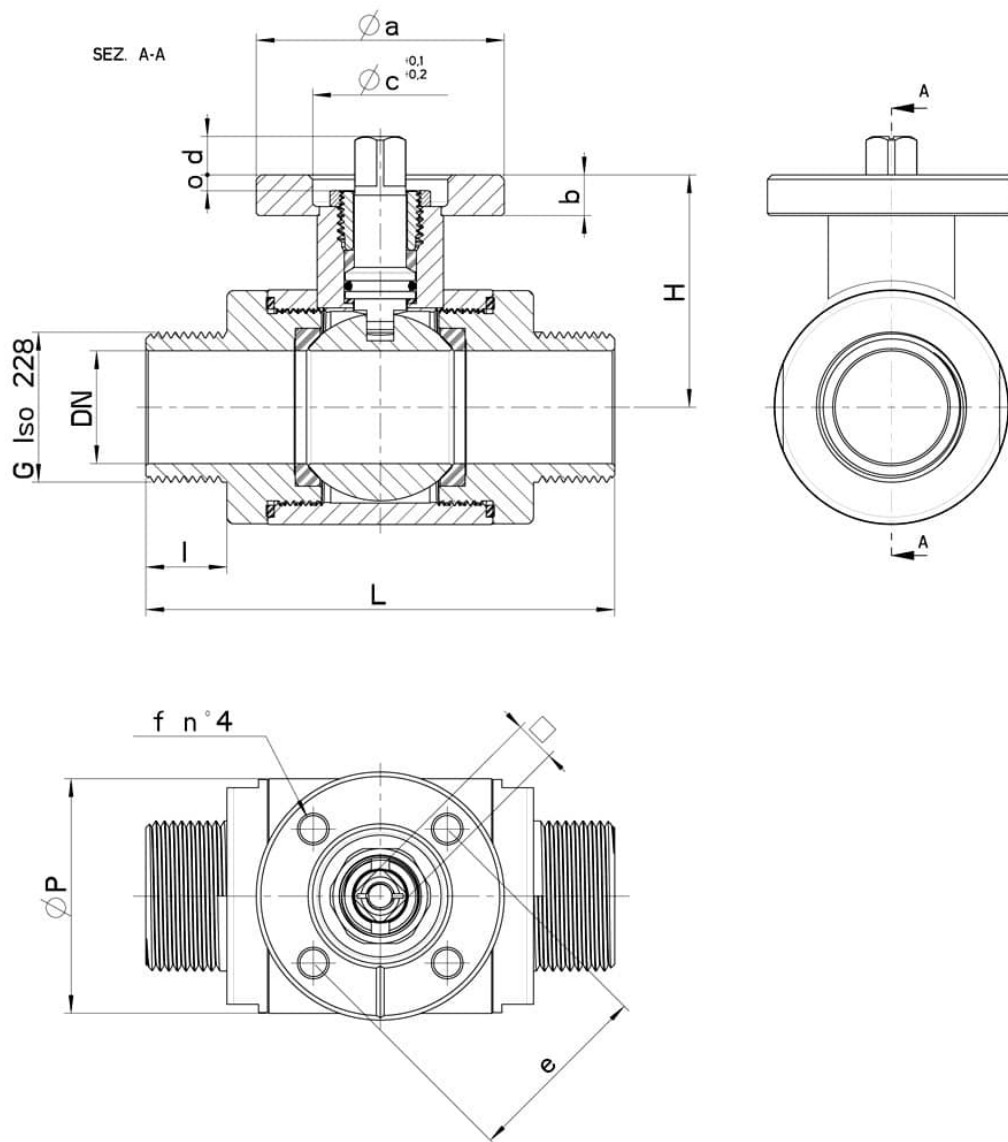


103017

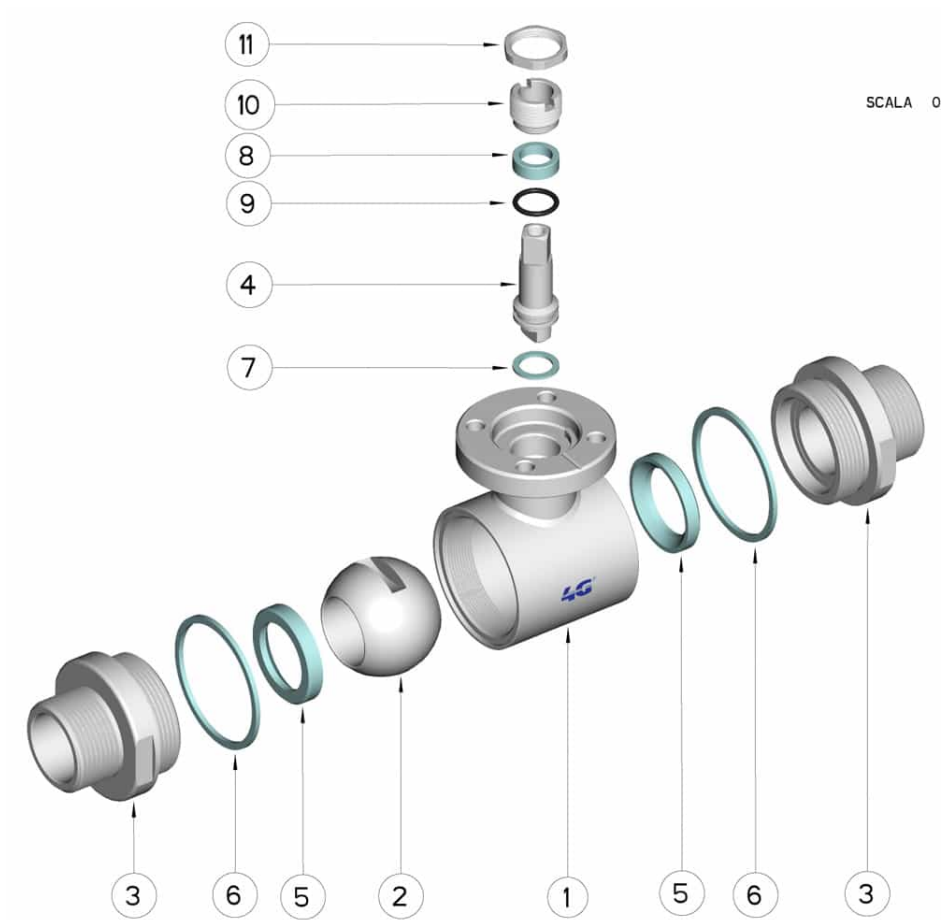


TWO-way ball valve
Drive: ISO 5211 - DIN 3337 flange for actuator
Connection: ISO 228 male/male thread
Flow: Full
Material: Aisi 304L (1.4307) - Aisi 316L (1.4404)
Measure: from 1/4" to 4"
Seals: Modified Virgin P.T.F.E.
Operating temperature: -20°C +170°C
Outer finish: Polished
Screws for mounting actuator included

On request:
Antistatic device ATEX:
II 2G Ex h IIC T4 Gb
II 2D Ex h IIIC T135°C Db
M.O.C.A. CE 1935/2004
• Seals made of:
PTFE with glass -20°C+170°C
PTFE with carbographite -20°C+180°C
PTFE with inox -20°C+200°C
UHMW High-molecular weight polyethylene -20°C+80°C



G	DN	L	I	H	Ø P	PN	Kg	ISO-DIN	Ø a	b	Ø c _{xo}	□	d	e	f	n° 4 BOLTS	Nm	CODE AISI 304L	CODE AISI 316L
1/4"	9	76	13	39	30	100	-	F.03	46	9	25x3	9	8	36	6	M5x16	5	-	103017 60410
1/4"	9	76	13	39	30	100	-	F.04	54	9	30x3	11	10	42	6	M5x16	5	-	103017 6041F
3/8"	10	80	13	39	30	100	0,39	F.03	46	9	25x3	9	8	36	6	M5x16	5	-	103017 60810
3/8"	10	80	13	39	30	100	-	F.04	54	9	30x3	11	10	42	6	M5x16	5	-	103017 6081F
1/2"	15	90	15	41,5	35	100	-	F.03	46	9	25x3	9	8	36	6	M5x16	8	-	103017 61410
1/2"	15	90	15	41,5	35	100	0,54	F.04	54	9	30x3	11	10	42	6	M5x16	8	-	103017 6141F
3/4"	20	98	17	45	42	100	-	F.03	46	9	25x3	9	8	36	6	M5x16	12	-	103017 62010
3/4"	20	98	17	45	42	100	-	F.04	54	9	30x3	11	10	42	6	M5x16	12	-	103017 6201F
1"	25	104	19	51,5	52	64	-	F.04	54	9	30x3	11	10	42	6	M5x16	15	-	103017 62610
1"	25	104	19	51,5	52	64	-	F.05	65	9	35x3	14	13	50	7	M6x16	15	-	103017 6261F
1 1/4"	32	114	19	56,5	60	64	-	F.04	54	9	30x3	11	10	42	6	M5x16	18	-	103017 63010
1 1/4"	32	114	19	56,5	60	64	-	F.05	65	9	35x3	14	13	50	7	M6x16	18	-	103017 6301F
1 1/2"	40	128	20	76	73	64	-	F.05	65	12	35x4	14	13	50	7	M6x20	25	-	103017 63410
1 1/2"	40	128	20	76	73	64	-	F.07	90	12	55x4	17	15	70	9	M8x20	25	-	103017 6341F
2"	50	146	20	84	88	40	-	F.05	65	12	35x4	14	13	50	7	M6x20	30	-	103017 63810
2"	50	146	20	84	88	40	-	F.07	90	12	55x4	17	15	70	9	M8x20	30	-	103017 6381F
2 1/2"	65	162	20	94,5	113	40	-	F.07	90	12	55x4	17	15	70	9	M8x20	45	-	103017 64410
2 1/2"	65	162	20	94,5	113	40	-	F.10	120	12	70x4	22	18	102	11	M10x25	45	-	103017 6441F
3"	80	190	24	106	135	40	-	F.07	90	12	55x4	17	15	70	9	M8x20	70	103017 44810	103017 64810
3"	80	190	24	106	135	40	-	F.10	120	12	70x4	22	18	102	11	M10x25	70	103017 4481F	103017 6481F
4"	100	208	26	120	167	25	-	F.07	90	12	55x4	17	15	70	9	M8x20	80	103017 45410	103017 65410
4"	100	208	26	120	167	25	-	F.10	120	12	70x4	22	18	102	11	M10x25	80	103017 4541F	103017 6541F



POS.	DENOMINATION	PCS	MAT.
1	Body	1	AISI 316L
2	Ball	1	AISI 316L
3	Sleeves	2	AISI 316L
4	Stem	1	AISI 316L
5	Ball Seals	2	PTFE
6	Sleeve Seals	2	PTFE
7	Stem Seal	1	PTFE
8	Stem Seal	1	PTFE
9	Stem or-Seal	1	FKM
10	Register ring	1	AISI 303
11	Locknut	1	AISI 303

