

103009 STANDARD SEALS - ISO 228 F/M



TWO-way ball valve

Drive: ISO 5211 - DIN 3337 flange for actuator

Connection: ISO 228 female/male thread

Flow: Full

Material: Aisi 304L (1.4307) - Aisi 316L (1.4404)

Measure: from 1/4" to 4"

Seals: Modified Virgin P.T.F.E.

Operating temperature: -20°C +170°C

Outer finish: Polished

Screws for mounting actuator included

On request:

Antistatic device ATEX:

II 2G Ex h IIC T4 Gb

II 2D Ex h IIIC T135°C Db

M.O.C.A. CE 1935/2004

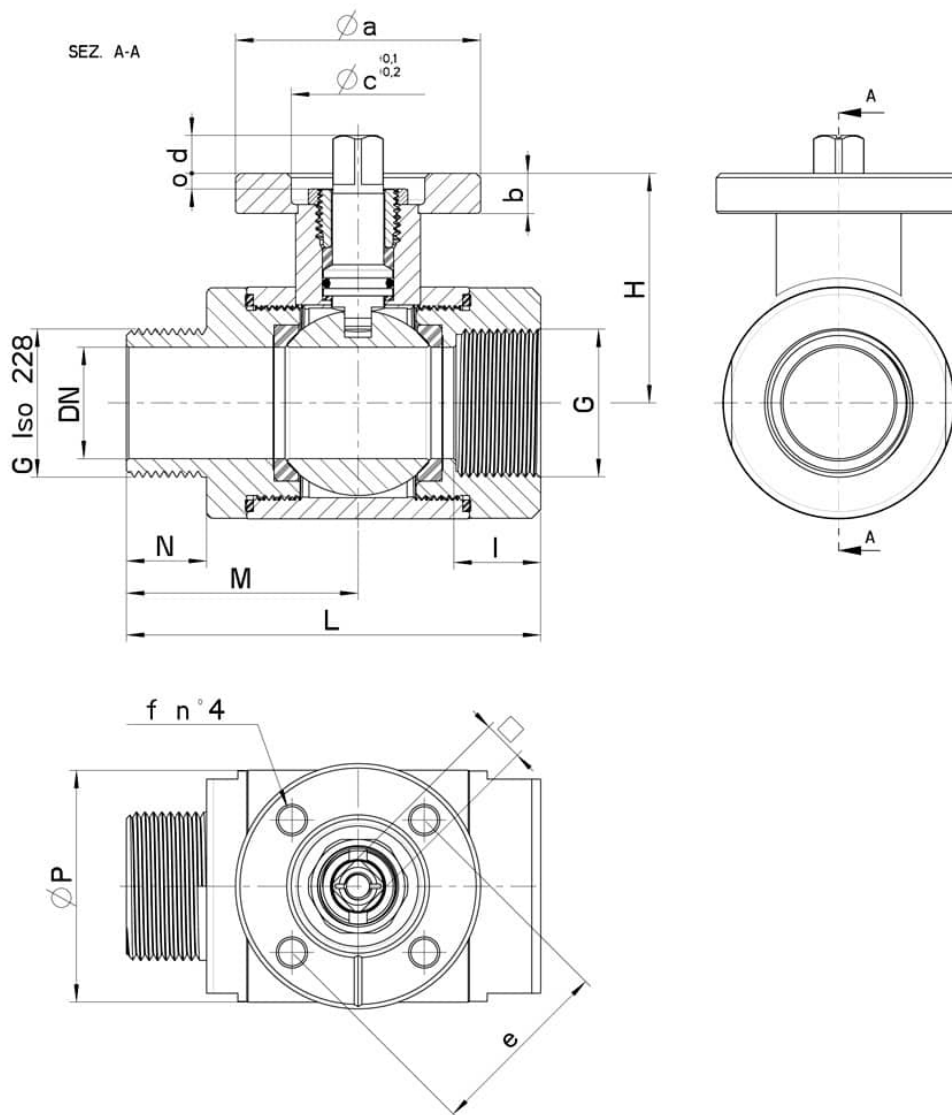
• Seals made of:

PTFE with glass -20°C+170°C

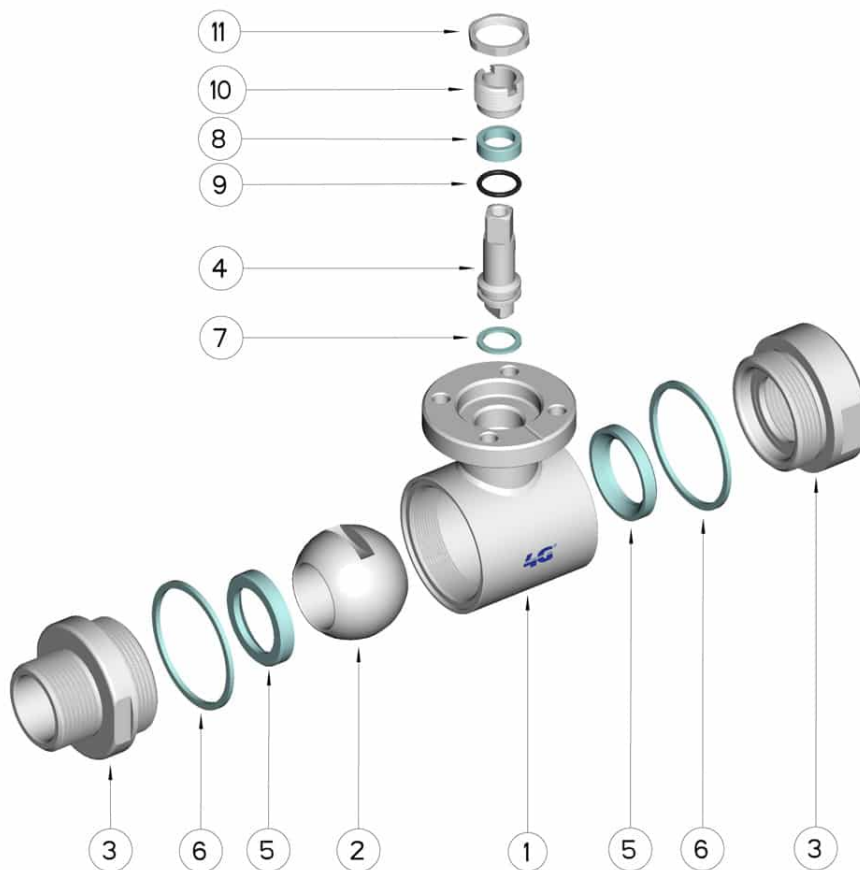
PTFE with carbographite -20°C+180°C

PTFE with inox -20°C+200°C

UHMW High-molecular weight polyethylene -20°C+80°C



G	DN	L	I	N	M	H	Ø P	PN	Kg	ISO-DIN	Ø a	b	Ø c x o	□	d	e	f	n° 4 BOLTS	Nm	CODE AISI 304L	CODE AISI 316L
1/4"	9	64	13	11	38	39	30	100	0,37	F.03	46	9	25x3	9	8	36	6	M5x16	5	-	103009 60410
1/4"	9	64	13	11	38	39	30	100	0,41	F.04	54	9	30x3	11	10	42	6	M5x16	5	-	103009 6041F
3/8"	10	66	13	13	40	39	30	100	0,37	F.03	46	9	25x3	9	8	36	6	M5x16	5	-	103009 60810
3/8"	10	66	13	13	40	39	30	100	0,41	F.04	54	9	30x3	11	10	42	6	M5x16	5	-	103009 6081F
1/2"	15	76	15	15	45	41,5	35	100	0,48	F.03	46	9	25x3	9	8	36	6	M5x16	8	-	103009 61410
1/2"	15	76	15	15	45	41,5	35	100	0,52	F.04	54	9	30x3	11	10	42	6	M5x16	8	-	103009 6141F
3/4"	20	85	17	16	49	45	42	100	0,67	F.03	46	9	25x3	9	8	36	6	M5x16	12	-	103009 62010
3/4"	20	85	17	16	49	45	42	100	0,81	F.04	54	9	30x3	11	10	42	6	M5x16	12	-	103009 6201F
1"	25	93	19	18	52	51,5	52	64	1,12	F.04	54	9	30x3	11	10	42	6	M5x16	15	-	103009 62610
1"	25	93	19	18	52	51,5	52	64	1,17	F.05	65	9	35x3	14	13	50	7	M6x16	15	-	103009 6261F
1 1/4"	32	103	19	18	57	56,5	60	64	1,35	F.04	54	9	30x3	11	10	42	6	M5x16	18	-	103009 63010
1 1/4"	32	103	19	18	57	56,5	60	64	1,40	F.05	65	9	35x3	14	13	50	7	M6x16	18	-	103009 6301F
1 1/2"	40	116	20	20	64	76	73	64	1,87	F.05	65	12	35x4	14	13	50	7	M6x20	25	-	103009 63410
1 1/2"	40	116	20	20	64	76	73	64	2,04	F.07	90	12	55x4	17	15	70	9	M8x20	25	-	103009 6341F
2"	50	131	20	24	73	84	88	40	3,48	F.05	65	12	35x4	14	13	50	7	M6x20	30	-	103009 63810
2"	50	131	20	24	73	84	88	40	3,65	F.07	90	12	55x4	17	15	70	9	M8x20	30	-	103009 6381F
2 1/2"	65	145	20	25	81	94,5	113	40	5,85	F.07	90	12	55x4	17	15	70	9	M8x20	45	-	103009 64410
2 1/2"	65	145	20	25	81	94,5	113	40	6,25	F.10	120	12	70x4	22	18	102	11	M10x25	45	-	103009 6441F
3"	80	170	24	30	95	106	135	40	8,87	F.07	90	12	55x4	17	15	70	9	M8x20	70	103009 44810	103009 64810
3"	80	170	24	30	95	106	135	40	9,37	F.10	120	12	70x4	22	18	102	11	M10x25	70	103009 4481F	103009 6481F
4"	100	192	26	36	104	120	167	25	14,10	F.07	90	12	55x4	17	15	70	9	M8x20	80	103009 45410	103009 65410
4"	100	192	26	36	104	120	167	25	15,00	F.10	120	12	70x4	22	18	102	11	M10x25	80	103009 4541F	103009 6541F



POSITION	DENOMINATION	PIECES	MATERIAL
1	Body	1	AISI 316L
2	Ball	1	AISI 316L
3	Sleeves	2	AISI 316L
4	Stem	1	AISI 316L
5	Ball Seals	2	PTFE
6	Sleeve Seals	2	PTFE
7	Stem Seal	1	PTFE
8	Stem Seal	1	PTFE
9	Stem or-Seal	1	FKM
10	Register ring	1	AISI 303
11	Locknut	1	AISI 303

