

103004 STANDARD SEALS - F NPT



TWOo-way ball valve
Drive: ISO 5211 - DIN 3337 flange for actuator
Connection: NPT female/female thread
Flow: Full
Material: Aisi 316L (1.4404)
Measure: from 1/4" to 4"
Seals: Modified Virgin P.T.F.E.
Operating temperature: -20°C +170°C
Outer finish: Polished
Screws for mounting actuator included

On request:

Antistatic device ATEX:

II 2G Ex h IIC T4 Gb

II 2D Ex h IIIC T135°C Db

M.O.C.A. CE 1935/2004

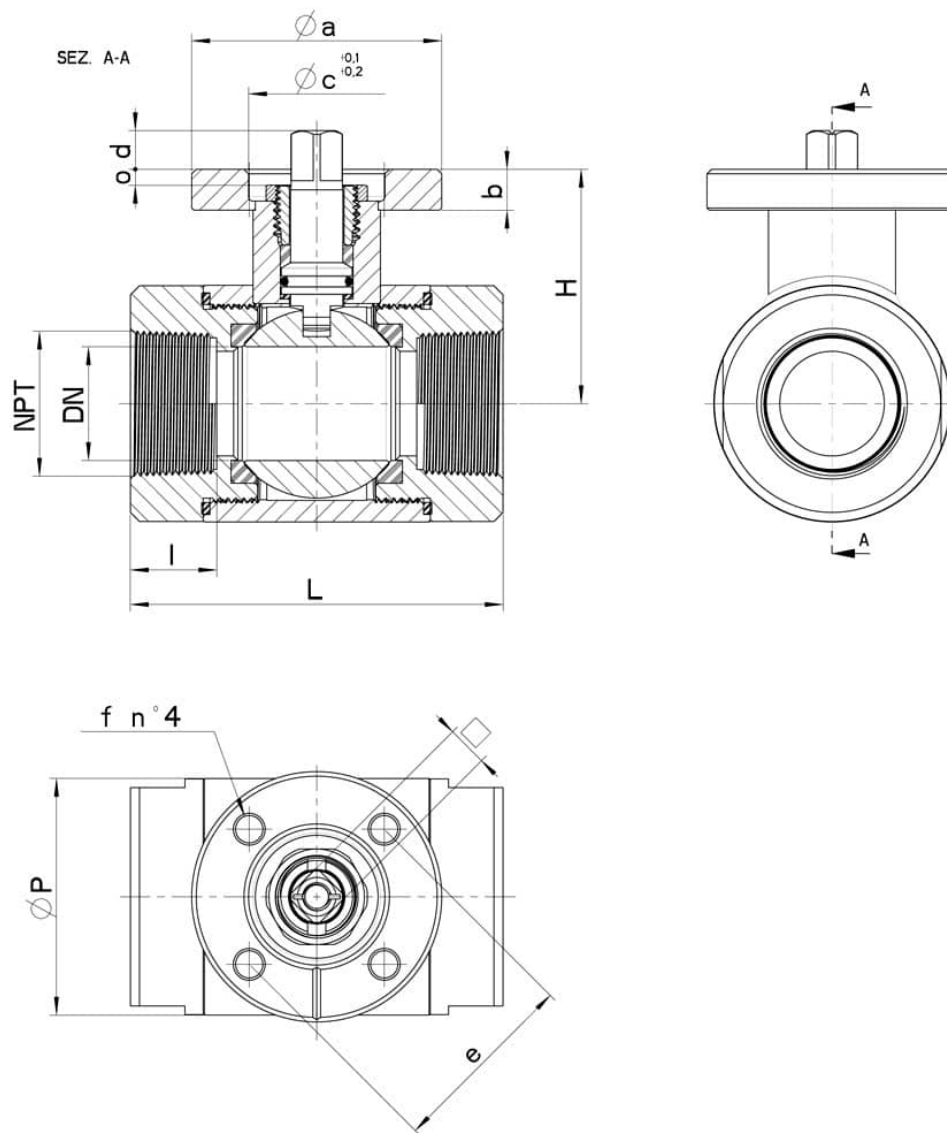
• Seals made of:

PTFE with glass -20°C+170°C

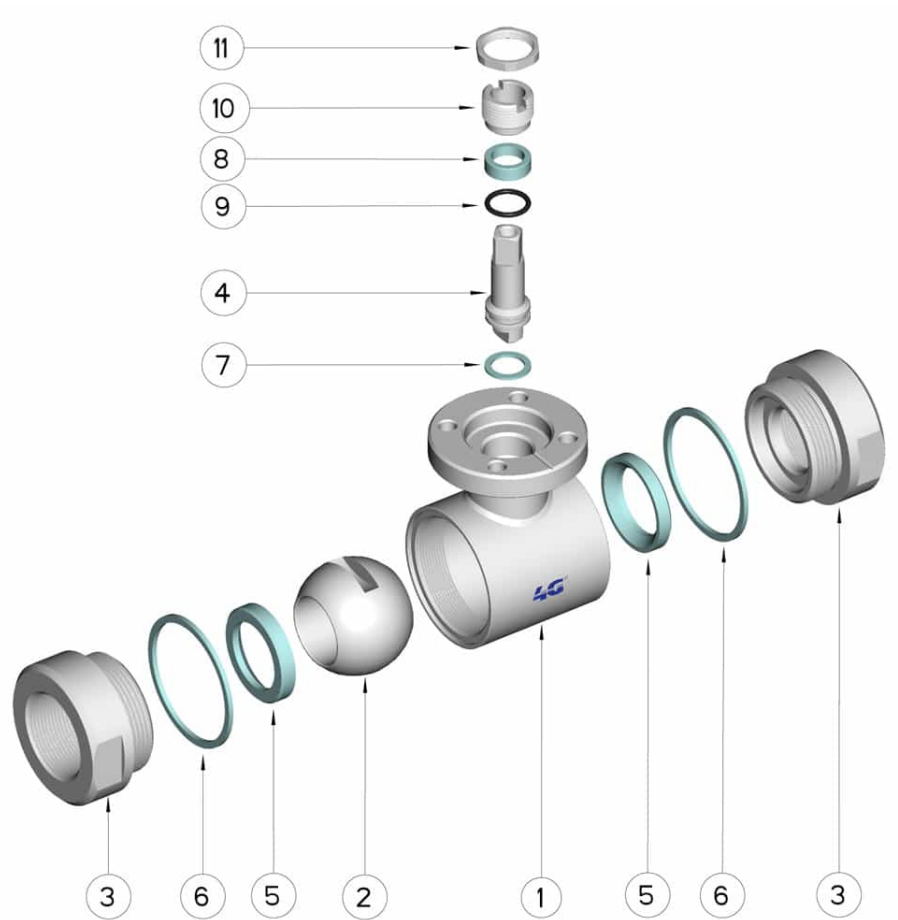
PTFE with carbographite -20°C+180°C

PTFE with inox -20°C+200°C

UHMW High-molecular weight polyethylene -20°C+80°C



G (NPT)	DN	L	I	H	Ø P	PN	Kg	ISO-DIN	Ø a	b	Ø cco	□	d	e	f	n° 4 BOLTS	Nm	CODE AISI 316L
1/4"	9	52	13	39	30	100	0,35	F.03	46	9	25x3	9	8	36	6	M5x16	5	103004 60410
1/4"	9	52	13	39	30	100	0,39	F.04	54	9	30x3	11	10	42	6	M5x16	5	103004 6041F
3/8"	10	52	13	39	30	100	0,34	F.03	46	9	25x3	9	8	36	6	M5x16	5	103004 60810
3/8"	10	52	13	39	30	100	0,38	F.04	54	9	30x3	11	10	42	6	M5x16	5	103004 6081F
1/2"	15	62	16	41,5	35	100	0,45	F.03	46	9	25x3	9	8	36	6	M5x16	8	103004 61410
1/2"	15	62	16	41,5	35	100	0,50	F.04	54	9	30x3	11	10	42	6	M5x16	8	103004 6141F
3/4"	20	72	18	45	42	100	0,66	F.03	46	9	25x3	9	8	36	6	M5x16	12	103004 62010
3/4"	20	72	18	45	42	100	0,68	F.04	54	9	30x3	11	10	42	6	M5x16	12	103004 6201F
1"	25	82	19	51,5	52	64	0,90	F.04	54	9	30x3	11	10	42	6	M5x16	15	103004 62610
1"	25	82	19	51,5	52	64	0,95	F.05	65	9	35x3	14	13	50	7	M6x16	15	103004 6261F
1*1/4	32	92	20	56,5	60	64	1,30	F.04	54	9	30x3	11	10	42	6	M5x16	18	103004 63010
1*1/4	32	92	20	56,5	60	64	1,34	F.05	65	9	35x3	14	13	50	7	M6x16	18	103004 6301F
1*1/2	40	104	20	76	73	64	2,31	F.05	65	12	35X4	14	13	50	7	M6X20	25	103004 63410
1*1/2	40	104	20	76	73	64	2,48	F.07	90	12	55x4	17	15	70	9	M8x20	25	103004 6341F
2"	50	116	20	84	88	40	3,40	F.05	65	12	35x4	14	13	50	7	M6x20	30	103004 63810
2"	50	116	20	84	88	40	3,56	F.07	90	12	55x4	17	15	70	9	M8x20	30	103004 6381F
2*1/2	65	136	26	94,5	113	40	-	F.07	90	12	55x4	17	15	70	9	M8x20	45	103004 64410
2*1/2	65	136	26	94,5	113	40	-	F.10	120	12	70x4	22	18	102	11	M10x25	45	103004 6441F
3"	80	160	28	106	135	40	-	F.07	90	12	55x4	17	15	70	9	M8x20	70	103004 64810
3"	80	160	28	106	135	40	-	F.10	120	12	70x4	22	18	102	11	M10x25	70	103004 6481F
4"	100	192	30	120	167	25	-	F.07	90	12	55x4	17	15	70	9	M8x20	80	103004 65410
4"	100	192	30	120	167	25	-	F.10	120	12	70x4	22	18	102	11	M10x25	80	103004 6541F



POSITION	DENOMINATION	PIECES	MATERIAL
1	Body	1	AISI 316L
2	Ball	1	AISI 316L
3	Sleeves	2	AISI 316L
4	Stem	1	AISI 316L
5	Ball Seals	2	PTFE
6	Sleeve Seals	2	PTFE
7	Stem Seal	1	PTFE
8	Stem Seal	1	PTFE
9	Stem or-Seal	1	FKM
10	Register ring	1	AISI 303
11	Locknut	1	AISI 303

