

103001C STANDARD SEALS - ISO 228 F - HEATING JACKET



TWO-way ball valve with HEATING JACKET

Drive: ISO 5211 - DIN 3337 flange for actuator

Connection: ISO 228 female/female thread

Flow: Full

Material: Aisi 304L (1.4307) - Aisi 316L (1.4404)

Measure: from 1" to 4"

Modified Virgin P.T.F.E.

Operating temperature: -20°C+170°C

Outer finish: Polished

Screws for mounting actuator included

On request:

Antistatic device ATEX:

II 2G Ex h IIC T4 Gb

II 2D Ex h IIIC T135°C Db

M.O.C.A. CE 1935/2004

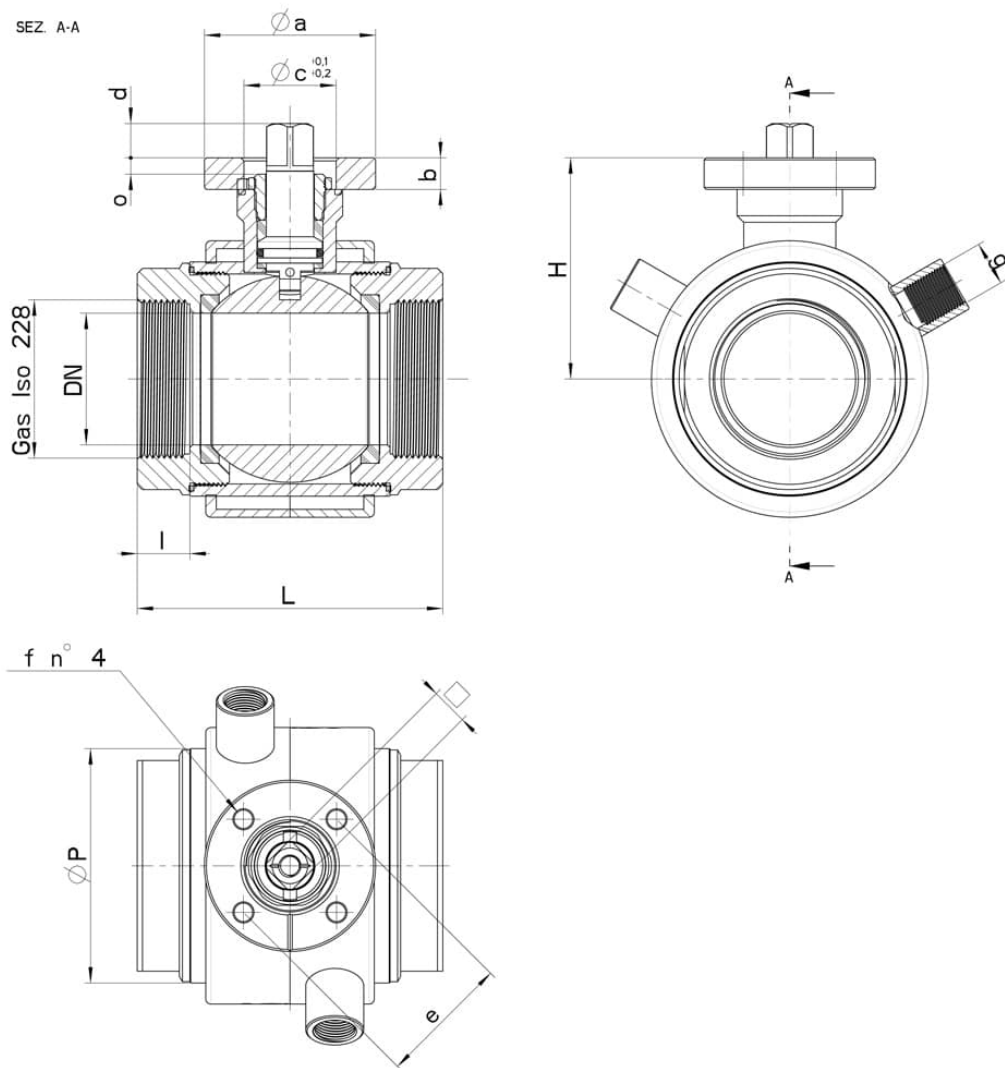
• Seals made of:

PTFE with glass -20°C+170°C

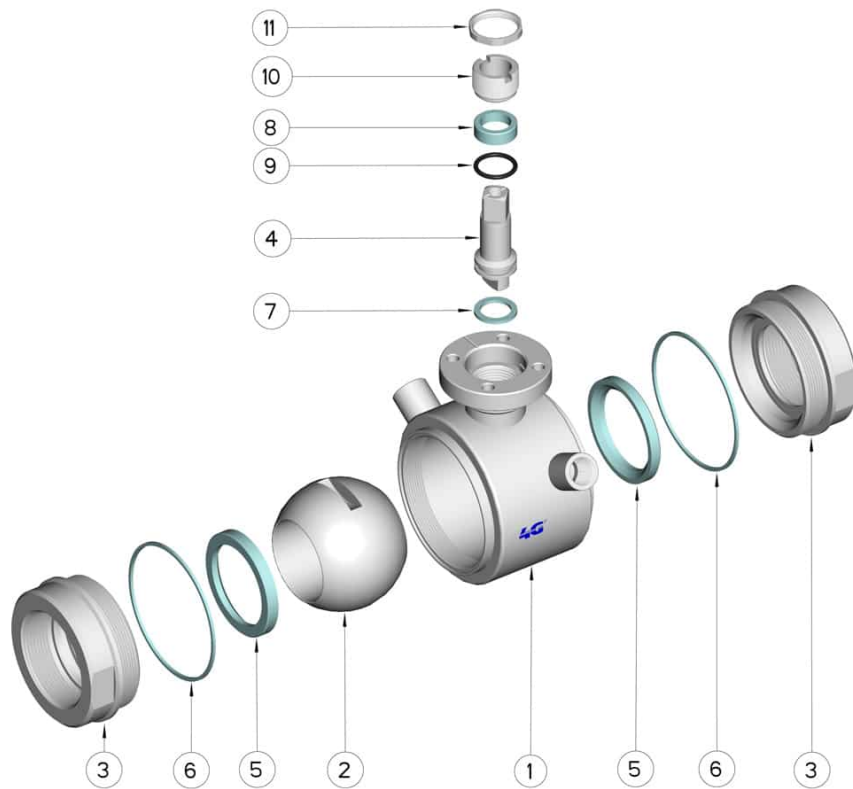
PTFE with carbographite -20°C+180°C

PTFE with inox -20°C+200°C

UHMW High-molecular weight polyethylene -20°C+80°C



G	DN	L	I	H	Ø P	g	PN	Kg	ISO-DIN	Ø a	b	Ø c x o	□	d	e	f	n° 4 Bolts	Nm	CODE AISI 304L	CODE AISI 316L
1"	25	82	19	51,5	52	1/4"	64	-	F.04	54	9	30x3	11	10	42	6	M5x16	15	-	103001C62610
1"	25	82	19	51,5	52	1/4"	64	-	F.05	65	9	35x3	14	13	50	7	M6x16	15	-	103001C6261F
1"1/4	32	92	19	56,5	60	1/4"	64	-	F.04	54	9	30x3	11	10	42	6	M5x16	18	-	103001C63010
1"1/4	32	92	19	56,5	60	1/4"	64	-	F.05	65	9	35x3	14	13	50	7	M6x16	18	-	103001C6301F
1"1/2	40	104	20	76	73	3/8"	64	-	F.05	65	12	35x4	14	13	50	7	M6x20	25	-	103001C63410
1"1/2	40	104	20	76	73	3/8"	64	-	F.07	90	12	55x4	17	15	70	9	M8x20	25	-	103001C6341F
2"	50	116	20	84	88	3/8"	40	4,24	F.05	65	12	35x4	14	13	50	7	M6x20	30	-	103001C63810
2"	50	116	20	84	88	3/8"	40	-	F.07	90	12	55x4	17	15	70	9	M8x20	30	-	103001C6381F
2"1/2	65	128	20	94,5	113	1/2"	40	-	F.07	90	12	55x4	17	15	70	9	M8x20	45	-	103001C64410
2"1/2	65	128	20	94,5	113	1/2"	40	-	F.10	125	12	70x4	22	18	102	11	M10x25	45	-	103001C6441F
3"	80	150	24	106	135	1/2"	40	-	F.07	90	12	55x4	17	15	70	9	M8x20	70	103001C44810	103001C64810
3"	80	150	24	106	135	1/2"	40	-	F.10	125	12	70x4	22	18	102	11	M10x25	70	103001C4481F	103001C6481F
4"	100	178	26	120	167	1/2"	25	-	F.07	90	12	55x4	17	15	70	9	M8x20	80	103001C45410	103001C65410
4"	100	178	26	120	167	1/2"	25	-	F.10	125	12	70x4	22	18	102	11	M10x25	80	103001C4541F	103001C6541F



Position	Denomination	PEZZI	MATERIAL
1	Body	1	AISI 316L
2	Ball	1	AISI 316L
3	Sleeves	2	AISI 316L
4	Stem	1	AISI 316L
5	Ball Seals	2	PTFE Vergine Modificato
6	Sleeve Seals	2	PTFE
7	Stem Seal	1	PTFE
8	Stem Seal	1	PTFE
9	Stem or-Seal	1	FKM
10	Register ring	1	AISI 304L (303)
11	Locknut	1	AISI 303

