

103001 STANDARD SEALS - ISO 228 F



TWO-way ball valve

Drive: ISO 5211 - DIN 3337 flange for actuator

Connection: ISO 228 female/female thread

Flow: Full

Material: Aisi 304L (1.4307) - Aisi 316L (1.4404)

Measure: from 1/4" to 4"

Modified Virgin P.T.F.E.

Operating temperature: -20°C+170°C

Outer finish: Polished

Screws for mounting actuator included

On request:

Antistatic device ATEX:

II 2G Ex h IIC T4 Gb

II 2D Ex h IIIC T135°C Db

M.O.C.A. CE 1935/2004

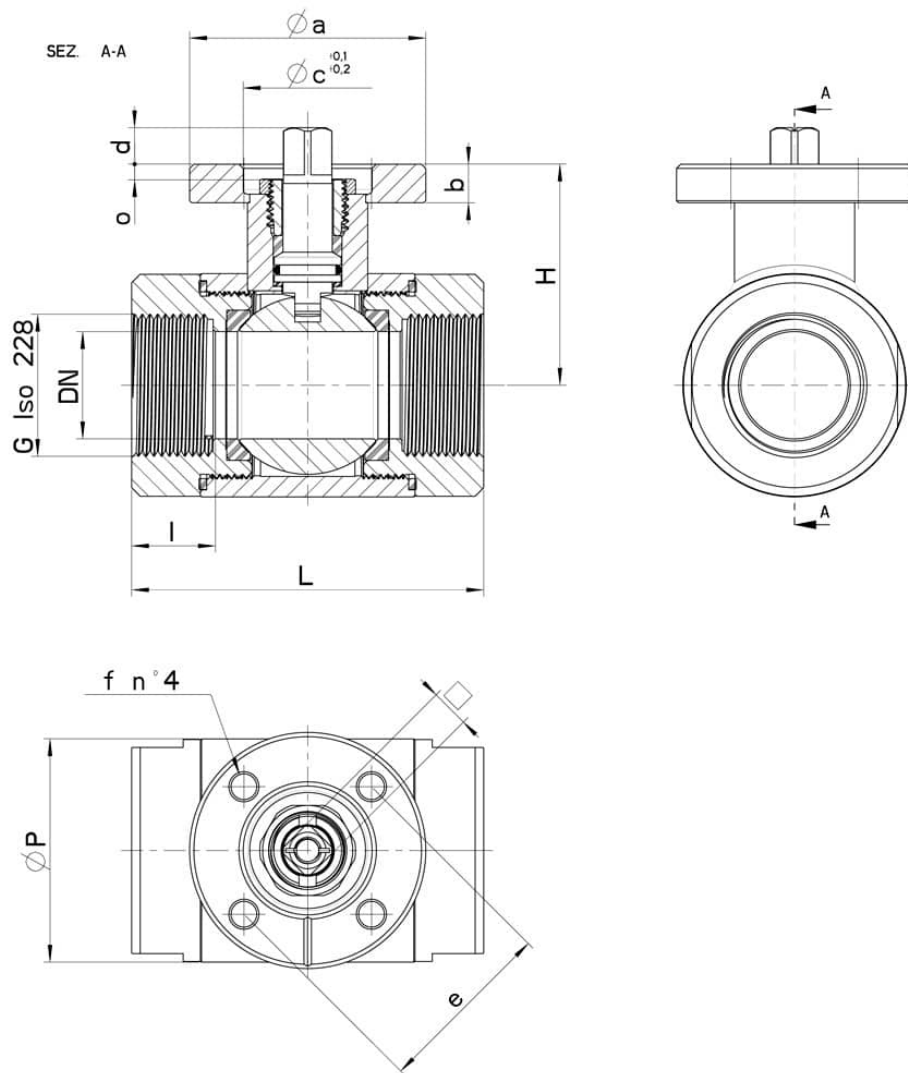
• Seals made of:

PTFE with glass -20°C+170°C

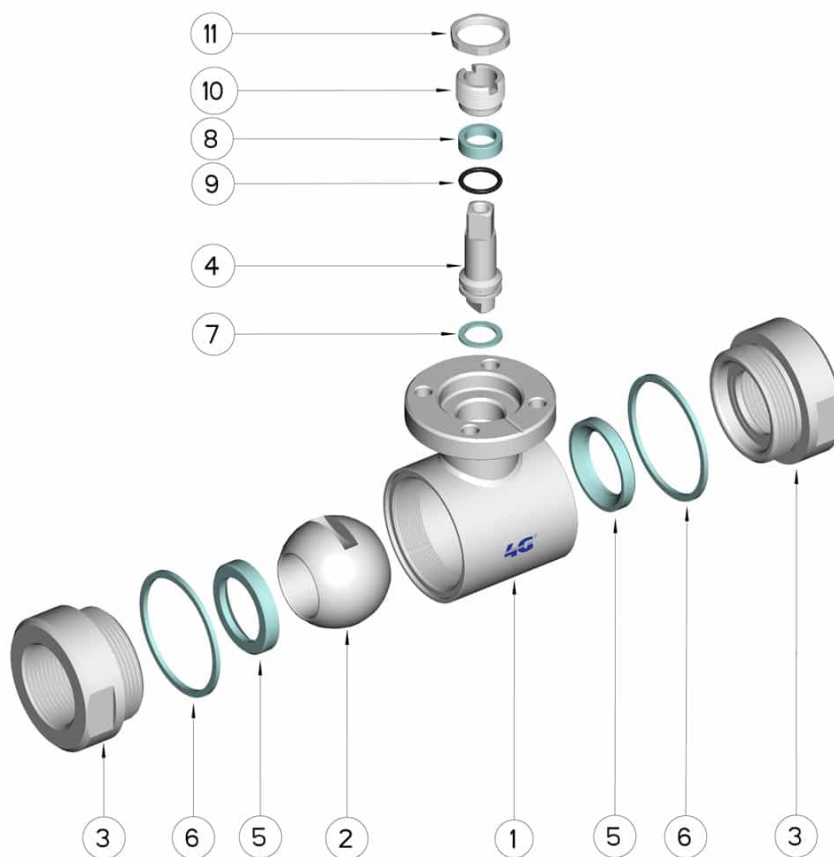
PTFE with carbographite -20°C+180°C

PTFE with inox -20°C+200°C

UHMW High-molecular weight polyethylene -20°C+80°C



G	DN	L	I	H	Ø P	PN	Kg	ISO-DIN	Ø a	b	Ø c x o	□	d	e	f	n° 4 Bolts	Nm	CODE AISI 304L	CODE AISI 316L
1/4"	9	52	13	39	30	100	0,35	F.03	46	9	25x3	9	8	36	6	M5x16	5	-	103001 60410
1/4"	9	52	13	39	30	100	0,39	F.04	54	9	30x3	11	10	42	6	M5x16	5	-	103001 6041F
3/8"	10	52	13	39	30	100	0,34	F.03	46	9	25x3	9	8	36	6	M5x16	5	-	103001 60810
3/8"	10	52	13	39	30	100	0,38	F.04	54	9	30x3	11	10	42	6	M5x16	5	-	103001 6081F
1/2"	15	62	15	41,5	35	100	0,45	F.03	46	9	25x3	9	8	36	6	M5x16	8	-	103001 61410
1/2"	15	62	15	41,5	35	100	0,50	F.04	54	9	30x3	11	10	42	6	M5x16	8	-	103001 6141F
3/4"	20	72	17	45	42	100	0,66	F.03	46	9	25x3	9	8	36	6	M5x16	12	-	103001 62010
3/4"	20	72	17	45	42	100	0,68	F.04	54	9	30x3	11	10	42	6	M5x16	12	-	103001 6201F
1"	25	82	19	51,5	52	64	0,90	F.04	54	9	30x3	11	10	42	6	M5x16	15	-	103001 62610
1"	25	82	19	51,5	52	64	0,95	F.05	65	9	35x3	14	13	50	7	M6x16	15	-	103001 6261F
1"1/4	32	92	19	56,5	60	64	1,30	F.04	54	9	30x3	11	10	42	6	M5x16	18	-	103001 63010
1"1/4	32	92	19	56,5	60	64	1,34	F.05	65	9	35x3	14	13	50	7	M6x16	18	-	103001 6301F
1"1/2	40	104	20	76	73	64	2,31	F.05	65	12	35x4	14	13	50	7	M6x20	25	-	103001 63410
1"1/2	40	104	20	76	73	64	2,48	F.07	90	12	55x4	17	15	70	9	M8x20	25	-	103001 6341F
2"	50	116	20	84	88	40	3,40	F.05	65	12	35x4	14	13	50	7	M6x20	30	-	103001 63810
2"	50	116	20	84	88	40	3,56	F.07	90	12	55x4	17	15	70	9	M8x20	30	-	103001 6381F
2"1/2	65	128	20	94,5	113	40	5,75	F.07	90	12	55x4	17	15	70	9	M8x20	45	-	103001 64410
2"1/2	65	128	20	94,5	113	40	6,25	F.10	125	12	70x4	22	18	102	11	M10x25	45	-	103001 6441F
3"	80	150	24	106	135	40	8,93	F.07	90	12	55x4	17	15	70	9	M8x20	70	103001 44810	103001 64810
3"	80	150	24	106	135	40	9,43	F.10	125	12	70x4	22	18	102	11	M10x25	70	103001 4481F	103001 6481F
4"	100	178	26	120	167	25	14,80	F.07	90	12	55x4	17	15	70	9	M8x20	80	103001 45410	103001 65410
4"	100	178	26	120	167	25	15,70	F.10	125	12	70x4	22	18	102	11	M10x25	80	103001 4541F	103001 6541F



Position	Denomination	PEZZI	MATERIAL
1	Body	1	AISI 316L
2	Ball	1	AISI 316L
3	Sleeves	2	AISI 316L
4	Stem	1	AISI 316L
5	Ball Seals	2	PTFE Vergine Modificato
6	Sleeve Seals	2	PTFE
7	Stem Seal	1	PTFE
8	Stem Seal	1	PTFE
9	Stem or-Seal	1	FKM
10	Register ring	1	AISI 304L (303)
11	Locknut	1	AISI 303

