

100169 ASEPTIK NORMATIVE DIN 11864-3 REIHE C_BKS FORM A MALE



TWO-way ball valve

Drive: Inox lever

Connection: **ASEPTIK normative DIN 11864-3 REIHE C, BKS Form A.
For TUBE according to normative DIN 11866-C (ASTM A-270)**

Flow: Full and reduced

Material: Aisi 316L (1.4404)

Measure: from DN10 to DN100

Seals: Modified Virgin P.T.F.E.

Operating temperature: -20°C+170°C

Outer finish: Polished

On request:

Antistatic device ATEX:

II 2G Ex h IIC T4 Gb

II 2D Ex h IIIC T135°C Db

M.O.C.A. CE 1935/2004

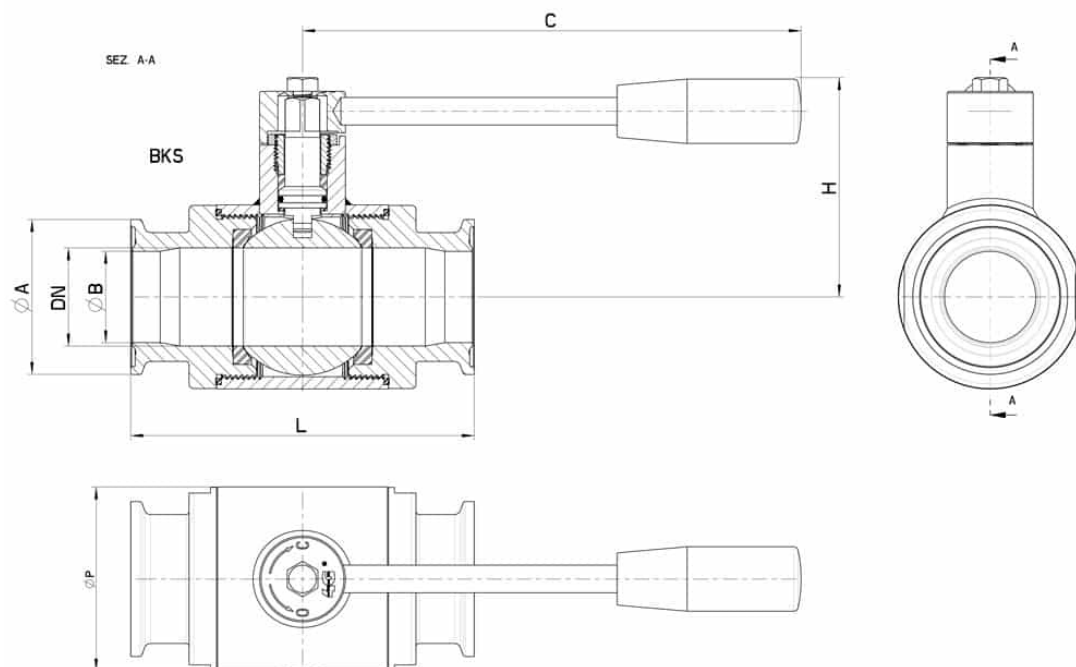
• Seals made of:

PTFE with glass -20°C+170°C

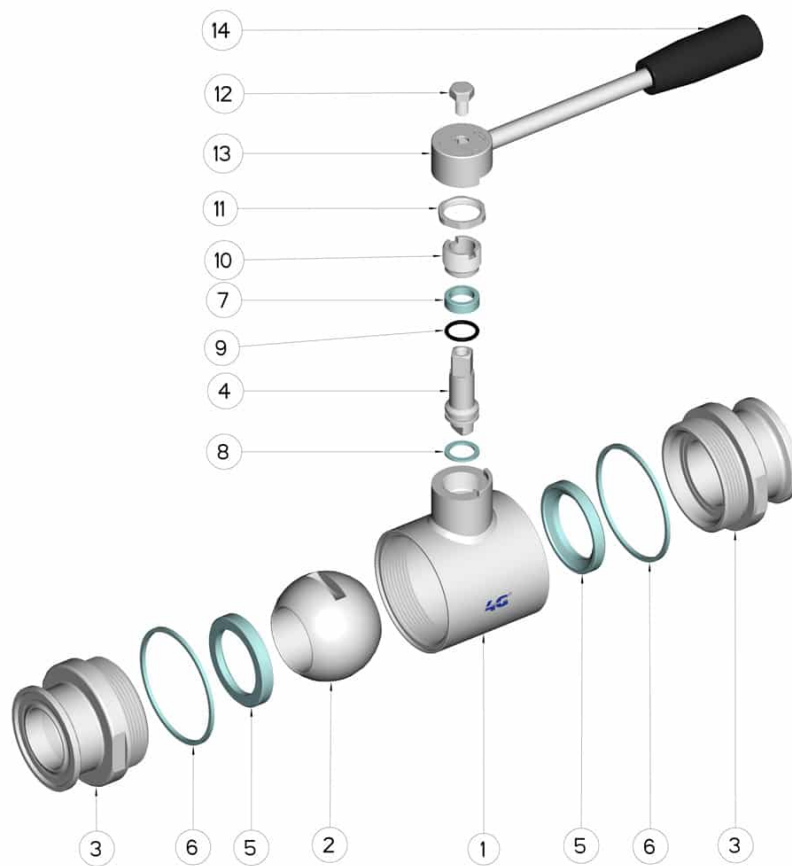
PTFE with carbographite -20°C+180°C

PTFE with inox -20°C+200°C

UHMW High-molecular weight polyethylene -20°C+80°C



INCH.	DN	BKS - Form A	L	Ø A	Ø B	C	H	Ø P	PN	Kg	COD. AISI 316L
1/2"	10	Ø 34	88	34	9,4	110	50	30	100	-	100169 61210
3/4"	15	Ø 34	92	34	15	110	55	35	100	-	100169 61810
1"	20	Ø 50,5	102	50,5	22,1	110	58	42	100	-	100169 62410
1"	25	Ø 50,5	106	50,5	22,1	160	65	52	64	-	100169 62610
1" 1/2	32	Ø 64	112	64	34,8	160	74	60	64	-	100169 63210
1" 1/2	40	Ø 64	126	64	34,8	190	92	73	64	-	100169 63410
2"	40	Ø 77,5	126	77,5	47,5	190	92	73	40	-	100169 63610
2"	50	Ø 77,5	136	77,5	47,5	190	110	88	40	-	100169 63810
2" 1/2	50	Ø 91	136	91	60,2	190	110	88	40	-	100169 64210
2" 1/2	65	Ø 91	154	91	60,2	220	115	113	40	-	100169 64410
3"	65	Ø 106	154	106	72,9	220	115	113	40	-	100169 64510
3"	80	Ø 106	184	106	72,9	285	130	135	40	-	100169 64810
4"	100	Ø 130	190	130	97,4	310	150	167	25	-	100169 65410



Position	Denomination	PEZZI	MATERIAL
1	Body	1	AISI 316L
2	Ball	1	AISI 316L
3	Sleeves	2	AISI 316L
4	Stem	1	AISI 316L
5	Ball Seals	2	PTFE Vergine Modificato
6	Sleeve Seals	2	PTFE
7	Stem Seal	1	PTFE
8	Stem Seal	1	PTFE
9	Stem or-Seal	1	FKM
10	Register ring	1	AISI 304L (303)
11	Locknut	1	AISI 304L
12	Vite	1	AISI 304L
13	Lever	1	AISI 304L
14	Handle	1	DUROPLAST (PF)

