

100156 STANDARD SEALS_REVOLVING THREADED FLANGES EN 1759-1 CLASS 300



TWO-way ball valve
Drive: Inox lever
Connection: Revolving threaded flanges EN 1759-1 CLASS 300 (exANSI 300)
Flow: Full
Material: Aisi 316L (1.4404)
Measure: from 1/2" to 4"
Seals: Modified Virgin P.T.F.E.
Operating temperature: -20°C+170°C
Outer finish: Polished

On request:

Antistatic device ATEX:

II 2G Ex h IIC T4 Gb

II 2D Ex h IIIC T135°C Db

M.O.C.A. CE 1935/2004

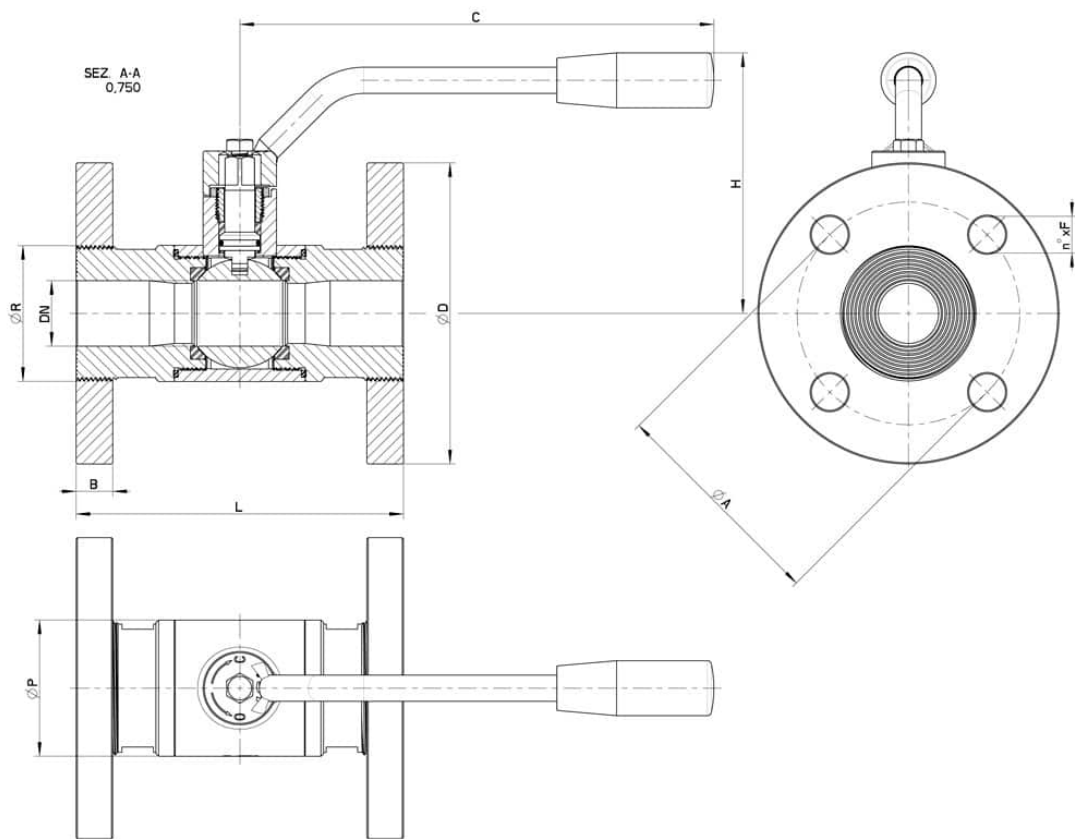
• Seals made of:

PTFE with glass -20°C+170°C

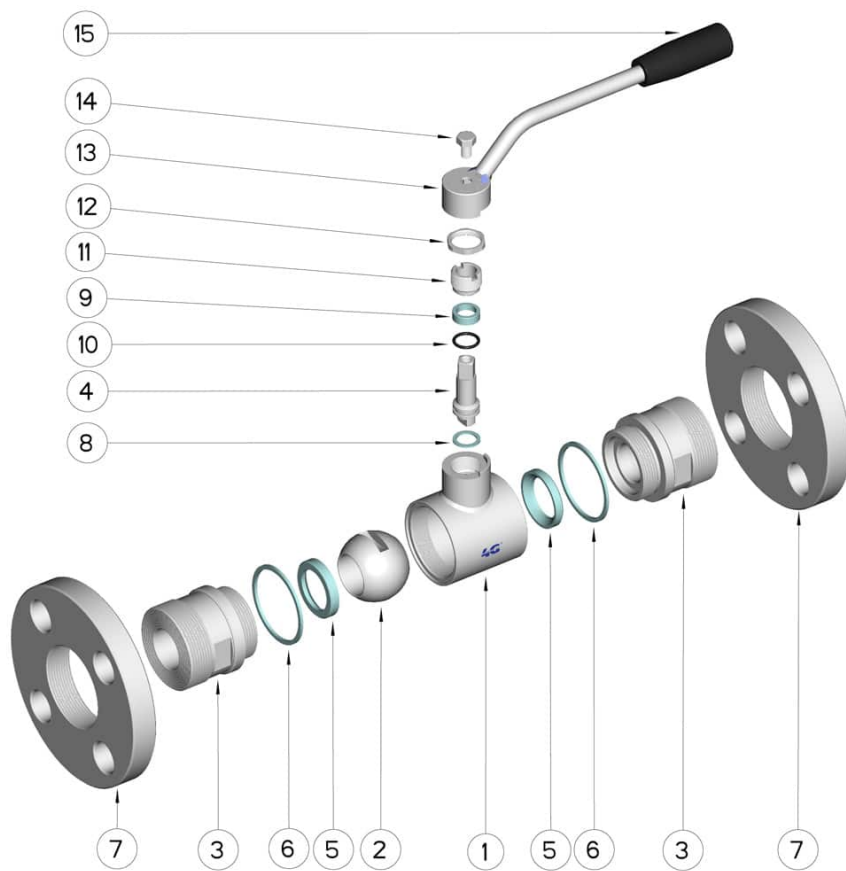
PTFE with carbographite -20°C+180°C

PTFE with inox -20°C+200°C

UHMW High-molecular weight polyethylene -20°C+80°C



ANSI 300	DN	L	C	H	Ø P	D	B	ØR	A	n° x F	Kg	CODE AISI 304L	CODE AISI 316L
1/2"	15	115	125	75	35	95	12,7	35	66,7	4x16	1,80	-	100156 61410
3/4"	20	120	125	80	42	117	14,3	42	82,6	4x19	2,55	-	100156 62010
1"	25	125	170	100	52	124	15,9	51	88,9	4x19	3,98	-	100156 62610
1" 1/4	32	130	170	110	60	133	17,4	63	98,4	4x19	5,10	-	100156 63010
1" 1/2	40	140	240	120	73	156	19	75	114,3	4x22	5,42	-	100156 63410
2"	50	150	240	130	88	165	20,6	89	127	8x19	9,24	-	100156 63810
2" 1/2	65	170	260	145	113	190	23,8	110	149,2	8x22,2	13,00	-	100156 64410
3"	80	180	300	160	135	210	27	120	168,3	8x22,2	16,10	-	100156 64810
4"	100	190	330	180	167	254	30,2	140	200	8x22,2	24	-	100156 65410



Position	Denomination	PEZZI	MATERIAL
1	Body	1	AISI (304L) 316L
2	Ball	1	AISI (304L) 316L
3	Sleeves	2	AISI (304L) 316L
4	Stem	1	AISI (304L) 316L
5	Ball Seals	2	PTFE Vergine Modificato
6	Sleeve Seals	2	PTFE
7	Flanges	2	AISI (304L) 316L
8	Stem Seal	1	PTFE
9	Stem Seal	1	PTFE
10	Stem or-Seal	1	FKM
11	Register ring	1	AISI 304L (303)
12	Locknut	1	AISI 304L
13	Lever	1	AISI 304L
14	SCREW	1	AISI 304L
15	Handle	1	DUROPLAST (PF)

