

100155 STANDARD SEALS_REVOLVING THREADED FLANGES EN 1759-1 CLASS 150



TWO-way ball valve
Drive: Inox lever
Connection: Revolving threaded flanges EN 1759-1 CLASS 150
Flow: Full
Material: Aisi 304L (1.4307) – Aisi 316L (1.4404)
Measure: from 1/2" to 4"
Seals: Modified Virgin P.T.F.E.
Operating temperature: -20°C+170°C
Outer finish: Polished

On request:

Antistatic device ATEX:

II 2G Ex h IIC T4 Gb

II 2D Ex h IIIC T135°C Db

M.O.C.A. CE 1935/2004

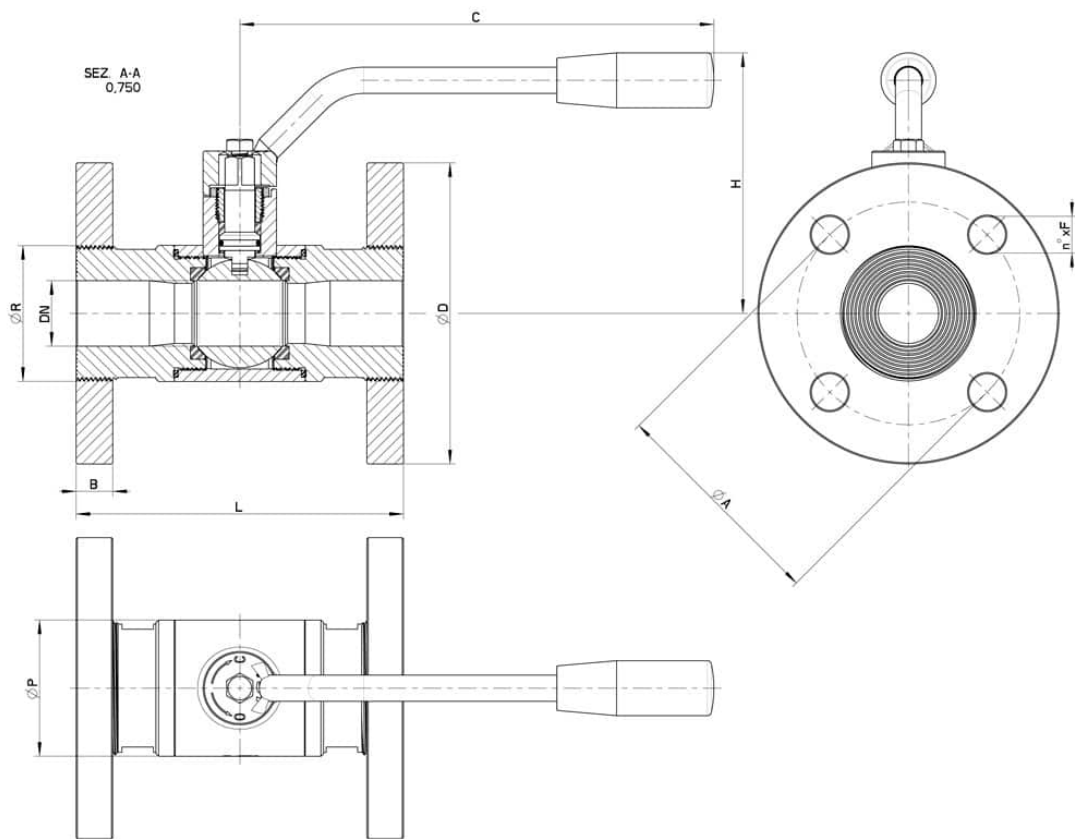
• Seals made of:

PTFE with glass -20°C+170°C

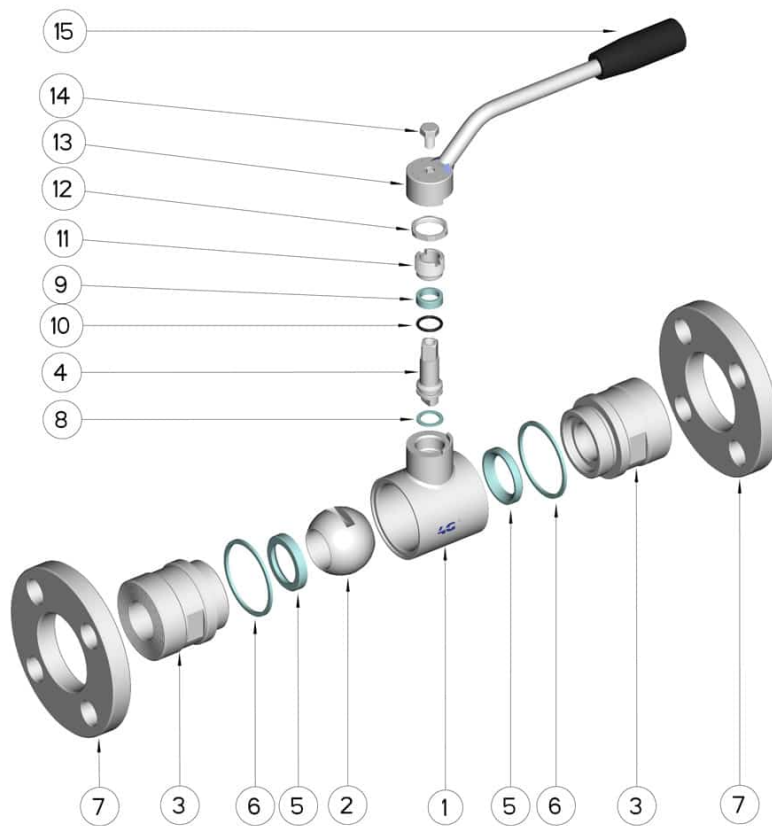
PTFE with carbographite -20°C+180°C

PTFE with inox -20°C+200°C

UHMW High-molecular weight polyethylene -20°C+80°C



CLASS 150	DN	L	C	H	Ø P	D	B	ØR	A	n° x F	Kg	CODE AISI 304L	CODE AISI 316L
1/2"	15	115	125	75	35	88,9	9,5	35	60.6	4x16	1,80	-	100155 61410
3/4"	20	120	125	80	42	98,4	11,1	42	69.8	4x16	2,55	-	100155 62010
1"	25	125	170	100	52	108	12,7	51	79.4	4x16	3	-	100155 62610
1" 1/4	32	130	170	110	60	117,5	14,3	63	88.9	4x16	5,10	-	100155 63010
1" 1/2	40	140	240	120	73	127	15,9	75	98.4	4x16	5,42	-	100155 63410
2"	50	150	240	130	88	152,4	17,4	89	120.6	4x19	8,29	-	100155 63810
2" 1/2	65	170	260	145	113	177,8	20,6	110	139.7	4x19	13,00	-	100155 64410
3"	80	180	300	160	135	190,5	22,2	120	152.4	4x19	16,10	100155 44810	100155 64810
4"	100	190	330	180	167	228,6	22,2	140	190.5	8x19	24	100155 45410	100155 65410



Position	Denomination	PEZZI	MATERIAL
1	Body	1	AISI (304L) 316L
2	Ball	1	AISI (304L) 316L
3	Sleeves	2	AISI (304L) 316L
4	Stem	1	AISI (304L) 316L
5	Ball Seals	2	PTFE Vergine Modificato
6	Sleeve Seals	2	PTFE
7	Flanges	2	AISI (304L) 316L
8	Stem Seal	1	PTFE
9	Stem Seal	1	PTFE
10	Stem or-Seal	1	FKM
11	Register ring	1	AISI 304L (303)
12	Locknut	1	AISI 304L
13	Lever	1	AISI 304L
14	SCREW	1	AISI 304L
15	Handle	1	DUROPLAST (PF)

