

100150C STANDARD SEALS_REVOLVING THREADED FLANGES UNI EN 1092-1 - HEATING JACKET



TWO-way ball valve with HEATING JACKET

Drive: Inox lever

Connection: Revolving threaded flanges UNI EN 1092-1

Flow: Full and reduced

Material: Aisi 304L (1.4307) - Aisi 316L (1.4404)

Measure: from DN25 to DN125

Seals: Modified Virgin P.T.F.E.

Operating temperature: -20°C+170°C

Outer finish: Polished

On request:

Antistatic device ATEX:

II 2G Ex h IIC T4 Gb

II 2D Ex h IIIC T135°C Db

M.O.C.A. CE 1935/2004

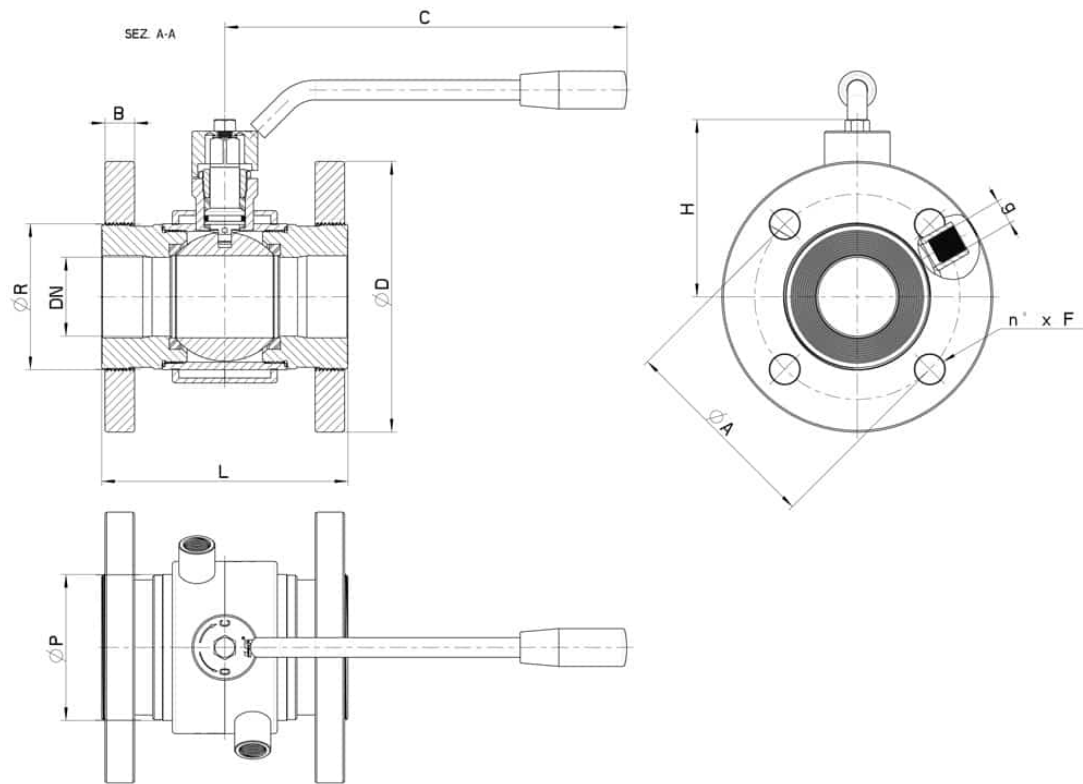
• Seals made of:

PTFE with glass -20°C+170°C

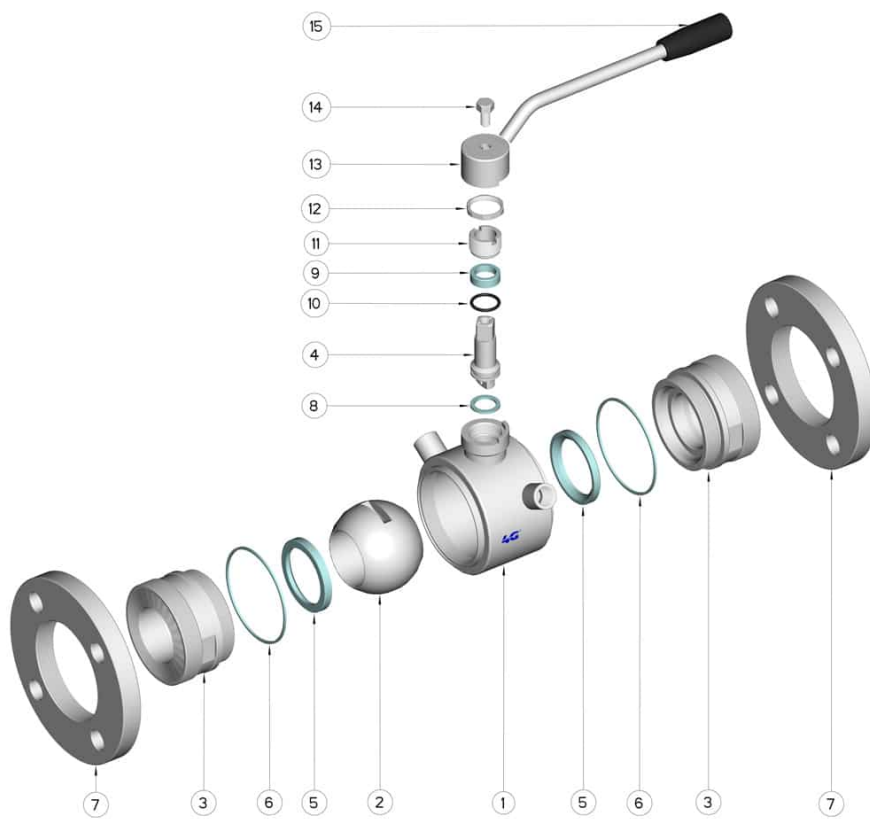
PTFE with carbographite -20°C+180°C

PTFE with inox -20°C+200°C

UHMW High-molecular weight polyethylene -20°C+80°C



DN	DN	L	C	H	Ø P	D	B	ØR	A	n° x F	g	PN	Kg	COD. AISI 304L	COD. AISI 316L
25	25	125	170	100	52	115	14	51	85	4x14	1/4"	40	-	-	100150C62610
32	32	130	170	110	60	140	16	63	100	4x18	1/4"	40	-	-	100150C63010
40	40	140	240	120	73	150	16	75	110	4x18	3/8"	40	-	-	100150C63410
50	50	150	240	130	88	165	18	89	125	4x18	3/8"	40	-	-	100150C63810
65	65	170	260	145	113	185	18	110	145	4x18	1/2"	16	-	-	100150C64410
65	65	170	260	145	113	185	20	110	145	8x18	1/2"	40	-	-	100152C64410
80	80	180	300	160	135	200	18	120	160	8x18	1/2"	16	-	100150C44810	100150C64810
80	80	180	300	160	135	200	22	120	160	8x18	1/2"	40	-	100152C44810	100152C64810
100	100	190	330	180	167	220	20	140	180	8x18	1/2"	16	-	100150C45410	100150C65410
100	100	190	330	180	167	235	22	140	190	8x22	1/2"	25	-	100152C45410	100152C65410
125 (Reduced)	100	200	330	180	167	250	22	153	210	8x18	1/2"	16	-	100150C45510	100150C65510



Position	Denomination	PEZZI	MATERIAL
1	Body	1	AISI 304L - 316L
2	Ball	1	AISI 304L - 316L
3	Sleeves	2	AISI 304L - 316L
4	Stem	1	AISI 304L - 316L
5	Ball Seals	2	PTFE Vergine Modificato
6	Sleeve Seals	2	PTFE
7	Flanges	2	AISI 304L - 316L
8	Stem Seal	1	PTFE
9	Stem Seal	1	PTFE
10	Stem or-Seal	1	FKM
11	Register ring	1	AISI 304L (303)
12	Locknut	1	AISI 304L
13	Lever	1	AISI 304L
14	SCREW	1	AISI 304L
15	Handle	1	DUROPLAST (PF)

