

100146 STANDARD SEALS – M/M SMS



TWO-way ball valve

Drive: Inox lever

Connection: SMS male/male

Flow: Full

Material: Aisi 304L (1.4307) – Aisi 316L (1.4404)

Measure: from DN20 to DN100

Seals: Modified Virgin P.T.F.E.

Operating temperature: -20°C+170°C

Outer finish: Polished

On request:

Antistatic device ATEX:

II 2G Ex h IIC T4 Gb

II 2D Ex h IIIC T135°C Db

M.O.C.A. CE 1935/2004

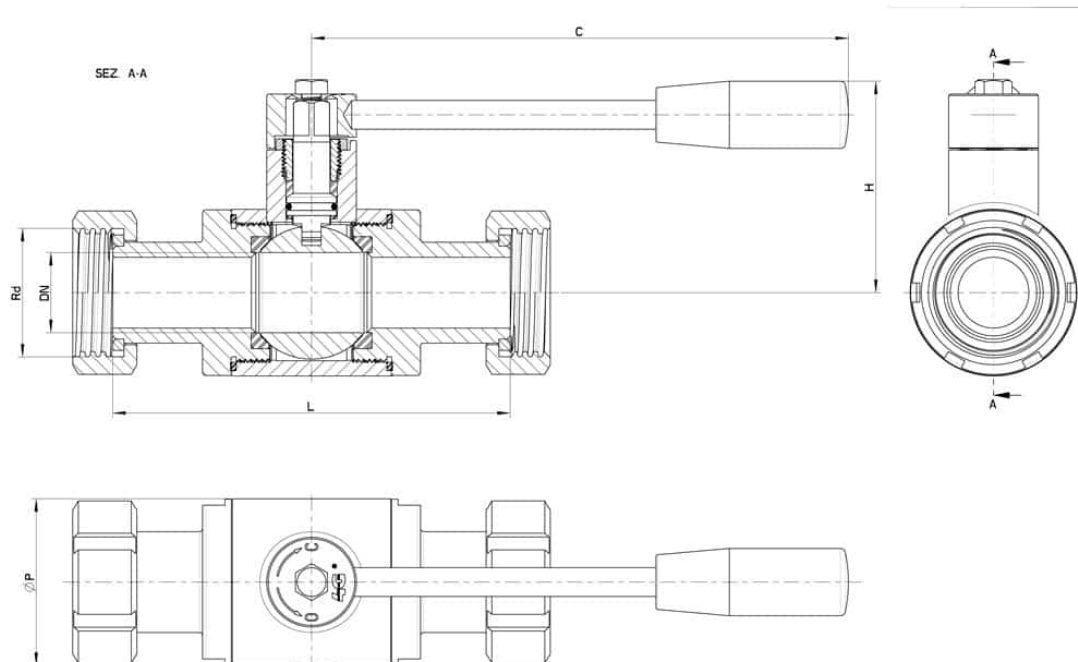
• Seals made of:

PTFE with glass -20°C+170°C

PTFE with carbographite -20°C+180°C

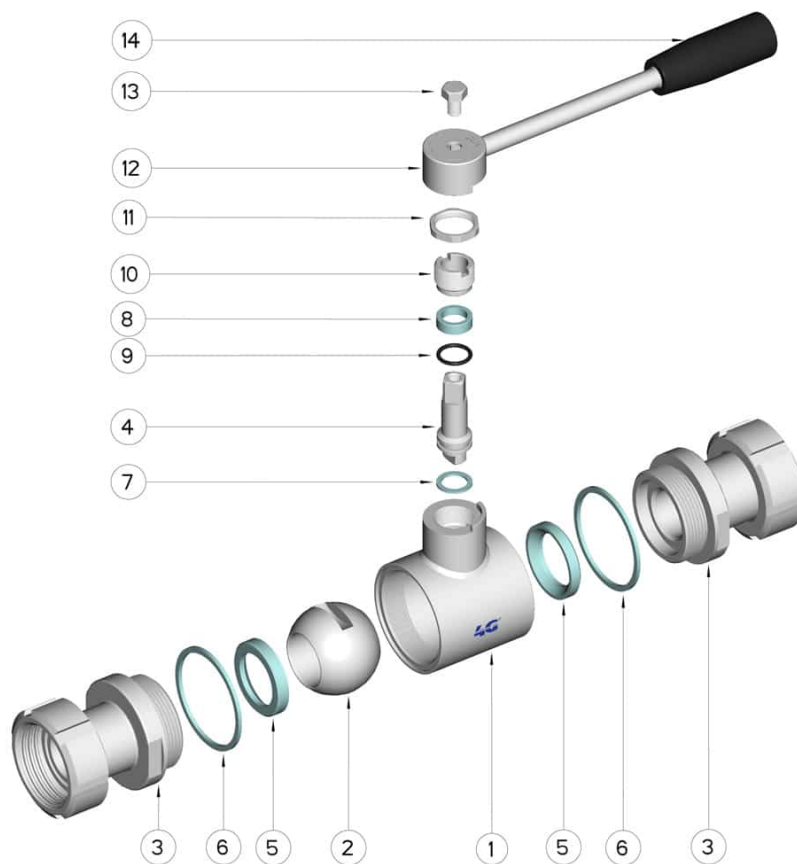
PTFE with inox -20°C+200°C

UHMW High-molecular weight polyethylene -20°C+80°C



DN	SMS	Rd	L	I	C	H	Ø P	PN	Kg	CODE AISI 304L	CODE AISI 316L
20	(Reduced) 25	40 x 1/6"	114	20	110	60	42	100	1,06	-	100146 62410
25	25	40 x 1/6"	124	20	160	65	52	64	1,55	-	100146 62610
40	38	60 x 1/6"	144	25	190	80	73	64	3,04	-	100146 63410
50	51	70 x 1/6"	156	26	190	90	88	40	4,54	-	100146 63810
65	63	85 x 1/6"	178	30	220	110	113	40	7,66	-	100146 64410
65	(Reduced) 76	98 x 1/6"	182	30	235	110	113	40	7,66	-	100146 64510
80	76	98 x 1/6"	198	32	285	130	135	40	10,8	100146 44810	100146 64810
100	104	125 x 1/4"	206	32	310	150	167	25	17,26	100146 45410	100146 65410
100	101	132 x 1/6"	206	32	310	150	167	25	17,26	100146 45510	100146 65510

*PASSAGGIO RIDOTTO



Position	Denomination	PEZZI	MATERIAL
1	Body	1	AISI (304L) 316L
2	Ball	1	AISI (304L) 316L
3	Sleeves	2	AISI (304L) 316L
4	Stem	1	AISI (304L) 316L
5	Ball Seals	2	PTFE Vergine Modificato
6	Sleeve Seals	2	PTFE
7	Inferior stem Seal	1	PTFE
8	Upper stem Seal	1	PTFE
9	Stem or-Seal	1	FKM
10	Register ring	1	AISI 304L (303)
11	Locknut	1	AISI 304L
12	Lever	1	AISI 304L
13	SCREW	1	AISI 304L
14	Handle	1	DUROPLAST (PF)

