

100144 STANDARD SEALS - F/F SMS



TWO-way ball valve

Drive: Inox lever

Connection: SMS female/female

Flow: Full

Material: Aisi 304L (1.4307) - Aisi 316L (1.4404)

Measure: from DN20 to DN100

Seals: Modified Virgin P.T.F.E.

Operating temperature: -20°C+170°C

Outer finish: Polished

On request:

Antistatic device ATEX:

II 2G Ex h IIC T4 Gb

II 2D Ex h IIIC T135°C Db

M.O.C.A. CE 1935/2004

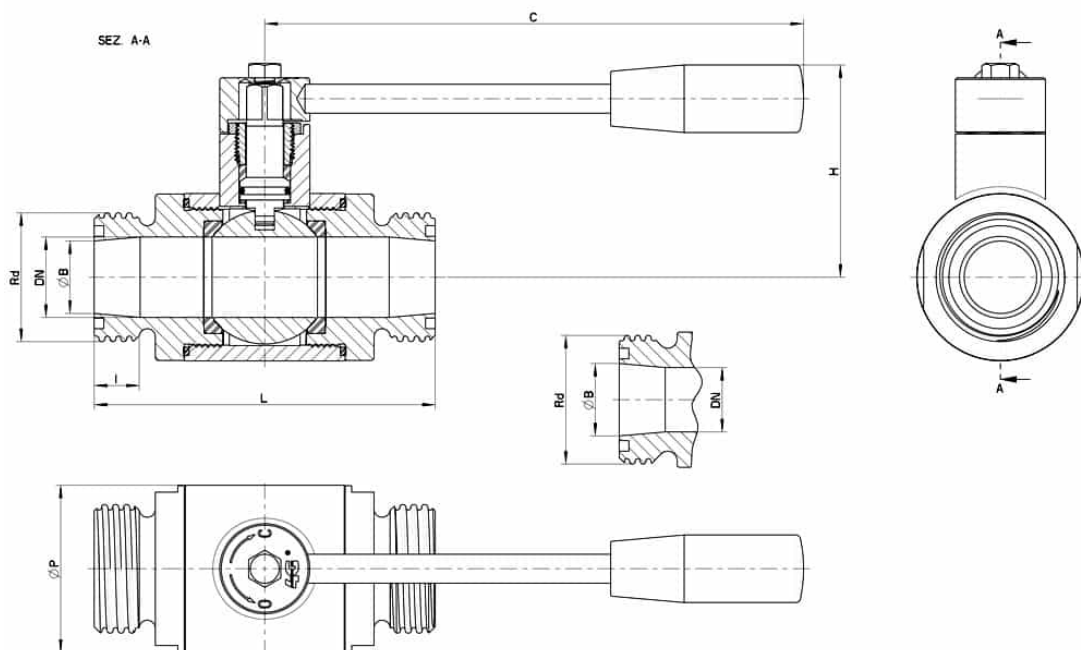
• Seals made of:

PTFE with glass -20°C+170°C

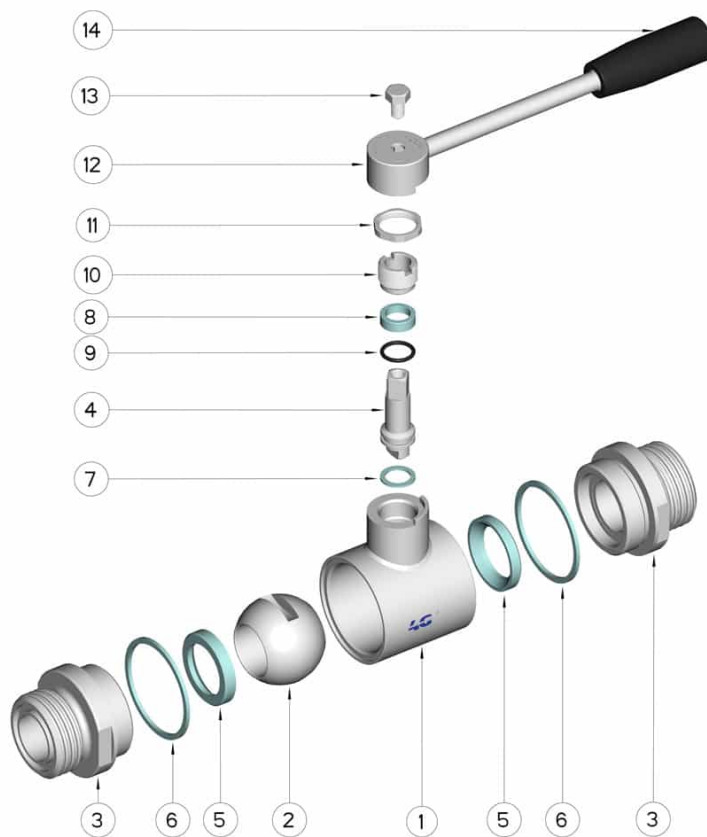
PTFE with carbographite -20°C+180°C

PTFE with inox -20°C+200°C

UHMW High-molecular weight polyethylene -20°C+80°C



DN	Ø B	SMS	Rd	L	I	C	H	Ø P	PN	Kg	CODE AISI 304L	CODE AISI 316L
20	22,5	(Reduced) 25	40 x 1/6"	102	19	110	50	42	100	-	-	100144 62410
25	22,5	25	40 x 1/6"	106	19	160	65	52	64	-	-	100144 62610
40	35,5	38	60 x 1/6"	126	19	190	80	73	64	-	-	100144 63410
50	48,5	51	70 x 1/6"	136	20	190	90	88	40	-	-	100144 63810
65	60,5	63	85 x 1/6"	154	22	235	110	113	40	-	-	100144 64410
65	72,2	(Reduced) 76	98 x 1/6"	154	22	220	110	113	40	-	-	100144 64510
80	72,2	76	98 x 1/6"	184	27	285	130	135	40	-	100144 44810	100144 64810
100	98	104	125 x 1/4"	190	28	310	150	167	25	-	100144 45410	100144 65410
100	98	101	132 x 1/6"	190	28	310	150	167	25	-	100144 45510	100144 65510



Position	Denomination	PEZZI	MATERIAL
1	Body	1	AISI (304L) 316L
2	Ball	1	AISI (304L) 316L
3	Sleeves	2	AISI (304L) 316L
4	Stem	1	AISI (304L) 316L
5	Ball Seals	2	PTFE Vergine Modificato
6	Sleeve Seals	2	PTFE
7	Stem Seal	1	PTFE
8	Stem Seal	1	PTFE
9	Stem or-Seal	1	FKM
10	Register ring	1	AISI 304L (303)
11	Locknut	1	AISI 304L
12	Lever	1	AISI 304L
13	SCREW	1	AISI 304L
14	Handle	1	DUROPLAST (PF)

