

100142_STANDARD SEALS_BUTT-WELDING IN ACCORDING TO ISO 1127



TWO-way ball valve

Drive: Inox lever

Connection: Butt-welding in according to ISO 1127

Flow: Full

Material: Aisi Aisi 316L (1.4404)

Measure: from DN10 to DN100

Seals: Modified Virgin P.T.F.E.

Operating temperature: -20°C+170°C

Outer finish: Polished

On request:

Antistatic device ATEX:

II 2G Ex h IIC T4 Gb

II 2D Ex h IIIC T135°C Db

M.O.C.A. CE 1935/2004

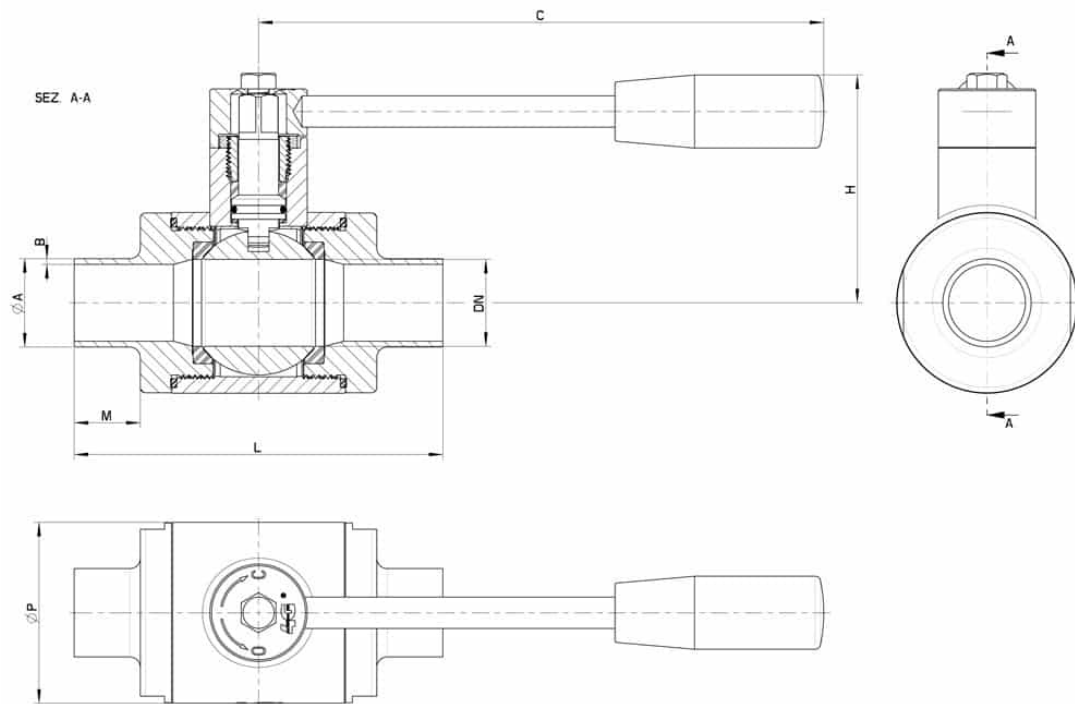
• Seals made of:

PTFE with glass -20°C+170°C

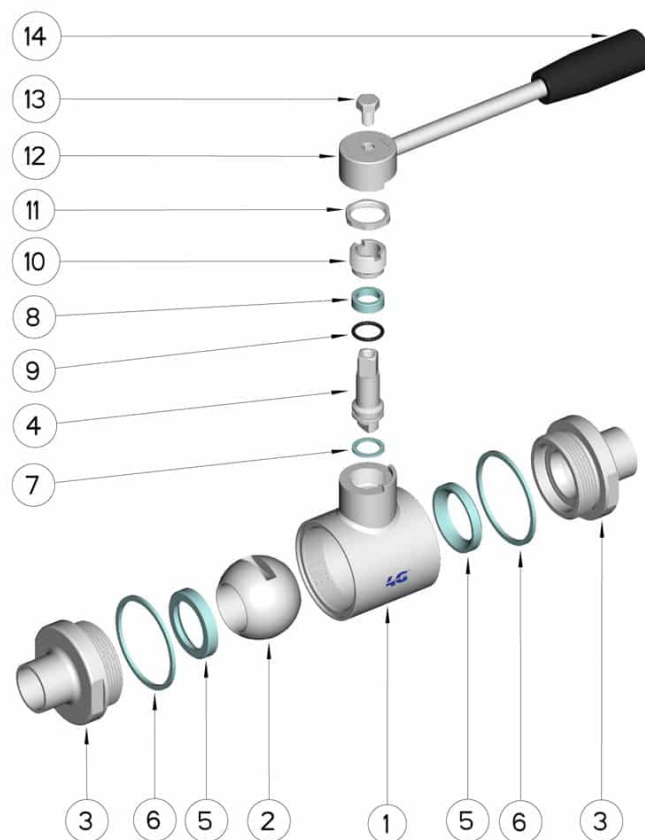
PTFE with carbographite -20°C+180°C

PTFE with inox -20°C+200°C

UHMW High-molecular weight polyethylene -20°C+80°C



DN	L	C	H	Ø P	M	ØA x B	PN	Kg	CODE AISI 316L
10	88	110	50	30	16	17,2 x 1,65	100	--	100142 6B310
15	92	110	55	35	16	21,3 x 1,65	100	0,486	100142 6C210
20	102	110	60	42	18	26,9 x 1,65	100	--	100142 6E310
25	106	160	65	52	19	33,7 x 2	64	1,10	100142 6H910
32	112	160	70	60	19	42,4 x 2	64	1,34	100142 6L210
40	126	190	80	73	19	48,3 x 2	64	2,35	100142 6M110
50	136	190	90	88	19	60,3 x 2	40	3,40	100142 6Q910
65	154	220	110	113	21	76,1 x 2	40	5,75	100142 6U610
80	184	285	130	135	27	88,9 x 2	40	--	100142 6W910
100	190	310	150	167	27	114,3 x 2	25	--	100142 6Y410



Position	Denomination	PEZZI	MATERIAL
1	Body	1	AISI 316L
2	Ball	1	AISI 316L
3	Sleeves	2	AISI 316L
4	Stem	1	AISI 316L
5	Ball Seals	2	PTFE Vergine Modificato
6	Sleeve Seals	2	PTFE
7	Stem Seal	1	PTFE
8	Stem Seal	1	PTFE
9	Stem or-Seal	1	FKM
10	Register ring	1	AISI 304L (303)
11	Nut	1	AISI 304L
12	Washer	1	AISI 304L
13	Lever	1	AISI 304L
14	Handle	1	DUROPLAST (PF)

