

100142_STANDARD SEALS_BUTT-WELDING IN ACCORDING TO BS-OD (ASTM A-270)



TWO-way ball valve
Drive: Inox lever
Connection: Butt-welding in according to BS-OD (ASTM A-270)
Flow: Full
Material: Aisi 316L (1.4404)
Measure: from DN10 to DN100
Seals: Modified Virgin P.T.F.E.
Operating temperature: -20°C+170°C
Outer finish: Polished

On request:

Antistatic device ATEX:

II 2G Ex h IIC T4 Gb

II 2D Ex h IIIC T135°C Db

M.O.C.A. CE 1935/2004

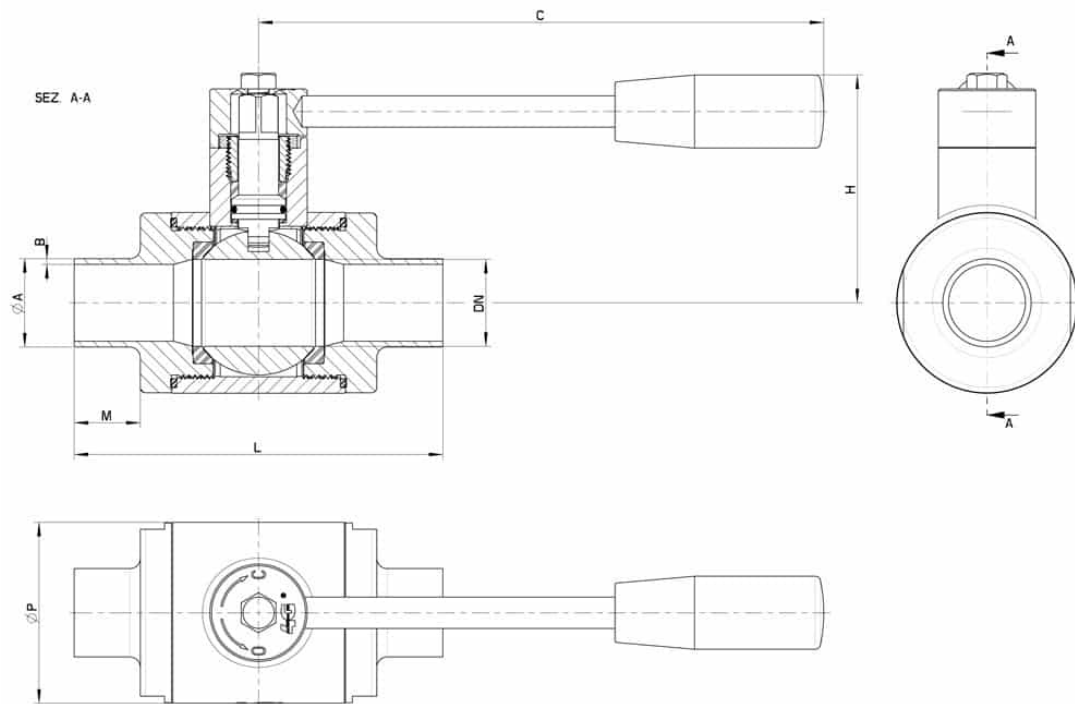
• Seals made of:

PTFE with glass -20°C+170°C

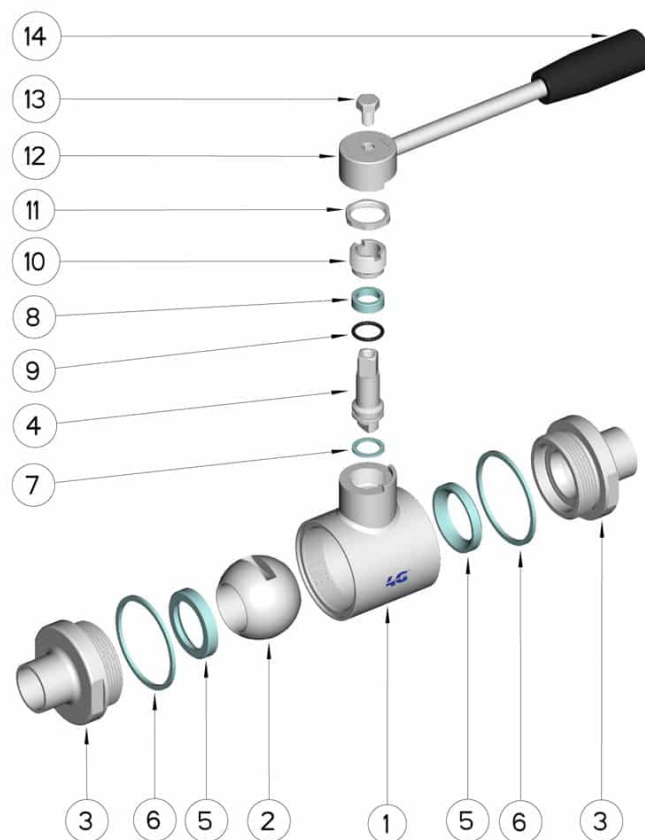
PTFE with carbographe -20°C+180°C

PTFE with inox -20°C+200°C

UHMW High-molecular weight polyethylene -20°C+80°C



| DN | L | C | H | Ø P | M | ØA x B | PN | Kg | COD. AISI 316L |
|-----|-----|-----|-----|-----|----|--------------|-----|-------|----------------|
| 10 | 88 | 110 | 55 | 30 | 16 | 12,7 x 1,65 | 100 | 0,486 | 100142 6A710 |
| 15 | 92 | 110 | 55 | 35 | 16 | 19,05 x 1,65 | 100 | 0,486 | 100142 6B910 |
| 20 | 102 | 110 | 60 | 42 | 18 | 25,4 x 1,65 | 100 | 0,66 | 100142 6D710 |
| 25 | 106 | 160 | 70 | 52 | 19 | 25,4 x 1,65 | 64 | 1,077 | 100142 6D810 |
| 32 | 112 | 160 | 80 | 60 | 19 | 38,1 x 1,65 | 64 | 1,35 | 100142 6J910 |
| 40 | 126 | 190 | 95 | 73 | 19 | 38,1 x 1,65 | 64 | 2,30 | 100142 6K110 |
| 50 | 136 | 190 | 100 | 88 | 19 | 50,8 x 1,65 | 40 | 3,37 | 100142 6M810 |
| 65 | 154 | 220 | 110 | 113 | 21 | 63,5 x 1,65 | 40 | 5,80 | 100142 6R710 |
| 80 | 184 | 285 | 130 | 135 | 27 | 76,1 x 2 | 40 | 8,80 | 100142 6U710 |
| 100 | 190 | 310 | 150 | 167 | 27 | 101,6 x 2,11 | 25 | 13,20 | 100142 6X410 |



| Position | Denomination | PEZZI | MATERIAL |
|----------|---------------|-------|-------------------------|
| 1 | Body | 1 | AISI 316L |
| 2 | Ball | 1 | AISI 316L |
| 3 | Sleeves | 2 | AISI 316L |
| 4 | Stem | 1 | AISI 316L |
| 5 | Ball Seals | 2 | PTFE Vergine Modificato |
| 6 | Sleeve Seals | 2 | PTFE |
| 7 | Stem Seal | 1 | PTFE |
| 8 | Stem Seal | 1 | PTFE |
| 9 | Stem or-Seal | 1 | FKM |
| 10 | Register ring | 1 | AISI 304L (303) |
| 11 | Nut | 1 | AISI 304L |
| 12 | Washer | 1 | AISI 304L |
| 13 | Lever | 1 | AISI 304L |
| 14 | Handle | 1 | DUROPLAST (PF) |

