

## 100133\_KF STANDARD SEALS



TWO-way ball valve

Drive: Inox lever

Connection: KF

Flow: Full

Material: Aisi 316L (1.4404)

Measure: from DN10 to DN50

Seals: Modified Virgin P.T.F.E. with Thrust OR

Operating temperature: -20°C+170°C

Outer finish: Polished

On request:

Antistatic device ATEX:

II 2G Ex h IIC T4 Gb

II 2D Ex h IIIC T135°C Db

M.O.C.A. CE 1935/2004

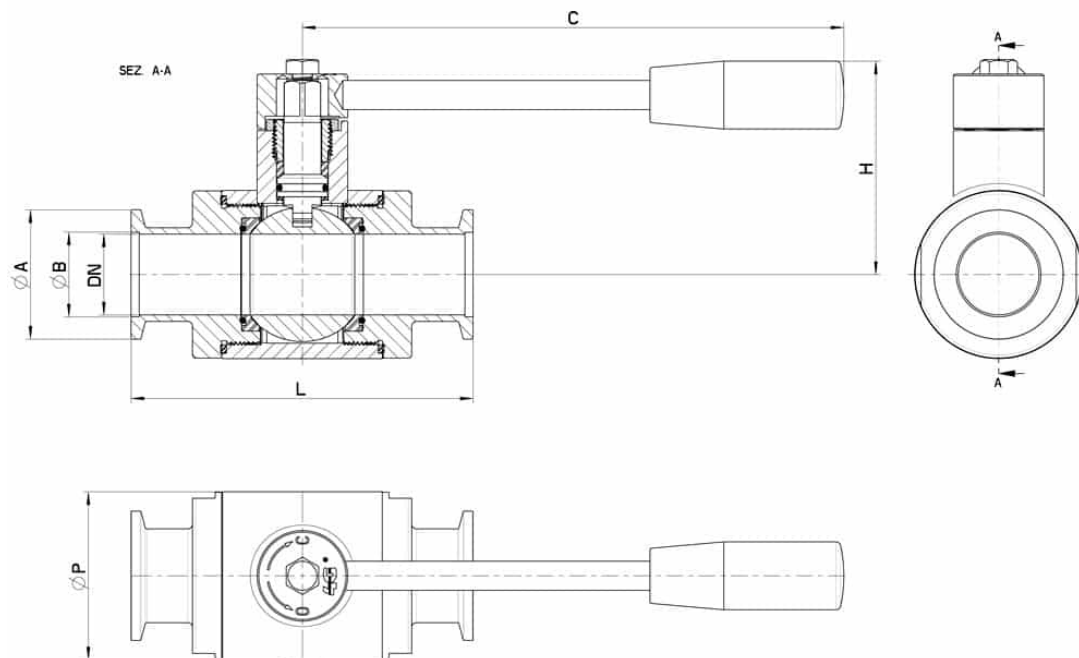
• Seals made of:

PTFE with glass -20°C+170°C

PTFE with carbographite -20°C+180°C

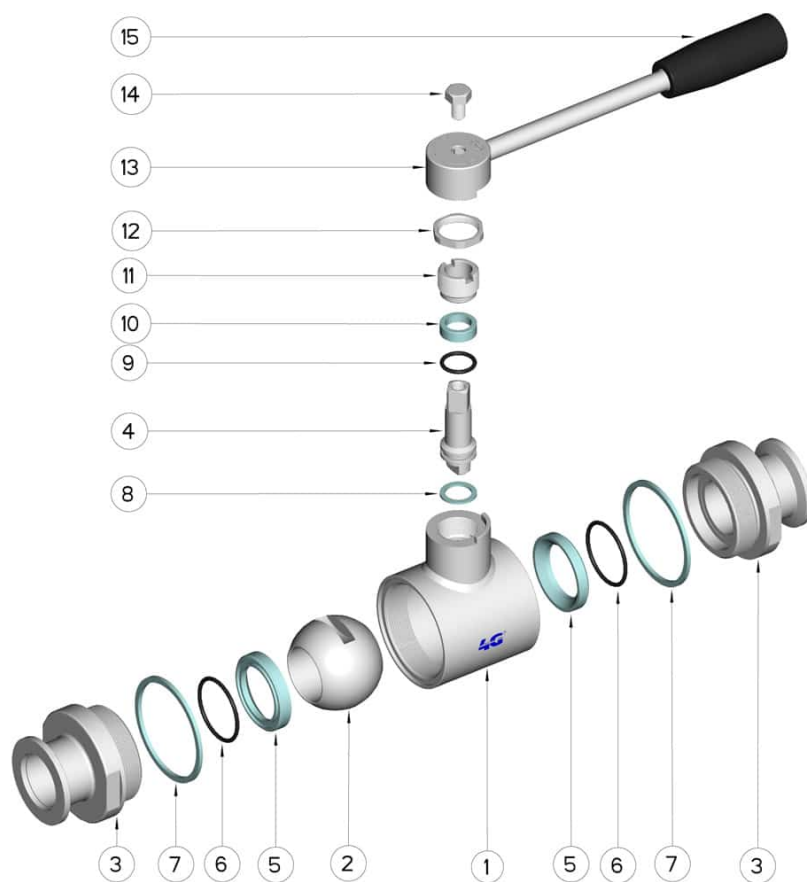
PTFE with inox -20°C+200°C

UHMW High-molecular weight polyethylene -20°C+80°C



---

KF	DN	L	Ø A	Ø B	C	H	Ø P	PN	Kg	CODE AISI 316L
30	10	88	30	12.2	110	50	30	100	0,43	100133 60860
30	15	92	30	17.2	110	55	35	100	0,51	100133 61460
40	20	102	40	22.2	110	60	42	100	0,93	100133 62060
40	25	106	40	26.2	160	65	52	64	1,33	100133 62660
55	32	112	55	34.2	160	70	60	64	1,42	100133 63060
55	40	126	55	41.2	190	80	73	64	2,43	100133 63460
75	50	136	75	52.2	190	90	88	40	3,51	100133 63860



Position	Denomination	PEZZI	MATERIAL
1	Body	1	AISI 316L
2	Ball	1	AISI 316L
3	Sleeves	2	AISI 316L
4	Stem	1	AISI 316L
5	Ball Seals	2	PTFE Vergine Modificato
6	OR reggispinta	2	FKM
7	Sleeve Seals	2	PTFE
8	Stem Seal	1	PTFE
9	Stem or-Seal	1	FKM
10	Stem Seal	1	PTFE
11	Register ring	1	AISI 304L (303)
12	Locknut	1	AISI 304L
13	Lever	1	AISI 304L
14	SCREW	1	AISI 304L
15	Handle	1	DUROPLAST (PF)

