

100131 STANDARD SEALS - GAROLLA



TWO-way ball valve

Drive: Inox lever

Connection: GAROLLA

Flow: Full and reduced

Material: Aisi 304L (1.4307) - Aisi 316L (1.4404)

Measure: from DN32 to DN100

Seals: Modified Virgin P.T.F.E.

Operating temperature: -20°C+170°C

Outer finish: Polished

On request:

Antistatic device ATEX:

II 2G Ex h IIC T4 Gb

II 2D Ex h IIIC T135°C Db

M.O.C.A. CE 1935/2004

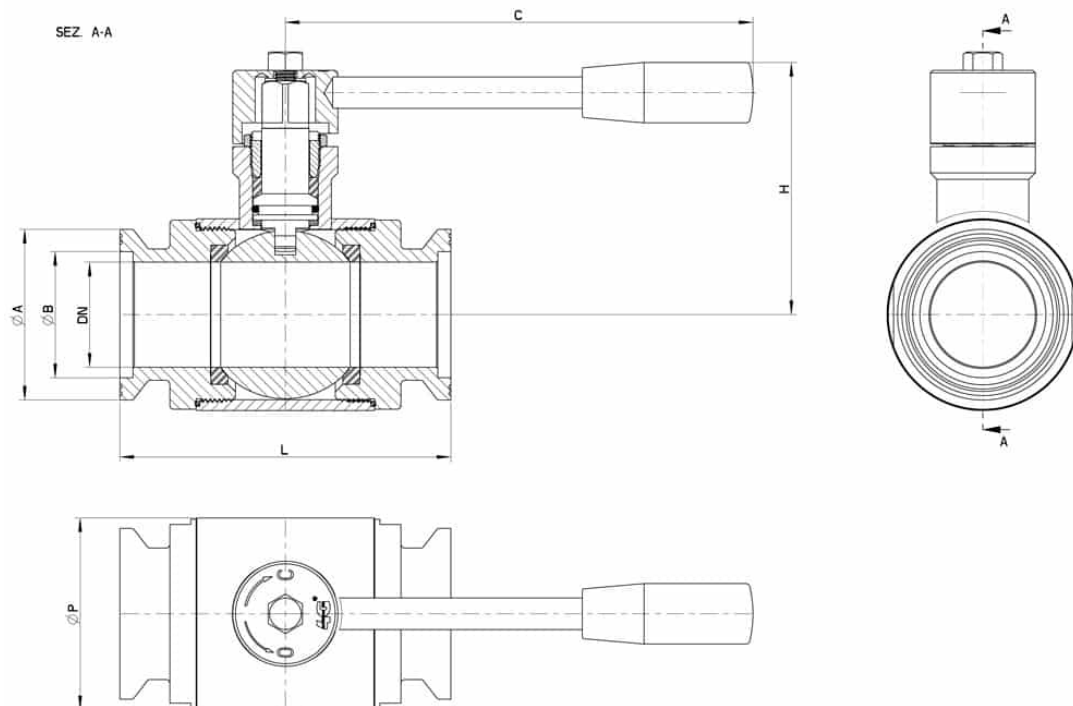
• Seals made of:

PTFE with glass -20°C+170°C

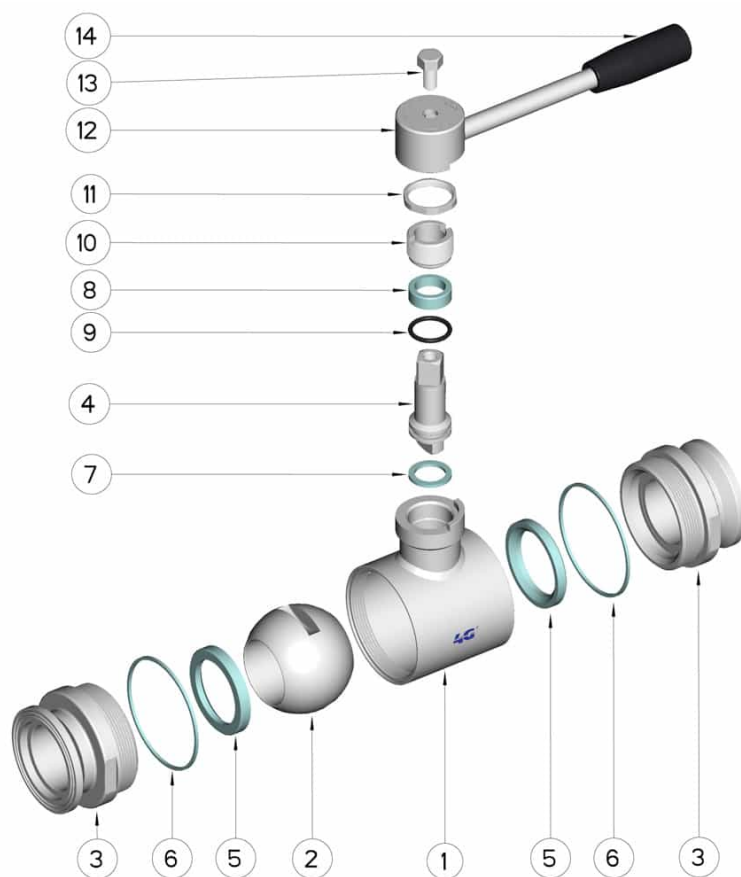
PTFE with carbographite -20°C+180°C

PTFE with inox -20°C+200°C

UHMW High-molecular weight polyethylene -20°C+80°C



GAROLLA	DN	L	Ø A	Ø B	C	H	Ø P	PN	Kg	CODE AISI 304L	CODE AISI 316L
40	(Reduced) 32	112	65	48	160	70	60	64	1,75	-	100131 63210
40	40	126	65	48	190	80	73	64	2,70	-	100131 63410
50	(Reduced) 40	126	75	56	190	80	73	64	2,90	-	100131 63610
50	50	136	75	56	190	90	88	40	3,60	-	100131 63810
60	(Reduced) 50	136	87	66	190	90	88	40	3,75	-	100131 63910
70	65	154	97	76	220	110	113	40	6,10	-	100131 64410
80	80	184	109	86	285	130	135	40	9,40	100131 44810	100131 64810
100	100	190	129	106	310	150	167	25	14,00	100131 45410	100131 65410
120	(Reduced) 100	202	158	129	310	150	167	25	15,00	100131 45510	100131 65510



Position	Denomination	PEZZI	MATERIAL
1	Body	1	AISI (304L) 316L
2	Ball	1	AISI (304L) 316L
3	Sleeves	2	AISI (304L) 316L
4	Stem	1	AISI (304L) 316L
5	Ball Seals	2	PTFE Vergine Modificato
6	Sleeve Seals	2	PTFE
7	Stem Seal	1	PTFE
8	Stem Seal	1	PTFE
9	Stem or-Seal	1	FKM
10	Register ring	1	AISI 304L (303)
11	Nut	1	AISI 304L
12	Washer	1	AISI 304L
13	Lever	1	AISI 304L
14	Handle	1	DUROPLAST (PF)

