

## 100130C FOR ISO PIPE - HEATING JACKET



TWO-way ball valve with HEATING JACKET

Drive: Inox lever

Connection: **CLAMP normative DIN 32676 TAB.3 REIHE B**  
**For TUBE according to normative ISO 1127**

Flow: Full and reduced

Material: AISI 316L (1.4404)

Measure: from DN25 to DN100

Seals: Modified Virgin P.T.F.E.

Operating temperature: -20°C +170°C

Outer finish: Polished

On request:

Antistatic device ATEX:

II 2G Ex h IIC T4 Gb

II 2D Ex h IIIC T135°C Db

M.O.C.A. CE 1935/2004

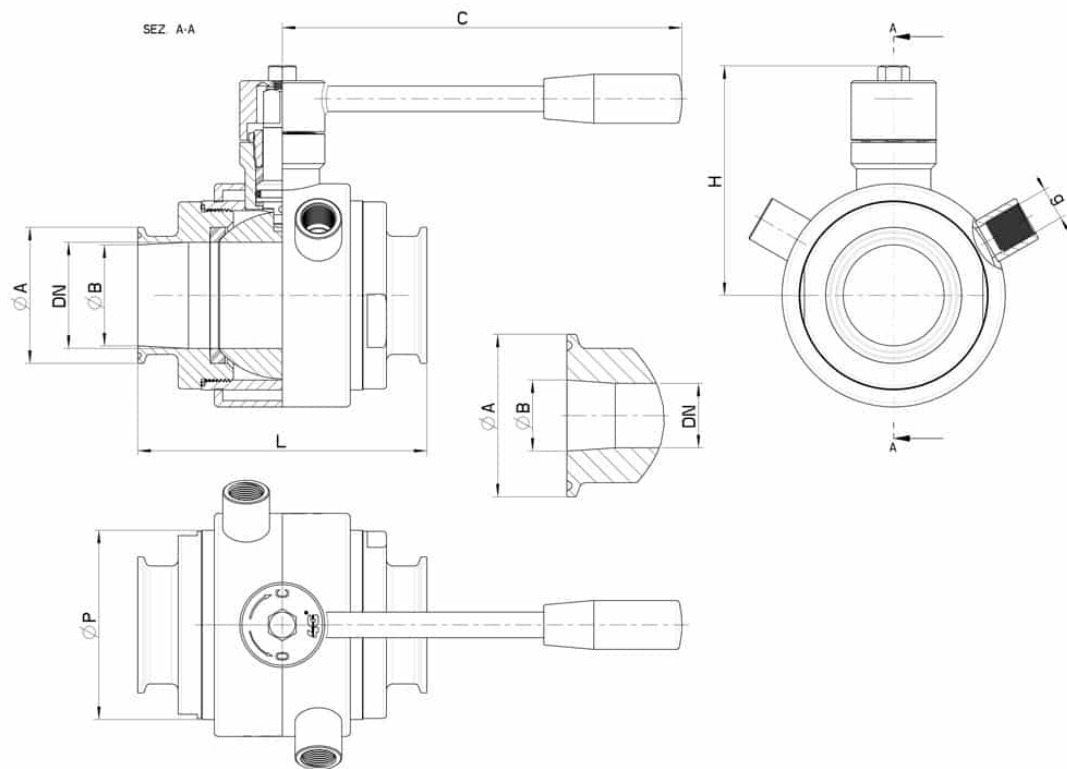
• Seals made of:

PTFE with glass -20°C+170°C

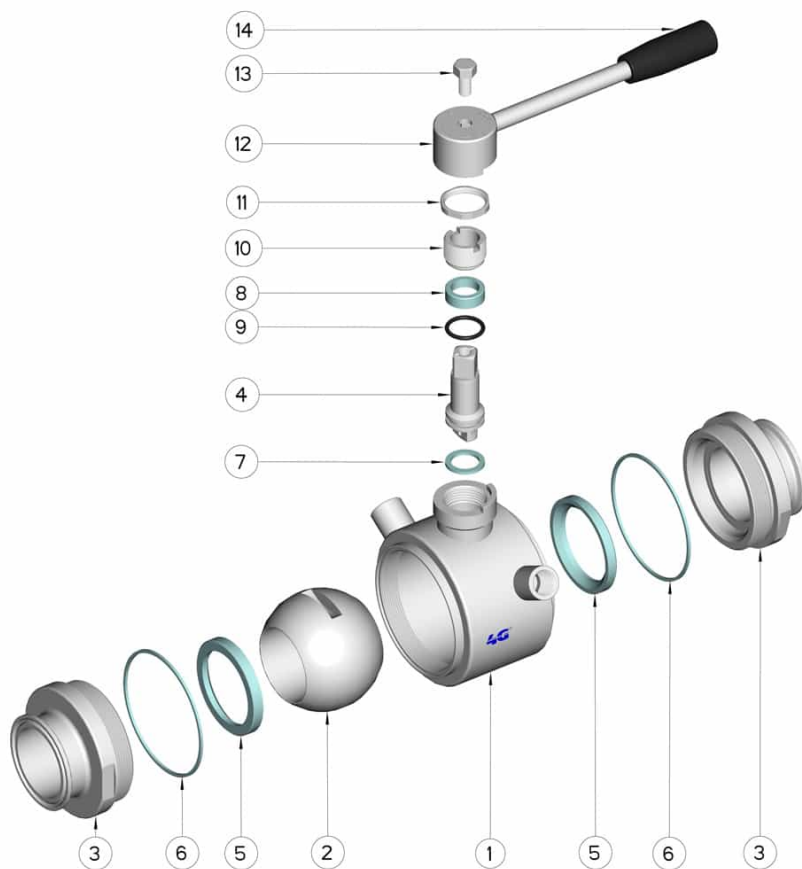
PTFE with carbographite -20°C+180°C

PTFE with inox -20°C+200°C

UHMW High-molecular weight polyethylene -20°C+80°C



| CLAMP REIHNE B OD | DN  | L   | Ø A  | Ø B   | C   | H   | ØP  | g    | PN | Kg | CODE AISI 316L |
|-------------------|-----|-----|------|-------|-----|-----|-----|------|----|----|----------------|
| 26.9              | 25  | 106 | 50,5 | 23.7  | 160 | 65  | 52  | 1/4" | 64 | -  | 100130C62510   |
| 33.7              | 25  | 106 | 50,5 | 29.7  | 160 | 65  | 52  | 1/4" | 64 | -  | 100130C62710   |
| 33.7              | 32  | 112 | 50,5 | 29.7  | 160 | 70  | 60  | 1/4" | 64 | -  | 100130C63110   |
| 42.4              | 40  | 126 | 64   | 38.4  | 190 | 80  | 73  | 3/8" | 64 | -  | 100130C63310   |
| 48.3              | 40  | 126 | 64   | 44.3  | 190 | 80  | 73  | 3/8" | 64 | -  | 100130C63710   |
| 60.3              | 50  | 136 | 77.5 | 56.3  | 190 | 90  | 88  | 3/8" | 40 | -  | 100130C64110   |
| 76.1              | 65  | 154 | 91   | 72.1  | 220 | 110 | 113 | 1/2" | 40 | -  | 100130C64710   |
| 88.9              | 80  | 184 | 106  | 84.3  | 285 | 130 | 135 | 1/2" | 40 | -  | 100130C65110   |
| 114.3             | 100 | 190 | 130  | 109.7 | 310 | 150 | 167 | 1/2" | 25 | -  | 100130C65310   |



| Position | Denomination  | PEZZI | MATERIAL                |
|----------|---------------|-------|-------------------------|
| 1        | Body          | 1     | AISI (304L) 316L        |
| 2        | Ball          | 1     | AISI (304L) 316L        |
| 3        | Sleeves       | 2     | AISI (304L) 316L        |
| 4        | Stem          | 1     | AISI (304L) 316L        |
| 5        | Ball Seals    | 2     | PTFE Vergine Modificato |
| 6        | Sleeve Seals  | 2     | PTFE                    |
| 7        | Stem Seal     | 1     | PTFE                    |
| 8        | Stem Seal     | 1     | PTFE                    |
| 9        | Stem or-Seal  | 1     | FKM                     |
| 10       | Register ring | 1     | AISI 304L (303)         |
| 11       | Locknut       | 1     | AISI 304L               |
| 12       | Lever         | 1     | AISI 304L               |
| 13       | SCREW         | 1     | AISI 304L               |
| 14       | Handle        | 1     | DUROPLAST (PF)          |

