

## 100130C FOR DIN PIPE - HEATING JACKET



TWO-way ball valve with HEATING JACKET

Drive: Inox lever

Connection: **CLAMP normative DIN 32676 TAB.2 REIHE A**  
**For TUBE according to normative DIN 11850**

Flow: Full and reduced

Material: Aisi 316L (1.4404)

Measure: from DN25 to DN100

Seals: Modified Virgin P.T.F.E.

Operating temperature: -20°C+170°C

Outer finish: Polished

On request:

Antistatic device ATEX:

II 2G Ex h IIC T4 Gb

II 2D Ex h IIIC T135°C Db

M.O.C.A. CE 1935/2004

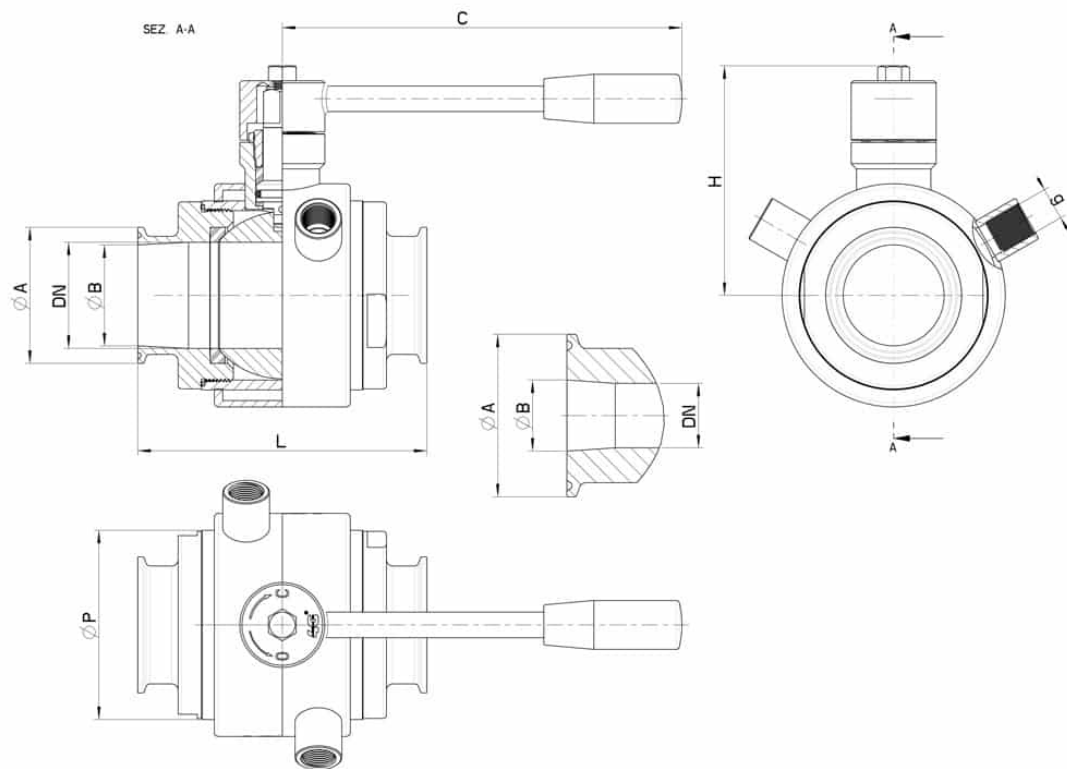
• Seals made of:

PTFE with glass -20°C+170°C

PTFE with carbographite -20°C+180°C

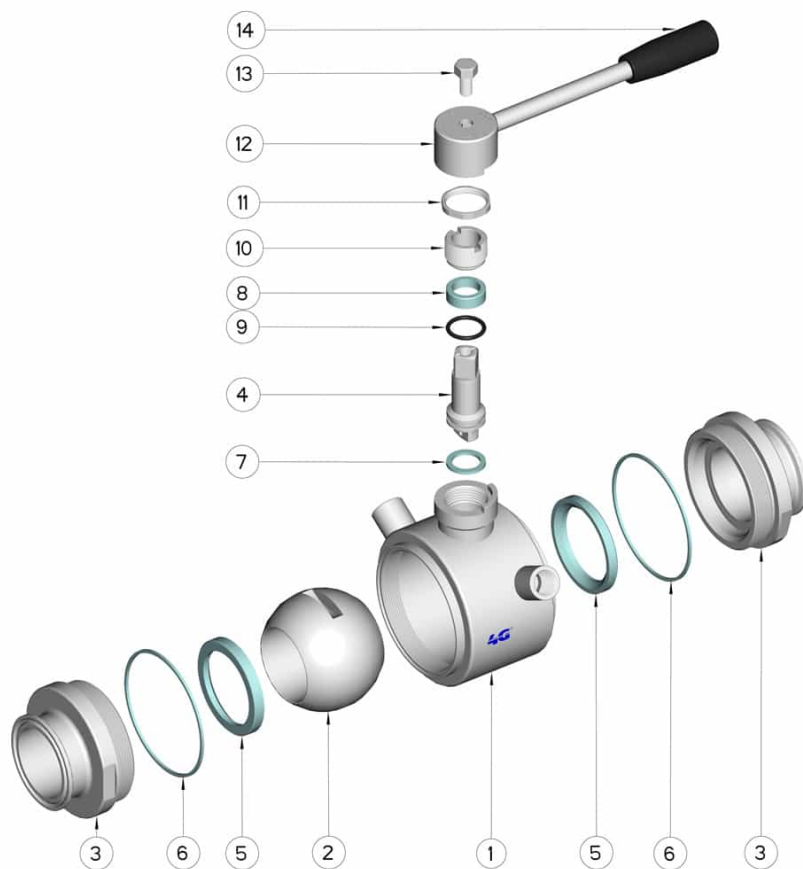
PTFE with inox -20°C+200°C

UHMW High-molecular weight polyethylene -20°C+80°C



---

CLAMP REIHNE A DN	L	Ø A	Ø B	C	H	ØP	g	PN	Kg	CODE AISI 316L
25	106	50,5	26	160	65	52	1/4"	64	1,57	100130C62810
32	112	50,5	32	160	70	60	1/4"	64	-	100130C63010
40	126	50,5	38	190	80	73	3/8"	64	-	100130C63510
50	136	64	50	190	90	88	3/8"	40	-	100130C64010
65	154	91	66	220	110	113	1/2"	40	-	100130C64610
80	184	106	81	285	130	135	1/2"	40	-	100130C64910
100	190	119	100	310	150	167	1/2"	25	-	100130C65610



Position	Denomination	PEZZI	MATERIAL
1	Body	1	AISI (304L) 316L
2	Ball	1	AISI (304L) 316L
3	Sleeves	2	AISI (304L) 316L
4	Stem	1	AISI (304L) 316L
5	Ball Seals	2	PTFE Vergine Modificato
6	Sleeve Seals	2	PTFE
7	Stem Seal	1	PTFE
8	Stem Seal	1	PTFE
9	Stem or-Seal	1	FKM
10	Register ring	1	AISI 304L (303)
11	Locknut	1	AISI 304L
12	Lever	1	AISI 304L
13	SCREW	1	AISI 304L
14	Handle	1	DUROPLAST (PF)

