

100130C FOR BS PIPE - HEATING JACKET



TWO-way ball valve with HEATING JACKET

Drive: Inox lever

Connection: **CLAMP normative DIN 32676 TAB.4 REIHE C**
For TUBE according to normative BS/OD (ASTM A270)

Flow: Full and reduced

Material: Aisi 304L (1.4307) - Aisi 316L (1.4404)

Measure: from 1" to 4"

Seals: Modified Virgin P.T.F.E.

Operating temperature: -20°C+170°C

Outer finish: Polished

On request:

Antistatic device ATEX:

II 2G Ex h IIC T4 Gb

II 2D Ex h IIIC T135°C Db

M.O.C.A. CE 1935/2004

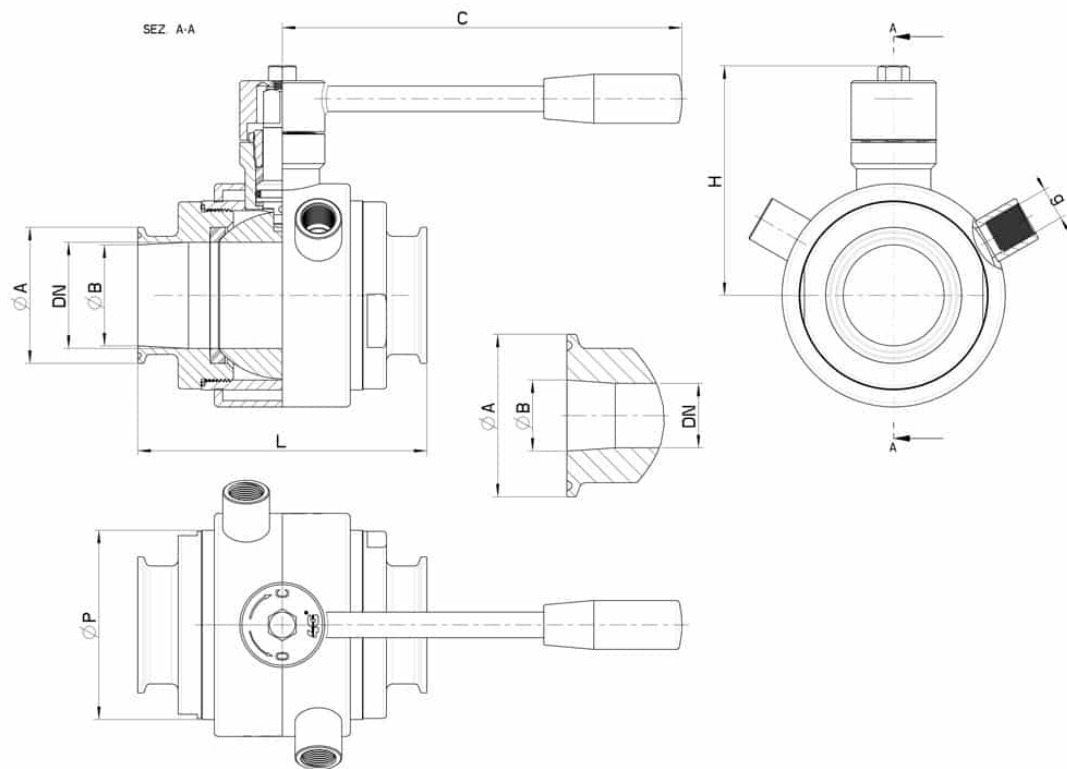
• Seals made of:

PTFE with glass -20°C+170°C

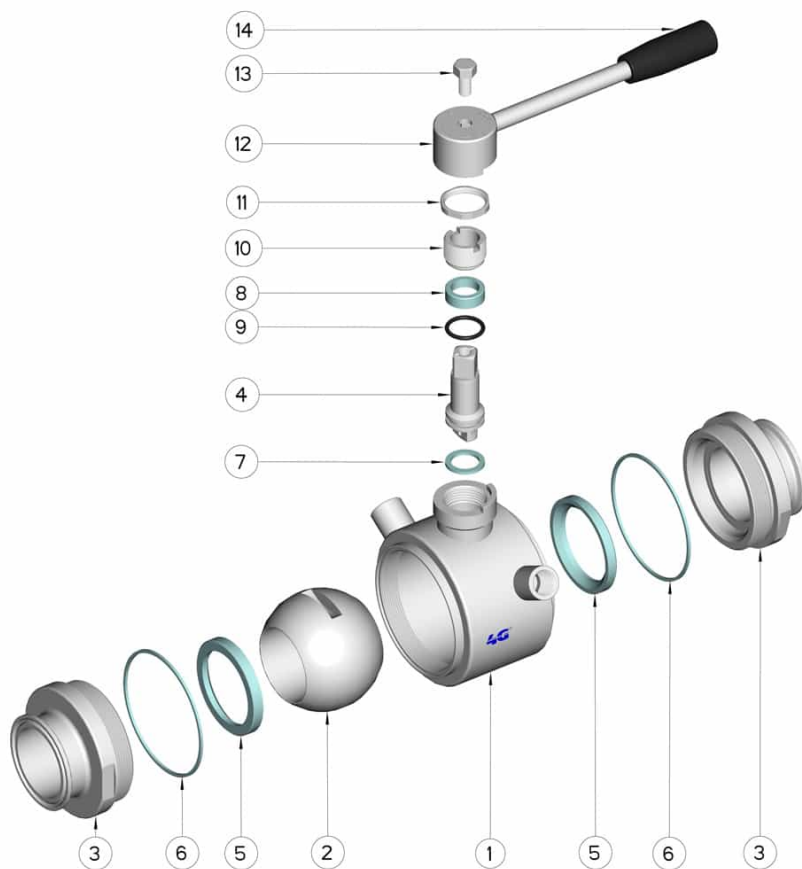
PTFE with carbographite -20°C+180°C

PTFE with inox -20°C+200°C

UHMW High-molecular weight polyethylene -20°C+80°C



CLAMP	DN	L	Ø A	Ø B	C	H	ØP	g	PN	Kg	COD. AISI 304L	COD. AISI 316L
1"	25	106	50,5	22,1	160	65	52	1/4"	64	-	-	100130C62610
1"1/2	32	112	50,5	34,8	160	74	60	1/4"	64	-	-	100130C63210
1"1/2	40	126	50,5	34,8	190	92	73	3/8"	64	-	-	100130C63410
2"	50	136	64	47,5	190	110	88	3/8"	40	-	-	100130C63810
2"1/2	65	154	77,5	60,2	220	115	113	1/2"	40	-	-	100130C64410
3"	80	184	91	72,9	285	130	135	1/2"	40	-	100130C44810	100130C64810
4"	100	190	119	97,38	310	150	167	1/2"	25	-	100130C45410	100130C65410



Position	Denomination	PEZZI	MATERIAL
1	Body	1	AISI (304L) 316L
2	Ball	1	AISI (304L) 316L
3	Sleeves	2	AISI (304L) 316L
4	Stem	1	AISI (304L) 316L
5	Ball Seals	2	PTFE Vergine Modificato
6	Sleeve Seals	2	PTFE
7	Stem Seal	1	PTFE
8	Stem Seal	1	PTFE
9	Stem or-Seal	1	FKM
10	Register ring	1	AISI 304L (303)
11	Locknut	1	AISI 304L
12	Lever	1	AISI 304L
13	SCREW	1	AISI 304L
14	Handle	1	DUROPLAST (PF)

