

100130 FOR ISO PIPE



TWO-way ball valve

Drive: Inox lever

Connection: **CLAMP normative DIN 32676 TAB.3 REIHE B**
For TUBE according to normative ISO 1127

Flow: Full and reduced

Material: AISI 316L (1.4404)

Measure: from DN10 to DN100

Seals: Modified Virgin P.T.F.E.

Operating temperature: -20°C +170°C

Outer finish: Polished

On request:

Antistatic device ATEX:

II 2G Ex h IIC T4 Gb

II 2D Ex h IIIC T135°C Db

M.O.C.A. CE 1935/2004

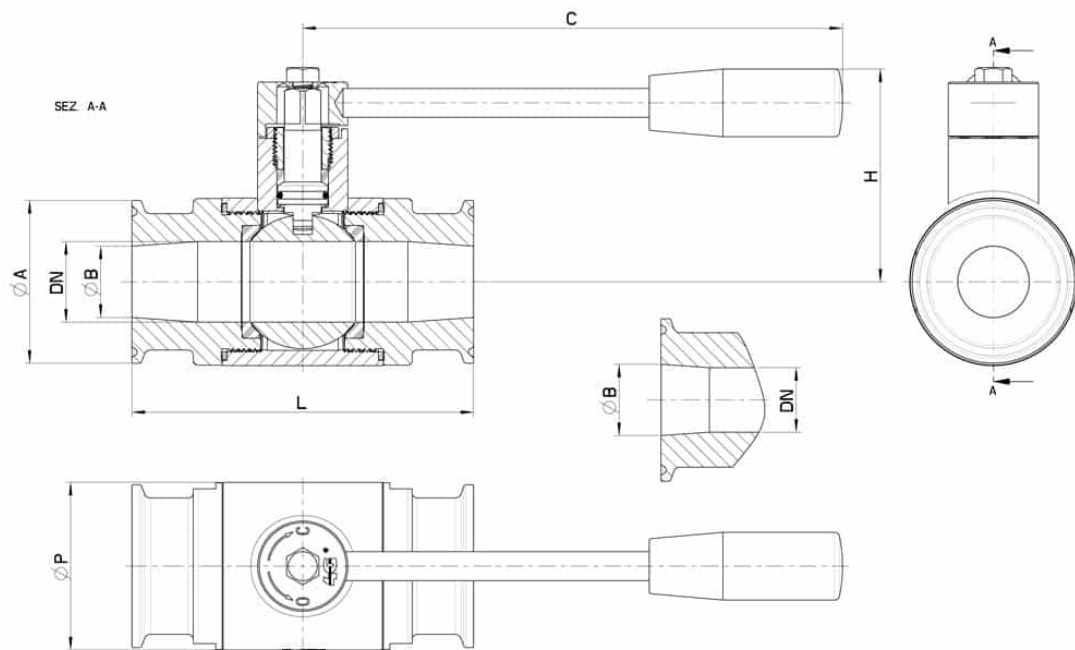
• Seals made of:

PTFE with glass -20°C+170°C

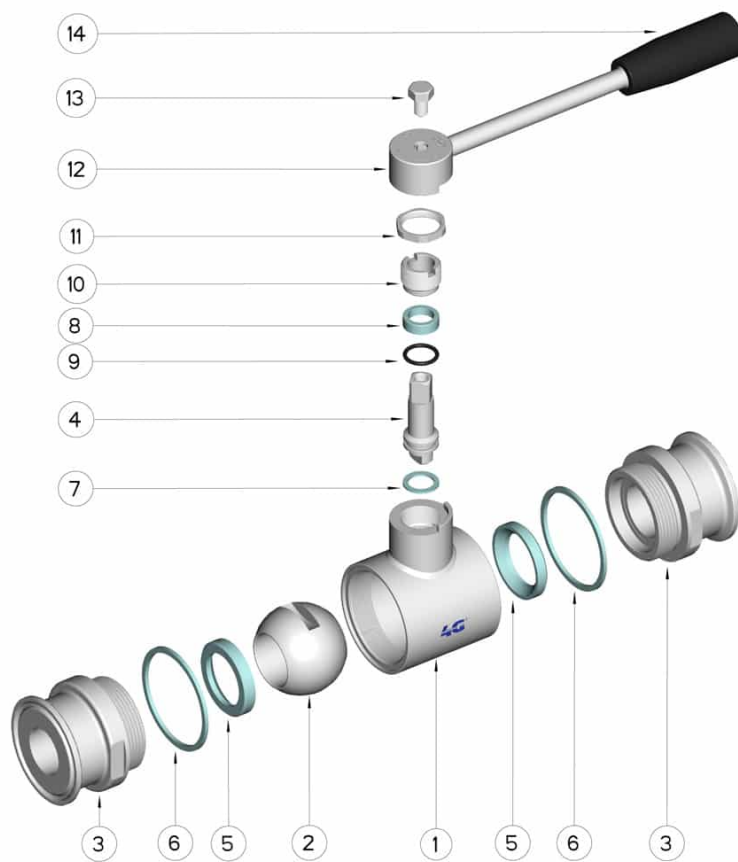
PTFE with carbographite -20°C+180°C

PTFE with inox -20°C+200°C

UHMW High-molecular weight polyethylene -20°C+80°C



| CLAMP REIHNE B OD | DN | L | Ø A | Ø B | C | H | ØP | PN | Kg | CODE AISI 316L |
|-------------------|-----|-----|------|-------|-----|-----|-----|-----|-------|----------------|
| 13.5 | 10 | 88 | 25 | 10.3 | 110 | 50 | 30 | 100 | 0,43 | 100130 61110 |
| 17.2 | 15 | 92 | 25 | 14 | 110 | 55 | 35 | 100 | 0,52 | 100130 61710 |
| 21.3 | 20 | 102 | 50.5 | 18.1 | 110 | 60 | 42 | 100 | 0,93 | 100130 62310 |
| 26.9 | 25 | 106 | 50.5 | 23.7 | 160 | 65 | 52 | 64 | 1,35 | 100130 62510 |
| 33.7 | 25 | 106 | 50.5 | 29.7 | 160 | 65 | 52 | 64 | 1,33 | 100130 62710 |
| 33.7 | 32 | 112 | 50.5 | 29.7 | 160 | 70 | 60 | 64 | 1,42 | 100130 63110 |
| 42.4 | 40 | 126 | 64 | 38.4 | 190 | 80 | 73 | 64 | 2,43 | 100130 63310 |
| 48.3 | 40 | 126 | 64 | 44.3 | 190 | 80 | 73 | 64 | 2,43 | 100130 63710 |
| 60.3 | 50 | 136 | 77.5 | 56.3 | 190 | 90 | 88 | 40 | 3,51 | 100130 64110 |
| 76.1 | 65 | 154 | 91 | 72.1 | 220 | 110 | 113 | 40 | 5,80 | 100130 64710 |
| 88.9 | 80 | 184 | 106 | 84.3 | 285 | 130 | 135 | 40 | 9,00 | 100130 65110 |
| 114.3 | 100 | 190 | 130 | 109.7 | 310 | 150 | 167 | 25 | 13,60 | 100130 65310 |



| Position | Denomination | PEZZI | MATERIAL |
|----------|---------------|-------|-------------------------|
| 1 | Body | 1 | AISI (304L) 316L |
| 2 | Ball | 1 | AISI (304L) 316L |
| 3 | Sleeves | 2 | AISI (304L) 316L |
| 4 | Stem | 1 | AISI (304L) 316L |
| 5 | Ball Seals | 2 | PTFE Vergine Modificato |
| 6 | Sleeve Seals | 2 | PTFE |
| 7 | Stem Seal | 1 | PTFE |
| 8 | Stem Seal | 1 | PTFE |
| 9 | Stem or-Seal | 1 | FKM |
| 10 | Register ring | 1 | AISI 304L (303) |
| 11 | Locknut | 1 | AISI 304L |
| 12 | Lever | 1 | AISI 304L |
| 13 | SCREW | 1 | AISI 304L |
| 14 | Handle | 1 | DUROPLAST (PF) |

