

100130 FOR DIN PIPE



TWO-way ball valve

Drive: Inox lever

Connection: **CLAMP normative DIN 32676 TAB.2 REIHE A**
For TUBE according to normative DIN 11850

Flow: Full and reduced

Material: Aisi 316L (1.4404)

Measure: from DN10 to DN100

Seals: Modified Virgin P.T.F.E.

Operating temperature: -20°C+170°C

Outer finish: Polished

On request:

Antistatic device ATEX:

II 2G Ex h IIC T4 Gb

II 2D Ex h IIIC T135°C Db

M.O.C.A. CE 1935/2004

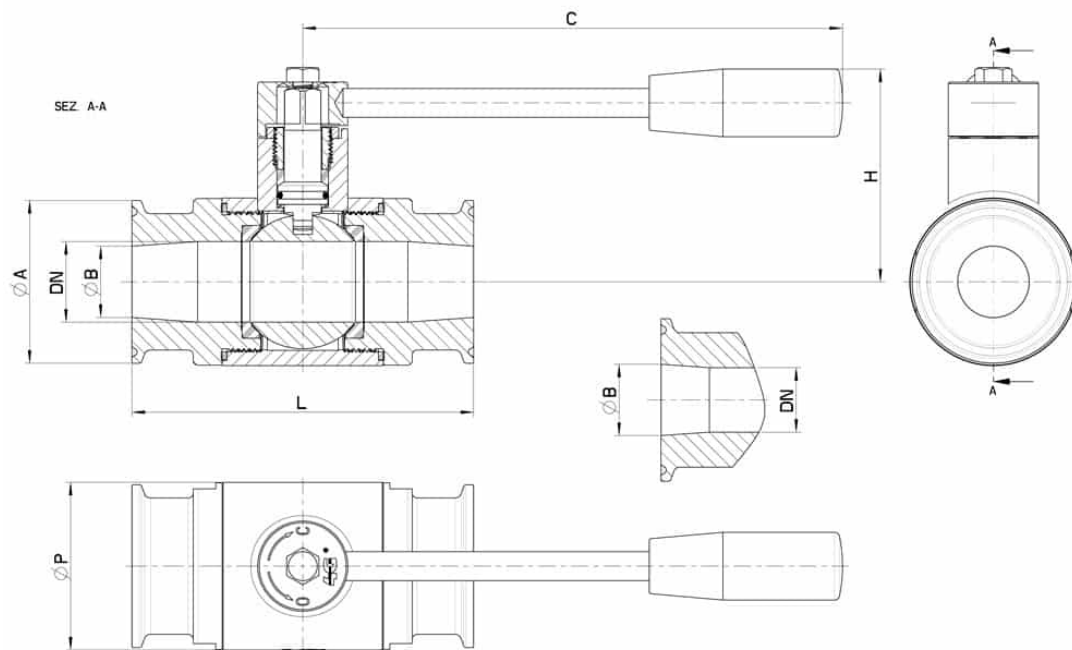
• Seals made of:

PTFE with glass -20°C+170°C

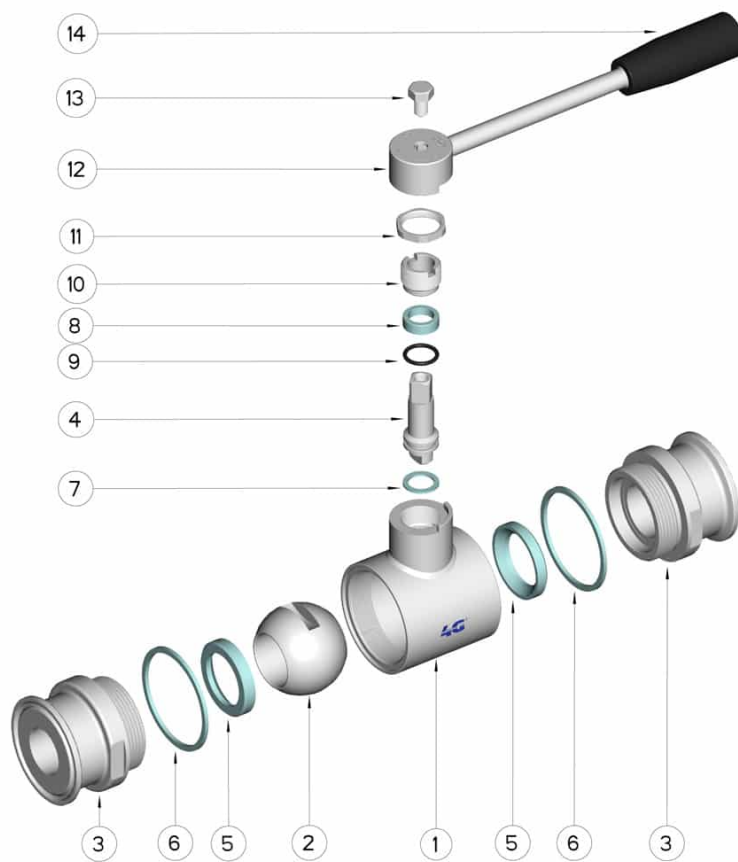
PTFE with carbographite -20°C+180°C

PTFE with inox -20°C+200°C

UHMW High-molecular weight polyethylene -20°C+80°C



CLAMP REIHNE A DN	L	Ø A	Ø B	C	H	ØP	PN	Kg	CODE AISI 316L
10	88	34	10	110	50	30	100	0,43	100130 61410
15	92	34	16	110	55	35	100	0,52	100130 61910
20	102	34	20	110	60	42	100	0,93	100130 62010
25	106	50,5	26	160	65	52	64	1,35	100130 62810
32	112	50,5	32	160	70	60	64	1,42	100130 63010
40	126	50,5	38	190	80	73	64	2,43	100130 63510
50	136	64	50	190	90	88	40	3,51	100130 64010
65	154	91	66	220	110	113	40	5,80	100130 64610
80	184	106	81	285	130	135	40	9,00	100130 64910
100	190	119	100	310	150	167	25	13,60	100130 65610



Position	Denomination	PEZZI	MATERIAL
1	Body	1	AISI (304L) 316L
2	Ball	1	AISI (304L) 316L
3	Sleeves	2	AISI (304L) 316L
4	Stem	1	AISI (304L) 316L
5	Ball Seals	2	PTFE Vergine Modificato
6	Sleeve Seals	2	PTFE
7	Stem Seal	1	PTFE
8	Stem Seal	1	PTFE
9	Stem or-Seal	1	FKM
10	Register ring	1	AISI 304L (303)
11	Locknut	1	AISI 304L
12	Lever	1	AISI 304L
13	SCREW	1	AISI 304L
14	Handle	1	DUROPLAST (PF)

