

## 100130 FOR BS PIPE



TWO-way ball valve

Drive: Inox lever

Connection: **CLAMP normative DIN 32676 TAB.4 REIHE C**  
**For TUBE according to normative BS/OD (ASTM A270)**

Flow: Full and reduced

Material: Aisi 304L (1.4307) – Aisi 316L (1.4404)

Measure: from 1/2" to 4"

Seals: Modified Virgin P.T.F.E.

Operating temperature: -20°C+170°C

Outer finish: Polished

On request:

Antistatic device ATEX:

II 2G Ex h IIC T4 Gb

II 2D Ex h IIIC T135°C Db

M.O.C.A. CE 1935/2004

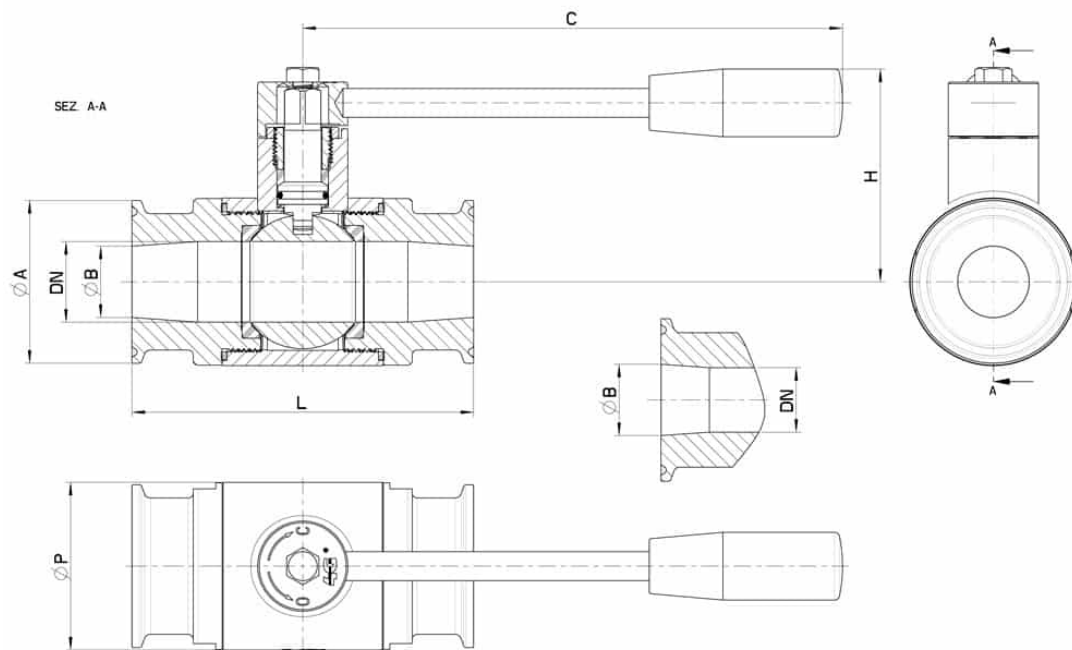
• Seals made of:

PTFE with glass -20°C+170°C

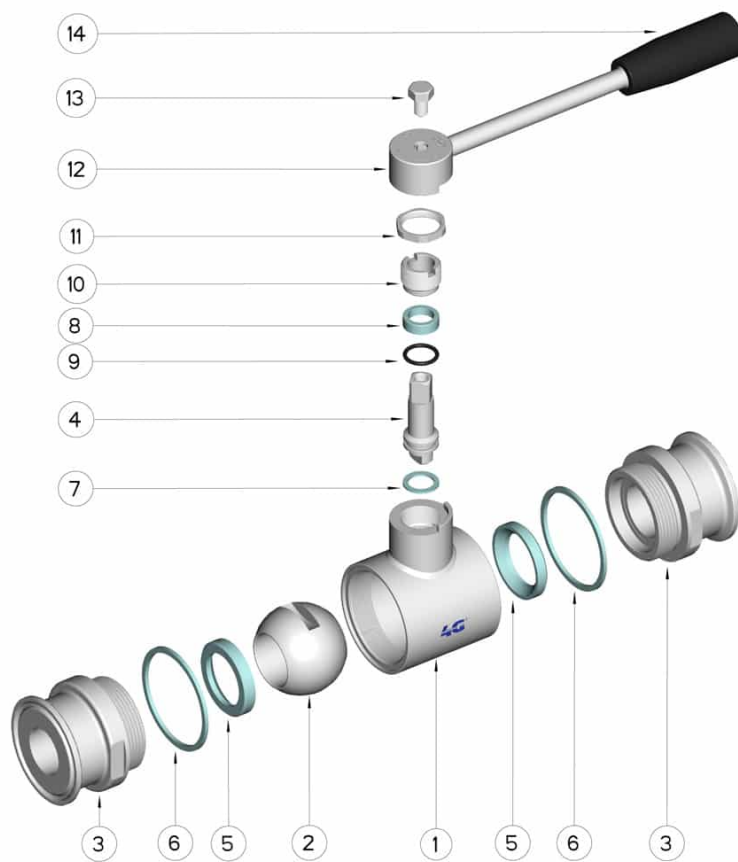
PTFE with carbographite -20°C+180°C

PTFE with inox -20°C+200°C

UHMW High-molecular weight polyethylene -20°C+80°C



CLAMP	DN	L	Ø A	Ø B	C	H	ØP	PN	Kg	COD. AISI 304L	COD. AISI 316L
1/2"	10	88	25	9,4	110	50	30	100	0,43	-	100130 61210
3/4"	15	92	25	15,75	110	55	35	100	0,52	-	100130 61810
1"	20	102	50,5	22,1	110	58	42	100	0,93	-	100130 62410
1"	25	106	50,5	22,1	160	65	52	64	1,35	-	100130 62610
1"1/2	32	112	50,5	34,8	160	74	60	64	1,42	-	100130 63210
1"1/2	40	126	50,5	34,8	190	92	73	64	2,43	-	100130 63410
2"	50	136	64	47,5	190	110	88	40	3,51	-	100130 63810
2"1/2	65	154	77,5	60,2	220	115	113	40	5,80	-	100130 64410
3"	80	184	91	72,9	285	130	135	40	9,00	100130 44810	100130 64810
4"	100	190	119	97,38	310	150	167	25	13,60	100130 45410	100130 65410



Position	Denomination	PEZZI	MATERIAL
1	Body	1	AISI (304L) 316L
2	Ball	1	AISI (304L) 316L
3	Sleeves	2	AISI (304L) 316L
4	Stem	1	AISI (304L) 316L
5	Ball Seals	2	PTFE Vergine Modificato
6	Sleeve Seals	2	PTFE
7	Stem Seal	1	PTFE
8	Stem Seal	1	PTFE
9	Stem or-Seal	1	FKM
10	Register ring	1	AISI 304L (303)
11	Locknut	1	AISI 304L
12	Lever	1	AISI 304L
13	SCREW	1	AISI 304L
14	Handle	1	DUROPLAST (PF)

