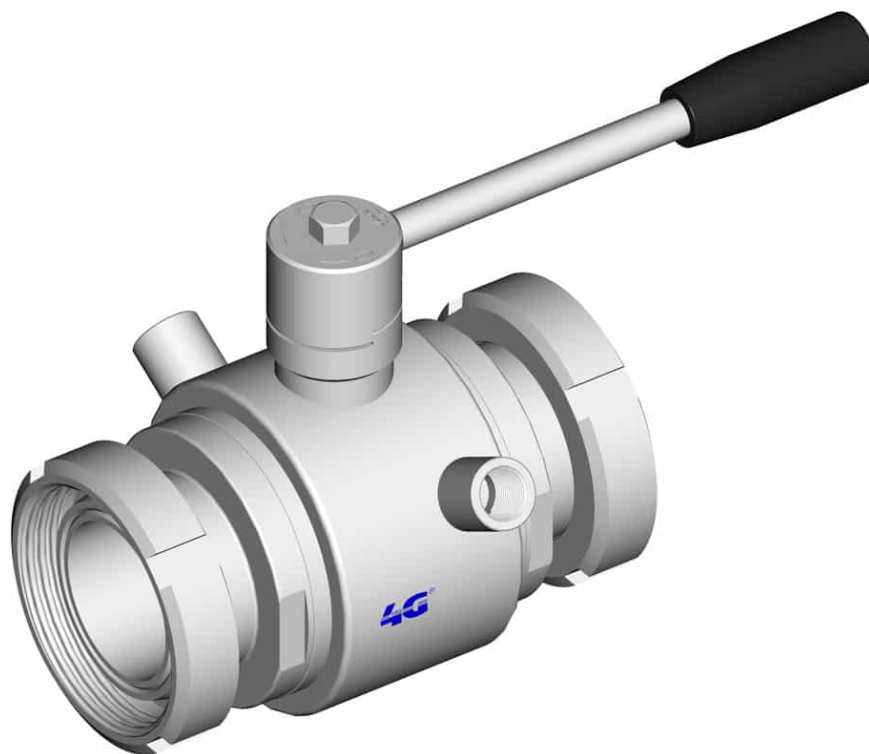


100127C STANDARD SEALS - M/M DIN 11851 - HEATING JACKET



TWO-way ball valve with HEATING JACKET

Drive: Inox lever

Connection: DIN 11851 male/male

Flow: Full

Material: Aisi 304L (1.4307) - Aisi 316L (1.4404)

Measure: from DN25 to DN 100

Seals: Modified Virgin P.T.F.E.

Operating temperature: -20°C+170°C

Outer finish: Polished

On request:

Antistatic device ATEX:

II 2G Ex h IIC T4 Gb

II 2D Ex h IIIC T135°C Db

M.O.C.A. CE 1935/2004

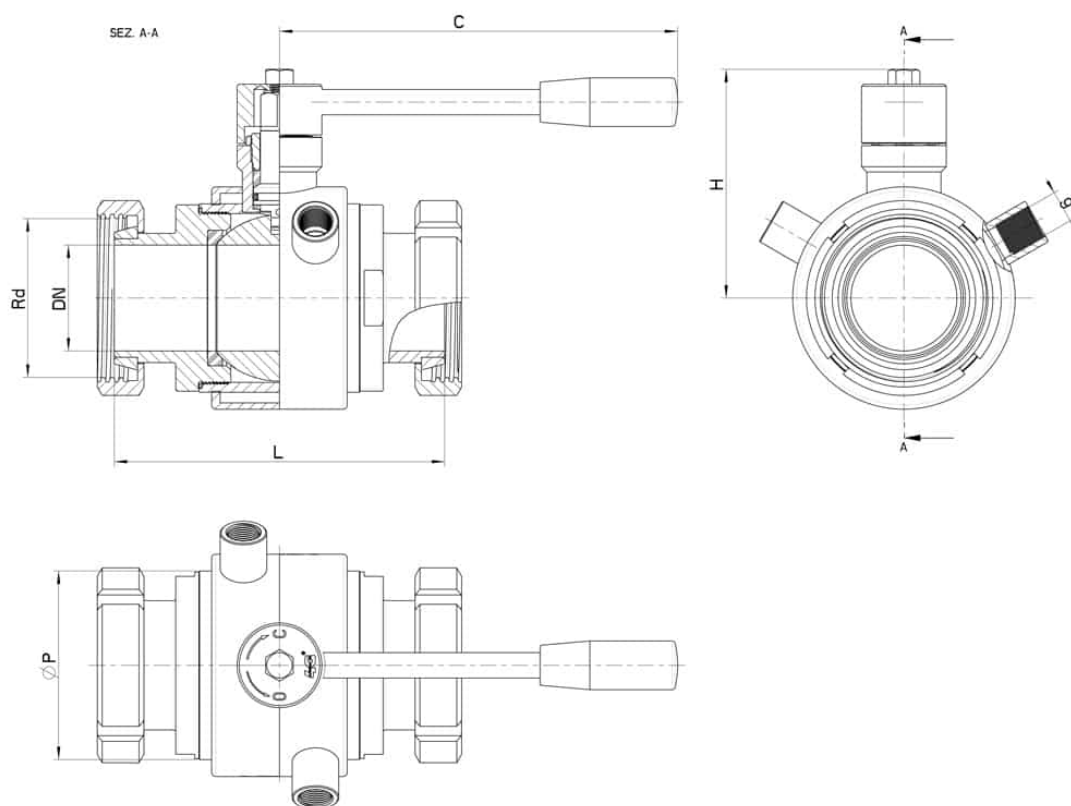
• Seals made of:

PTFE with glass -20°C+170°C

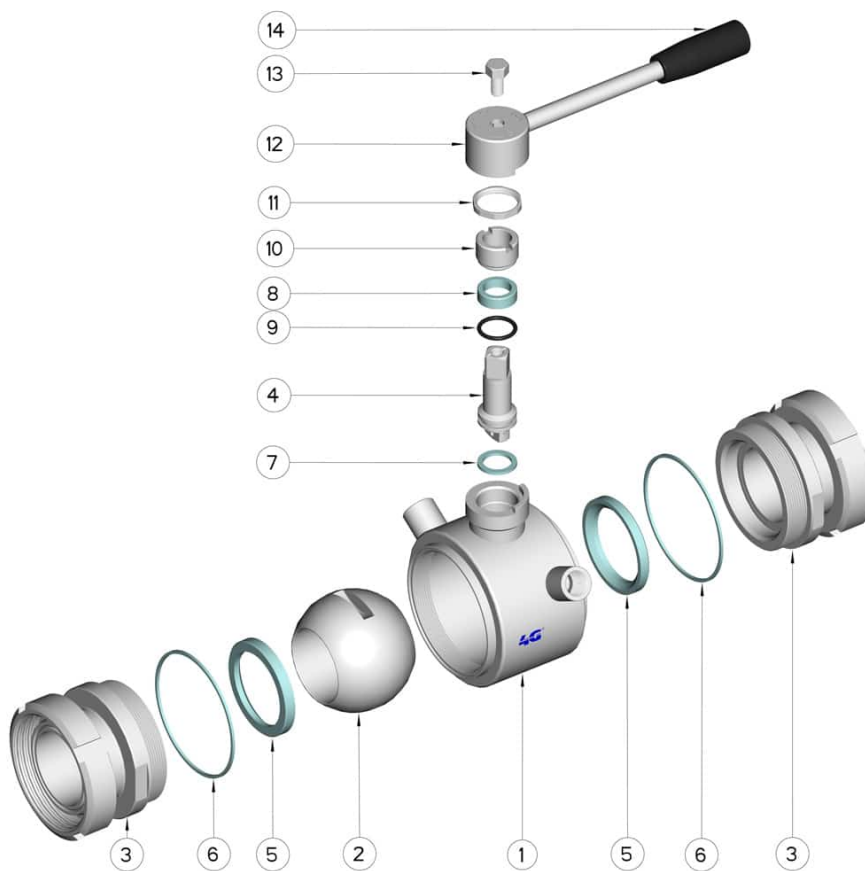
PTFE with carbographite -20°C+180°C

PTFE with inox -20°C+200°C

UHMW High-molecular weight polyethylene -20°C+80°C



DN	Rd	L	C	H	Ø P	g	PN	Kg	CODE AISI 304L	CODE AISI 316L
25	52 x 1/6"	124	160	65	52	1/4"	64	1,55	-	100127C62610
32	58 x 1/6"	130	160	70	60	1/4"	64	2,02	-	100127C63010
40	65 x 1/6"	144	190	80	73	3/8"	64	3,04	-	100127C63410
50	78 x 1/6"	156	190	90	88	3/8"	40	4,54	-	100127C63810
65	95 x 1/6"	172	220	110	113	1/2"	40	7,66	-	100127C64410
80	110 x 1/4"	194	285	130	135	1/2"	40	10,8	100127C44810	100127C64810
100	130 x 1/4"	206	310	150	167	1/2"	25	17,26	100127C45410	100127C65410



Position	Denomination	PEZZI	MATERIAL
1	Body	1	AISI (304L) 316L
2	Ball	1	AISI (304L) 316L
3	Sleeves	2	AISI (304L) 316L
4	Stem	1	AISI (304L) 316L
5	Ball Seals	2	PTFE Vergine Modificato
6	Sleeve Seals	2	PTFE
7	Stem Seal	1	PTFE
8	Stem Seal	1	PTFE
9	Stem or-Seal	1	FKM
10	Register ring	1	AISI 304L (303)
11	Locknut	1	AISI 304L
12	Lever	1	AISI 304L
13	SCREW	1	AISI 304L
14	Handle	1	DUROPLAST (PF)

