

## 100126 STANDARD SEALS - F/M DIN 11851



TWO-way ball valve

Drive: Inox lever

Connection: DIN 11851 female/male

Flow: Full

Material: Aisi 304L (1.4307) - Aisi 316L (1.4404)

Measure: from DN10 to DN100

Seals: Modified Virgin P.T.F.E.

Operating temperature: -20°C+170°C

Outer finish: Polished

On request:

Antistatic device ATEX:

II 2G Ex h IIC T4 Gb

II 2D Ex h IIIC T135°C Db

M.O.C.A. CE 1935/2004

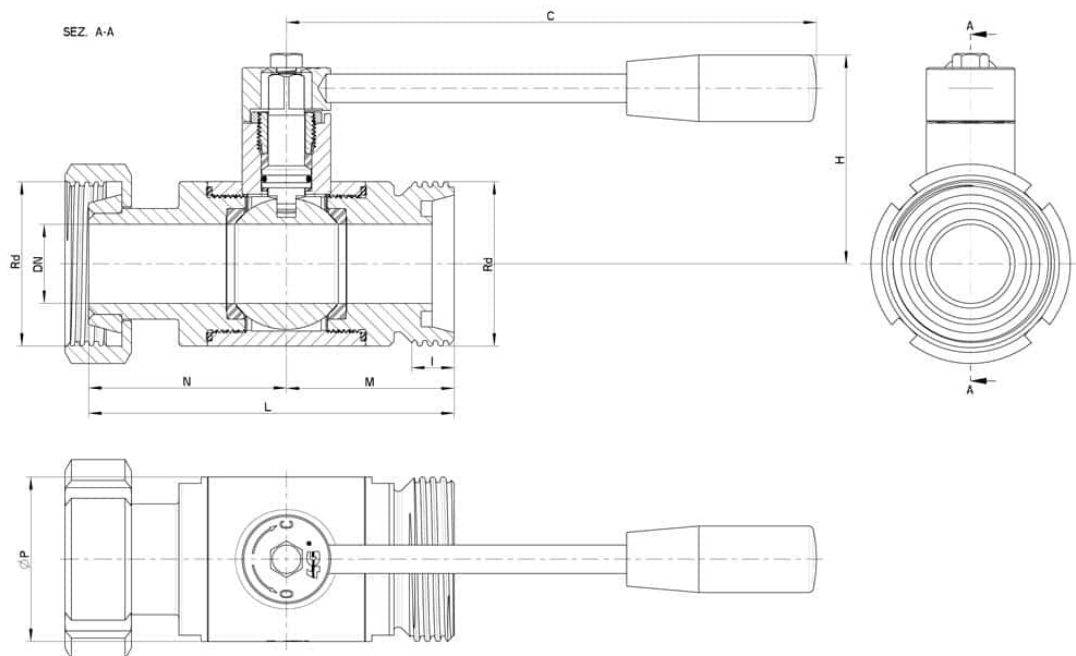
• Seals made of:

PTFE with glass -20°C+170°C

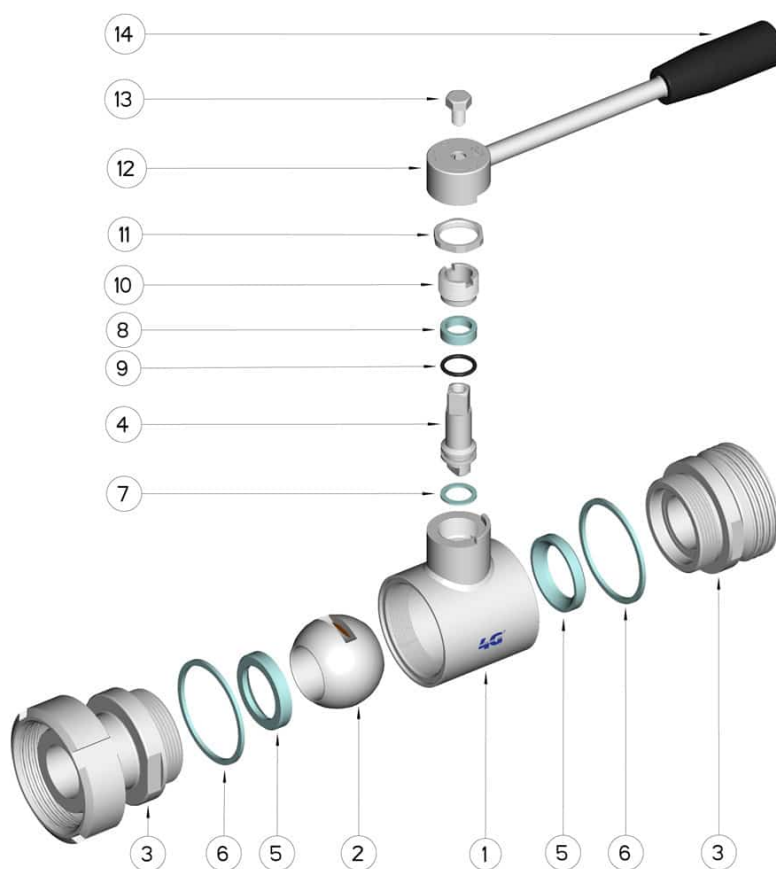
PTFE with carbographite -20°C+180°C

PTFE with inox -20°C+200°C

UHMW High-molecular weight polyethylene -20°C+80°C



DN	Rd	L	M	N	I	C	H	Ø P	PN	Kg	CODE AISI 304L	CODE AISI 316L
10	28 x 1/8"	94	44	50	12	110	50	30	100	0,50	-	100126 60810
15	34 x 1/8"	98	46	52	12	110	55	35	100	0,65	-	100126 61410
20	44 x 1/6"	110	51	59	14	110	60	42	100	0,91	-	100126 62010
25	52 x 1/6"	115	53	62	14	160	65	52	64	1,41	-	100126 62610
32	58 x 1/6"	121	56	65	14	160	70	60	64	1,75	-	100126 63010
40	65 x 1/6"	135	63	72	14	190	80	73	64	2,78	-	100126 63410
50	78 x 1/6"	146	68	78	14	190	90	88	40	4,03	-	100126 63810
65	95 x 1/6"	163	77	86	16	220	110	113	40	6,80	-	100126 64410
80	110 x 1/4"	189	92	97	20	285	130	135	40	10,00	100126 44810	100126 64810
100	130 x 1/4"	198	95	103	20	310	150	167	25	14,17	100126 45410	100126 65410



Position	Denomination	PEZZI	MATERIAL
1	Body	1	AISI (304L) 316L
2	Ball	1	AISI (304L) 316L
3	Sleeves	2	AISI (304L) 316L
4	Stem	1	AISI (304L) 316L
5	Ball Seals	2	PTFE
6	Sleeve Seals	2	PTFE
7	Stem Seal	1	PTFE
8	Stem Seal	1	PTFE
9	Stem or-Seal	1	FKM
10	Register ring	1	AISI 304L (303)
11	Locknut	1	AISI 304L
12	Lever	1	AISI 304L
13	SCREW	1	AISI 304L
14	Handle	1	DUROPLAST (PF)

