

100125 STANDARD SEALS - F/F DIN 11851



TWO-way ball valve

Drive: Inox lever

Connection: DIN 11851 female/female

Flow: Full

Material: Aisi 304L (1.4307) - Aisi 316L (1.4404)

Measure: from DN10 to DN100

Seals: Modified Virgin P.T.F.E.

Operating temperature: -20°C+170°C

Outer finish: Polished

On request:

Antistatic device ATEX:

II 2G Ex h IIC T4 Gb

II 2D Ex h IIIC T135°C Db

M.O.C.A. CE 1935/2004

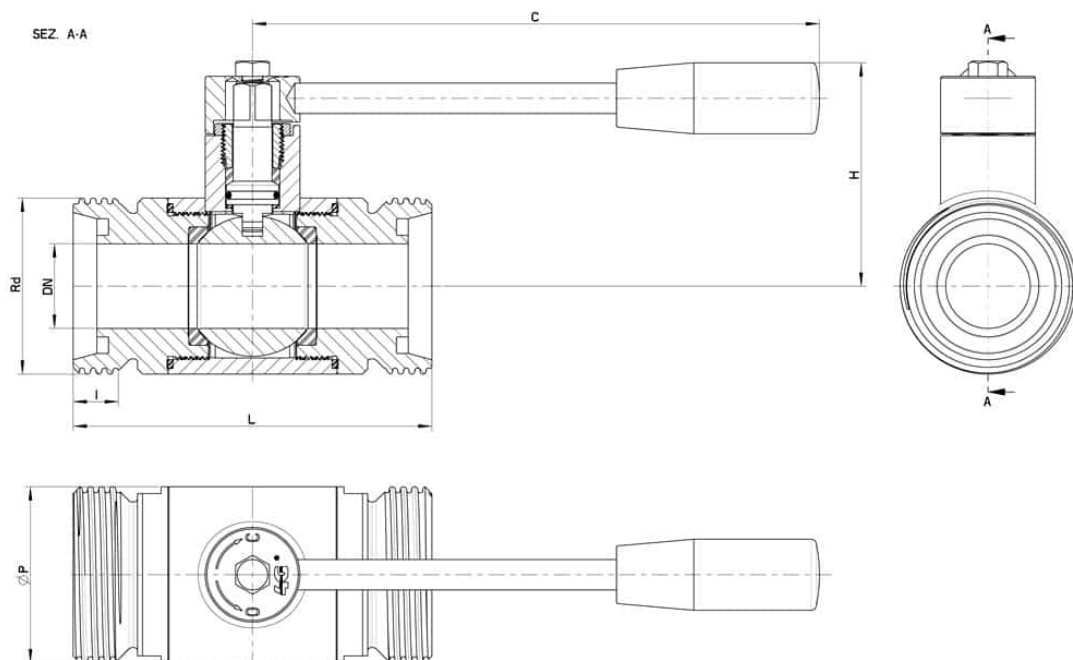
• Seals made of:

PTFE with glass -20°C+170°C

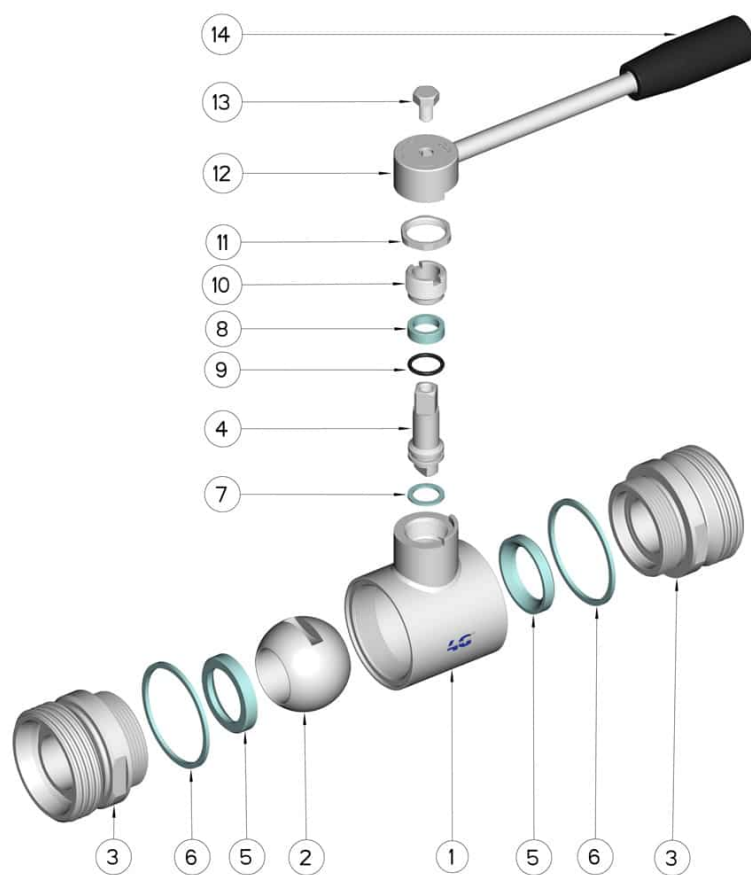
PTFE with carbographite -20°C+180°C

PTFE with inox -20°C+200°C

UHMW High-molecular weight polyethylene -20°C+80°C



DIN	DN	Rd	L	I	C	H	Ø P	PN	Kg	CODE AISI 304L	CODE AISI 316L
10	10	28 x 1/8"	88	12	110	50	30	100	0,44	-	100125 60810
15	15	34 x 1/8"	92	12	110	55	35	100	0.57	-	100125 61410
20	20	44 x 1/6"	102	14	110	60	42	100	0.80	-	100125 62010
25	25	52 x 1/6"	106	14	160	65	52	64	1.30	-	100125 62610
32	32	58 x 1/6"	112	14	160	70	60	64	1.55	-	100125 63010
40	40	65 x 1/6"	126	14	190	80	73	64	2.56	-	100125 63410
50	50	78 x 1/6"	136	14	190	90	88	40	3.78	-	100125 63810
65	65	95 x 1/6"	154	16	220	110	113	40	6.17	-	100125 64410
80	80	110 x 1/4"	184	20	285	130	135	40	9.28	100125 44810	100125 64810
100	100	130 x 1/4"	190	20	310	150	167	25	14.00	100125 45410	100125 65410
125	(Reduced) 100	160 x 1/4"	190	25	310	150	167	25	16.00	100125 45510	100125 65510



Position	Denomination	PEZZI	MATERIAL
1	Body	1	AISI (304L) 316L
2	Ball	1	AISI (304L) 316L
3	Sleeves	2	AISI (304L) 316L
4	Stem	1	AISI (304L) 316L
5	Ball Seals	2	PTFE Vergine Modificato
6	Sleeve Seals	2	PTFE
7	Stem Seal	1	PTFE
8	Stem Seal	1	PTFE
9	Stem or-Seal	1	FKM
10	Register ring	1	AISI 304L (303)
11	Locknut	1	AISI 304L
12	Lever	1	AISI 304L
13	SCREW	1	AISI 304L
14	Handle	1	DUROPLAST (PF)

