

## 100117 STANDARD SEALS - ISO 228 M



TWO-way ball valve

Drive: Inox lever

Connection: ISO 228 male/male thread

Flow: Full

Material: Aisi 316L (1.4404)

Measure: from 1/4" to 4"

Seals: Modified Virgin P.T.F.E.

Operating temperature: -20°C+170°C

Outer finish: Polished

On request:

Antistatic device ATEX:

II 2G Ex h IIC T4 Gb

II 2D Ex h IIIC T135°C Db

M.O.C.A. CE 1935/2004

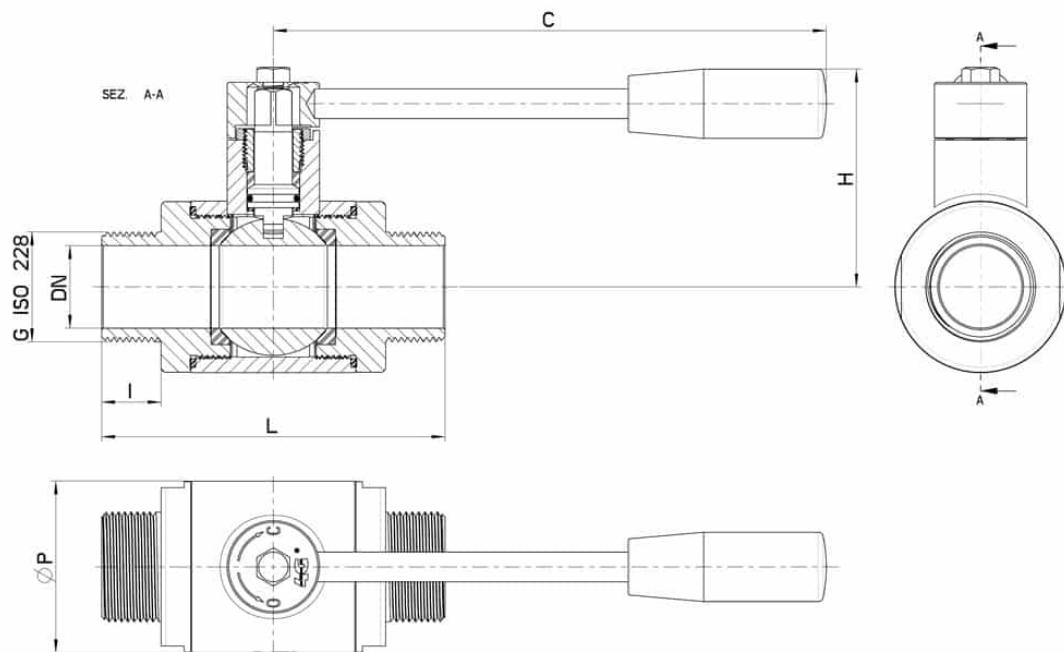
• Seals made of:

PTFE with glass -20°C+170°C

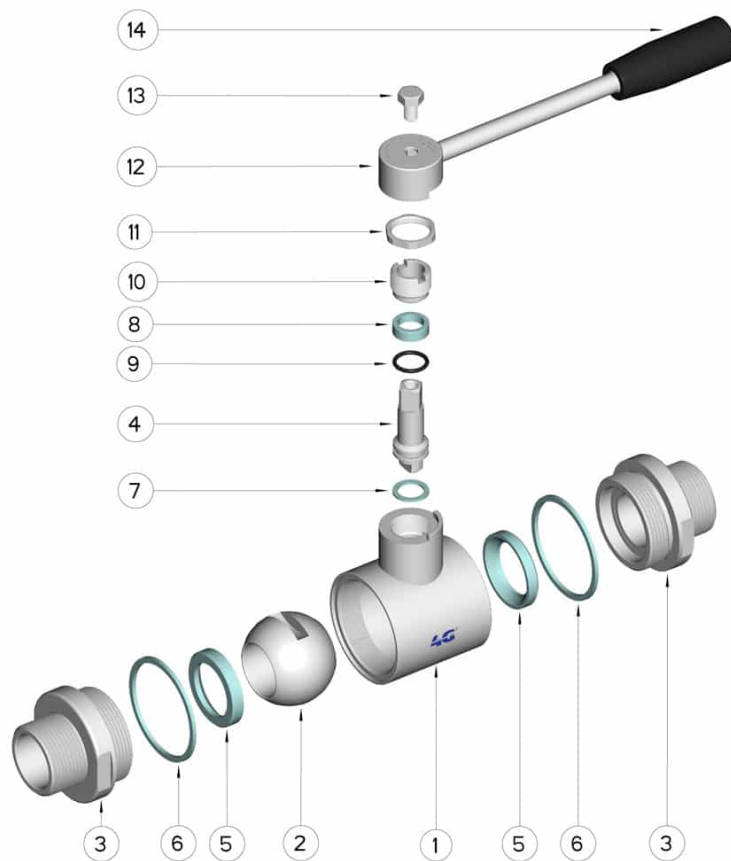
PTFE with carbographite -20°C+180°C

PTFE with inox -20°C+200°C

UHMW High-molecular weight polyethylene -20°C+80°C



G	DN	L	I	C	H	Ø P	PN	Kg	CODICE AISI 304	CODICE AISI 316
1/4"	9	76	13	110	50	30	64	-	100117 40410	100117 60410
3/8"	10	80	13	110	50	30	64	-	100117 40810	100117 60810
1/2"	15	90	15	110	55	35	64	-	100117 41410	100117 61410
3/4"	20	98	17	110	60	42	64	-	100117 42010	100117 62010
1"	25	104	19	160	65	52	40	-	100117 42610	100117 62610
1"1/4	32	114	19	160	70	60	40	-	100117 43010	100117 63010
1"1/2	40	128	20	190	80	73	40	-	100117 43410	100117 63410
2"	50	146	20	190	90	88	25	-	100117 43810	100117 63810
2"1/2	65	162	25	220	110	113	25	-	100117 44410	100117 64410
3"	80	190	24	285	130	135	25	-	100117 44810	10011764810
4"	100	208	26	310	150	167	25	-	100117 45410	100117 65410



POS.	Denomination	PCS	MAT.
1	Body	1	AISI (304L) 316L
2	Ball	1	AISI (304L) 316L
3	Sleeves	2	AISI (304L) 316L
4	Stem	1	AISI (304L) 316L
5	Ball Seals	2	PTFE Vergine Modificato
6	Sleeve Seals	2	PTFE
7	Stem Seal	1	PTFE
8	Stem Seal	1	PTFE
9	Stem or-Seal	1	FKM
10	Register ring	1	AISI 304L (303)
11	Locknut	1	AISI 304L
12	Lever	1	AISI 304L
13	SCREW	1	AISI 304L
14	Handle	1	DUROPLAST (PF)

