

## 100109 STANDARD SEALS – ISO 228 F/M



TWO-way ball valve

Drive: Inox lever

Connection: ISO 228 female/male thread

Flow: Full

Material: Aisi 304L (1.4307) – Aisi 316L (1.4404)

Measure: from 1/4" to 4"

Seals: Modified Virgin P.T.F.E.

Operating temperature: -20°C+170°C

Outer finish: Polished

On request:

Antistatic device ATEX:

II 2G Ex h IIC T4 Gb

II 2D Ex h IIIC T135°C Db

M.O.C.A. CE 1935/2004

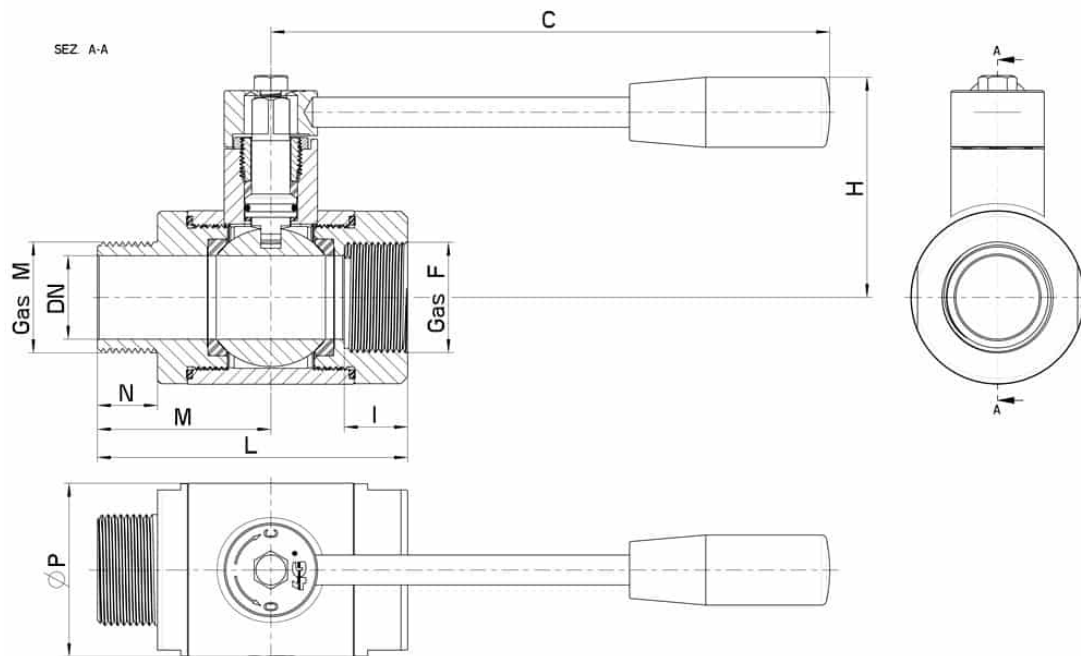
• Seals made of:

PTFE with glass -20°C+170°C

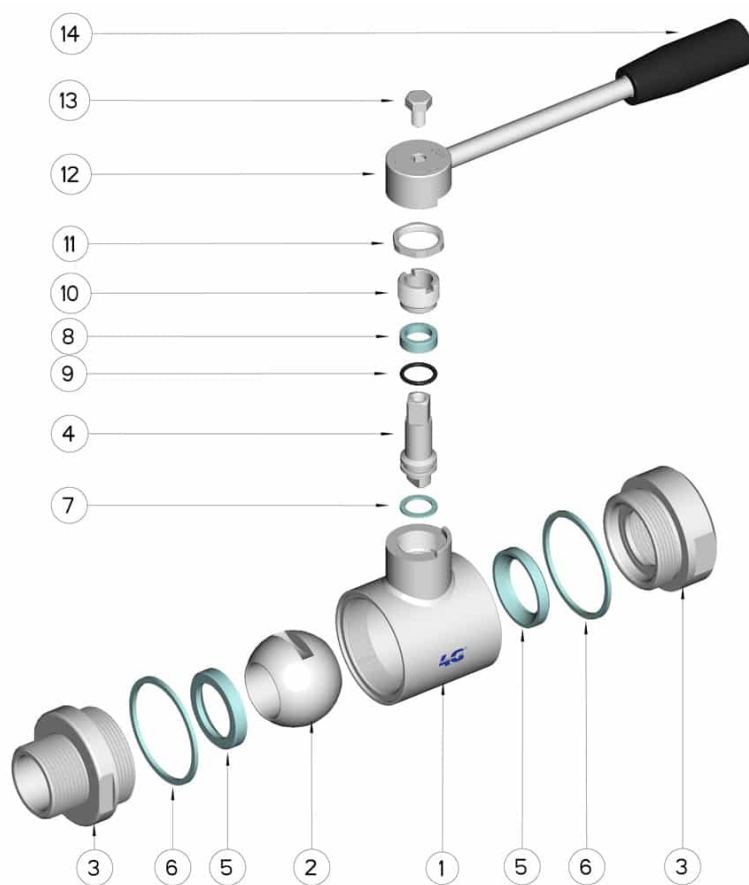
PTFE with carbographite -20°C+180°C

PTFE with inox -20°C+200°C

UHMW High-molecular weight polyethylene -20°C+80°C



G	DN	L	I	N	M	C	H	Ø P	PN	Kg	CODE AISI 304L	CODE AISI 316L
1/4"	9	64	13	11	38	110	50	30	100	0,36	-	100109 60410
3/8"	10	66	13	13	40	110	50	30	100	0,35	-	100109 60810
1/2"	15	76	15	15	45	110	55	35	100	0,45	-	100109 61410
3/4"	20	85	17	16	49	110	60	42	100	0,66	-	100109 62010
1"	25	93	19	18	52	160	65	52	64	1,13	-	100109 62610
1"1/4	32	103	19	18	57	160	70	60	64	1,38	-	100109 63010
1"1/2	40	116	20	20	64	190	80	73	64	2,38	-	100109 63410
2"	50	131	20	24	73	190	90	88	40	3,47	-	100109 63810
2"1/2	65	145	20	25	81	220	110	113	40	5,85	-	100109 64410
3"	80	170	24	30	95	285	130	135	40	8,92	100109 44810	100109 64810
4"	100	192	26	36	104	310	150	167	25	14,80	100109 45410	100109 65410



Position	Denomination	PEZZI	MATERIAL
1	Body	1	AISI (304L) 316L
2	Ball	1	AISI (304L) 316L
3	Sleeves	2	AISI (304L) 316L
4	Stem	1	AISI (304L) 316L
5	Ball Seals	2	PTFE Vergine Modificato
6	Sleeve Seals	2	PTFE
7	Stem Seal	1	PTFE
8	Stem Seal	1	PTFE
9	Stem or-Seal	1	FKM
10	Register ring	1	AISI 304L (303)
11	Locknut	1	AISI 304L
12	Lever	1	AISI 304L
13	SCREW	1	AISI 304L
14	Handle	1	DUROPLAST (PF)

You can't use multiple times the same shortcode.





