

100104 STANDARD SEALS - F NPT



TWP-way ball valve

Drive: Inox lever

Connection: NPT female/female thread

Flow: Full

Material: Aisi 316L (1.4404)

Measure: from 1/4" to 4"

Seals: Modified Virgin P.T.F.E.

Operating temperature: -20°C +170°C

Outer finish: Polished

On request:

Antistatic device ATEX:

II 2G Ex h IIC T4 Gb

II 2D Ex h IIIC T135°C Db

M.O.C.A. CE 1935/2004

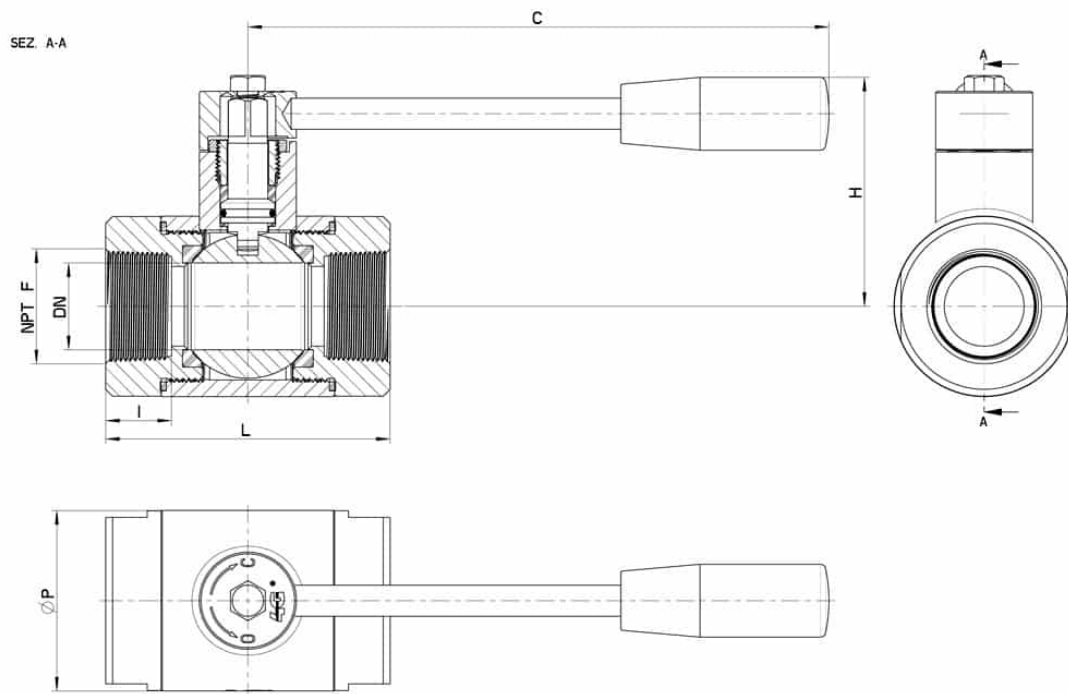
• Seals made of:

PTFE with glass -20°C+170°C

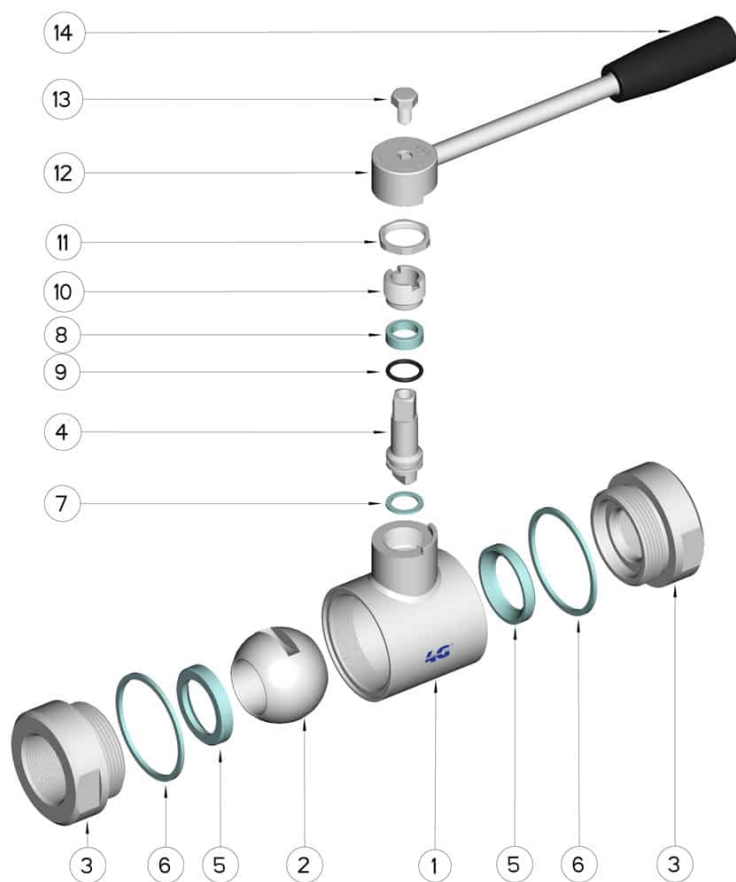
PTFE with carbographite -20°C+180°C

PTFE with inox -20°C+200°C

UHMW High-molecular weight polyethylene -20°C+80°C



NPT F	DN	L	I	C	H	Ø P	PN	Kg	CODE AISI 316L
1/4"	9	52	13	110	50	30	100	0,34	100104 60410
3/8"	10	52	13	110	50	30	100	0,32	100104 60810
1/2"	15	62	16	110	55	35	100	0,44	100104 61410
3/4"	20	72	18	110	60	42	100	0,62	100104 62010
1"	25	82	19	160	65	52	64	1,10	100104 62610
1"1/4	32	92	20	160	70	60	64	1,35	100104 63010
1"1/2	40	104	20	190	80	73	64	2,33	100104 63410
2"	50	116	20	190	90	88	40	3,42	100104 63810
2"1/2	65	136	26	220	110	113	40	-	100104 64410
3"	80	160	28	285	130	135	40	-	100104 64810
4"	100	192	30	310	150	167	25	-	100104 65410



Position	Denomination	PEZZI	MATERIAL
1	Body	1	AISI 316L
2	Ball	1	AISI 316L
3	Sleeves	2	AISI 316L
4	Stem	1	AISI 316L
5	Ball Seals	2	PTFE Vergine Modificato
6	Sleeve Seals	2	PTFE
7	Stem Seal	1	PTFE
8	Stem Seal	1	PTFE
9	Stem or-Seal	1	FKM
10	Register ring	1	AISI 304L (303)
11	Locknut	1	AISI 304L
12	Lever	1	AISI 304L
13	SCREW	1	AISI 304L
14	Handle	1	DUROPLAST (PF)

You can't use multiple times the same shortcode.

