

100101C STANDARD SEALS - ISO 228 F - HEATING JACKET



TWO-way ball valve with HEATING JACKET

Drive: Inox lever

Connection: ISO 228 female/female thread

Flow: Full

Material: Aisi 304L (1.4307) - Aisi 316L (1.4404)

Measure: from 1" to 4"

Seals: Modified Virgin P.T.F.E.

Operating temperature: -20°C+170°C

Outer finish: Polished

On request:

Antistatic device ATEX:

II 2G Ex h IIC T4 Gb

II 2D Ex h IIIC T135°C Db

M.O.C.A. CE 1935/2004

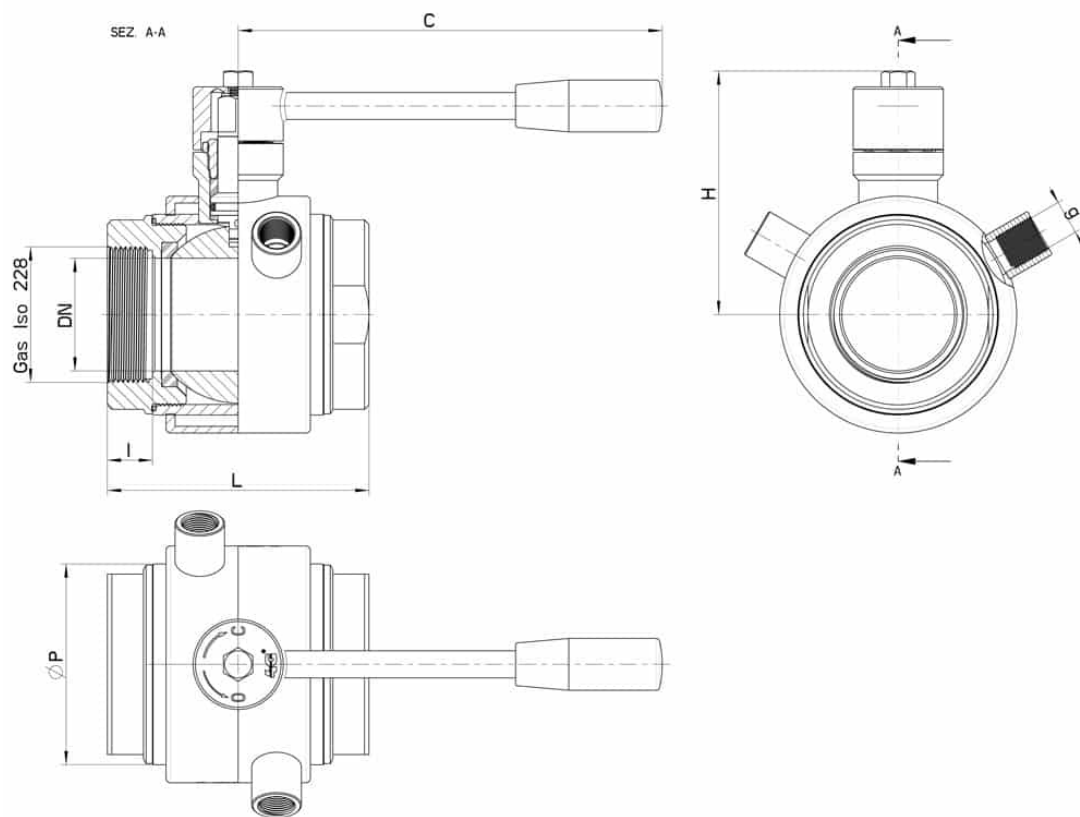
• Seals made of:

PTFE with glass -20°C+170°C

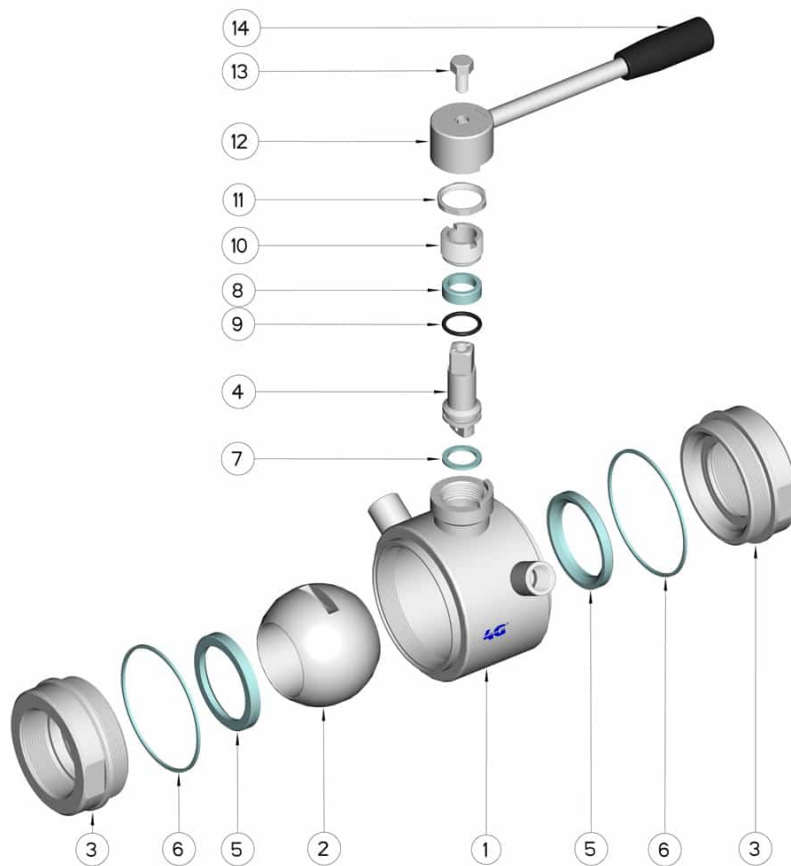
PTFE with carbographite -20°C+180°C

PTFE with inox -20°C+200°C

UHMW High-molecular weight polyethylene -20°C+80°C



Gas Iso 228	DN	L	I	C	H	ØP	g	PN	Kg	CODE AISI 304L	CODE AISI 316L
1"	25	82	19	160	65	52	1/4"	64	-	-	100101C62610
1"1/4	32	92	19	160	70	60	1/4"	64	1,63	-	100101C63010
1"1/2	40	104	20	190	80	73	3/8"	64	2,87	-	100101C63410
2"	50	116	20	190	90	88	3/8"	40	3,80	-	100101C63810
2"1/2	65	128	20	220	110	113	1/2"	40	-	-	100101C64410
3"	80	150	24	285	130	135	1/2"	40	-	100101C44810	100101C64810
4"	100	178	26	310	150	167	1/2"	25	-	100101C45410	100101C65410



Position	Denomination	PEZZI	MATERIAL
1	Body	1	AISI (304L) 316L
2	Ball	1	AISI (304L) 316L
3	Sleeves	2	AISI (304L) 316L
4	Stem	1	AISI (304L) 316L
5	Ball Seals	2	PTFE Vergine Modificato
6	Sleeve Seals	2	PTFE
7	Stem Seal	1	PTFE
8	Stem Seal	1	PTFE
9	Stem or-Seal	1	FKM
10	Register ring	1	AISI 304L (303)
11	Locknut	1	AISI 304L
12	Lever	1	AISI 304L
13	SCREW	1	AISI 304L
14	Handle	1	DUROPLAST (PF)

