

100101 STANDARD SEALS - ISO 228 F



TWO-way ball valve

Drive: Inox lever

Connection: ISO 228 female/female thread

Flow: Full

Material: Aisi 304L (1.4307) - Aisi 316L (1.4404)

Measure: from 1/4" to 4"

Seals: Modified Virgin P.T.F.E.

Operating temperature: -20°C+170°C

Outer finish: Polished

On request:

Antistatic device ATEX:

II 2G Ex h IIC T4 Gb

II 2D Ex h IIIC T135°C Db

M.O.C.A. CE 1935/2004

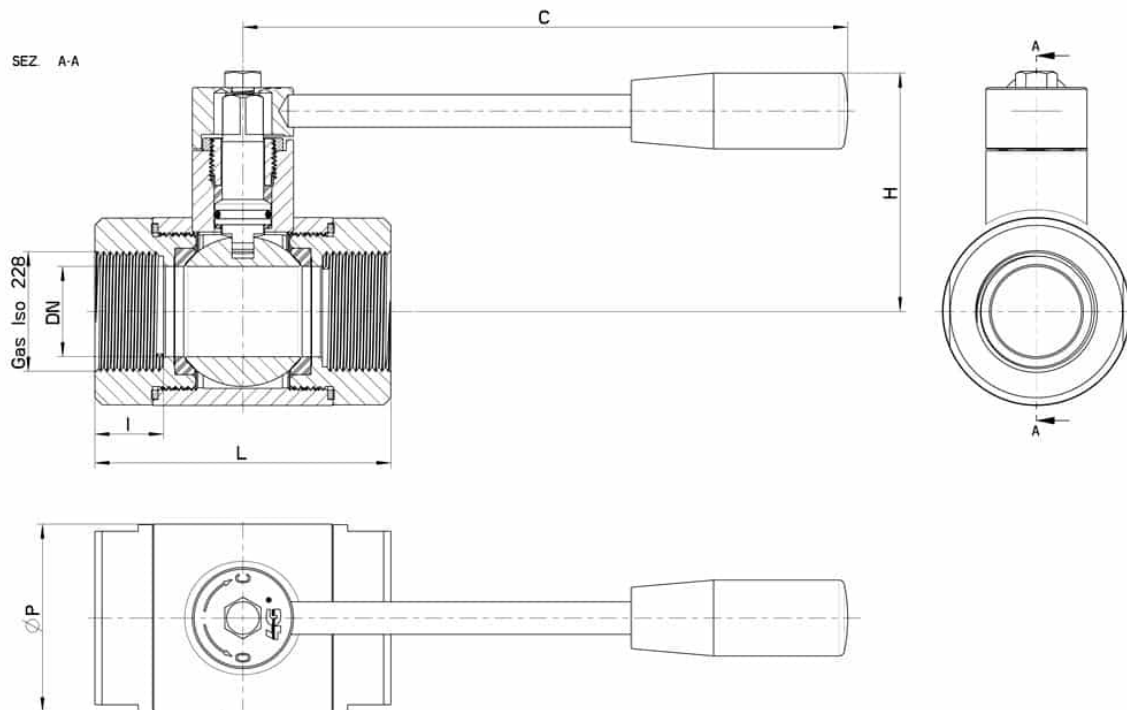
• Seals made of:

PTFE with glass -20°C+170°C

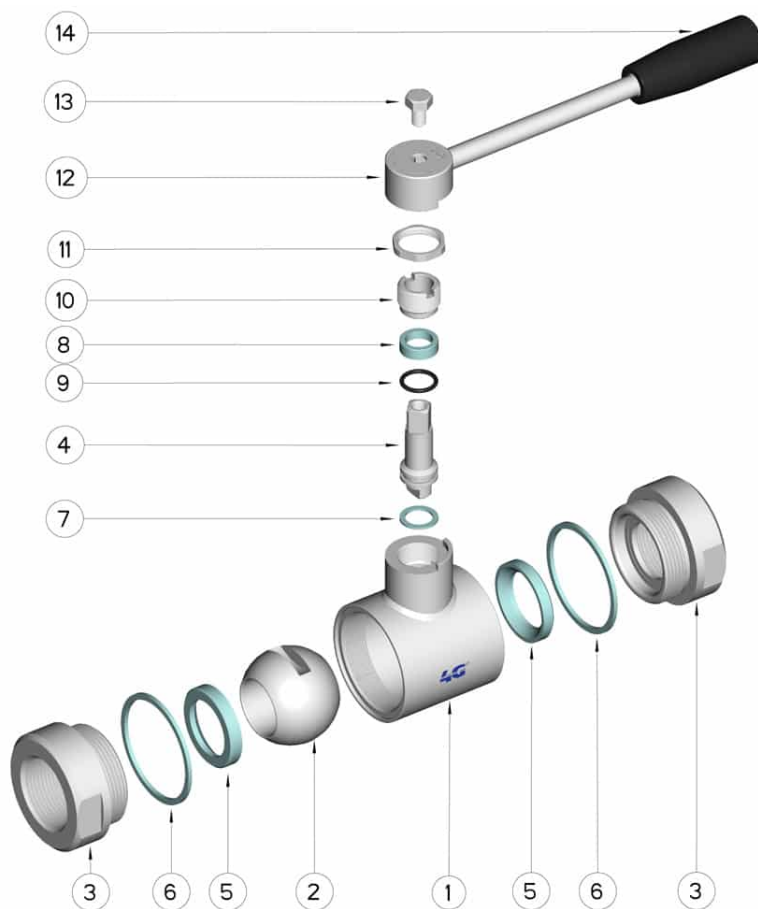
PTFE with carbographite -20°C+180°C

PTFE with inox -20°C+200°C

UHMW High-molecular weight polyethylene -20°C+80°C



Gas Iso 228	DN	L	I	C	H	ØP	PN	Kg	CODE AISI 304L	CODE AISI 316L
1/4"	9	52	13	110	50	30	100	0,34	-	100101 60410
3/8"	10	52	13	110	50	30	100	0,32	-	100101 60810
1/2"	15	62	15	110	55	35	100	0,44	-	100101 61410
3/4"	20	72	17	110	60	42	100	0,62	-	100101 62010
1"	25	82	19	160	65	52	64	1,10	-	100101 62610
1"1/4	32	92	19	160	70	60	64	1,35	-	100101 63010
1"1/2	40	104	20	190	80	73	64	2,33	-	100101 63410
2"	50	116	20	190	90	88	40	3,42	-	100101 63810
2"1/2	65	128	20	220	110	113	40	5,75	-	100101 64410
3"	80	150	24	285	130	135	40	8,98	100101 44810	100101 64810
4"	100	178	26	310	150	167	25	15,50	100101 45410	100101 65410



POSITION	DENOMINATION	PIECES	MATERIAL
1	Body	1	AISI (304L) 316L
2	Ball	1	AISI (304L) 316L
3	Sleeves	2	AISI (304L) 316L
4	Stem	1	AISI (304L) 316L
5	Ball Seals	2	PTFE
6	Sleeve Seals	2	PTFE
7	Stem Seal	1	PTFE
8	Stem Seal	1	PTFE
9	Stem or-Seal	1	FKM
10	Register ring	1	AISI 303
11	Locknut	1	AISI 303
12	Lever	1	AISI 304L
13	SCREW	1	AISI 304L
14	Handle	1	DUROPLASTO (PF)

