

313050_L_STANDARD DICHTUNG_DREHBARE GEWINDEFLANSCH NACH UNI EN1092-1



DREI Wege 4 Dichtungen Kugelhahn mit "L" Bohrung
Bedienelement: Flansch für Antrieb ISO 5211 - DIN 3337
Anschlüsse: Drehbare Gewindeflansche nach UNI EN 1092-1
Durchgang: Voll
Material: Aisi 304L (1.4307) - Aisi 316L (1.4404)
Abmessungen: von DN10 bis DN125
Dichtungen: Rein Modifiziert PTFE
Betriebstemperatur: -20°C+170°C
Oberflächenbehandlung: Poliert

Auf Anfrage:

Antistatische Vorrichtung ATEX:

II 2G Ex h IIC T4 Gb

II 2D Ex h IIIC T135°C Db

M.O.C.A. CE 1935/2004

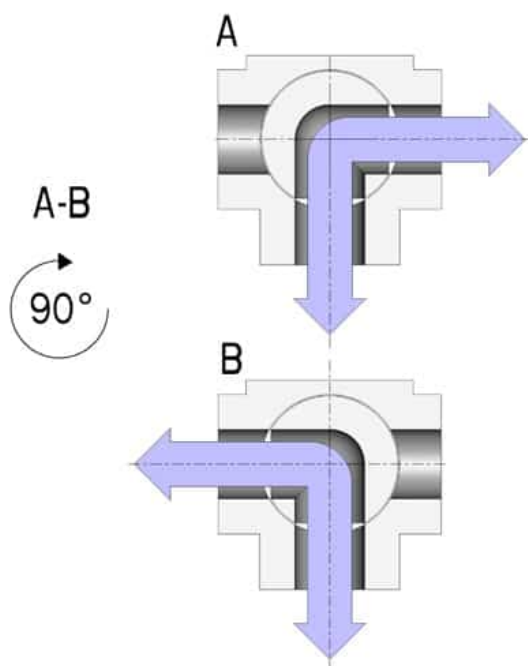
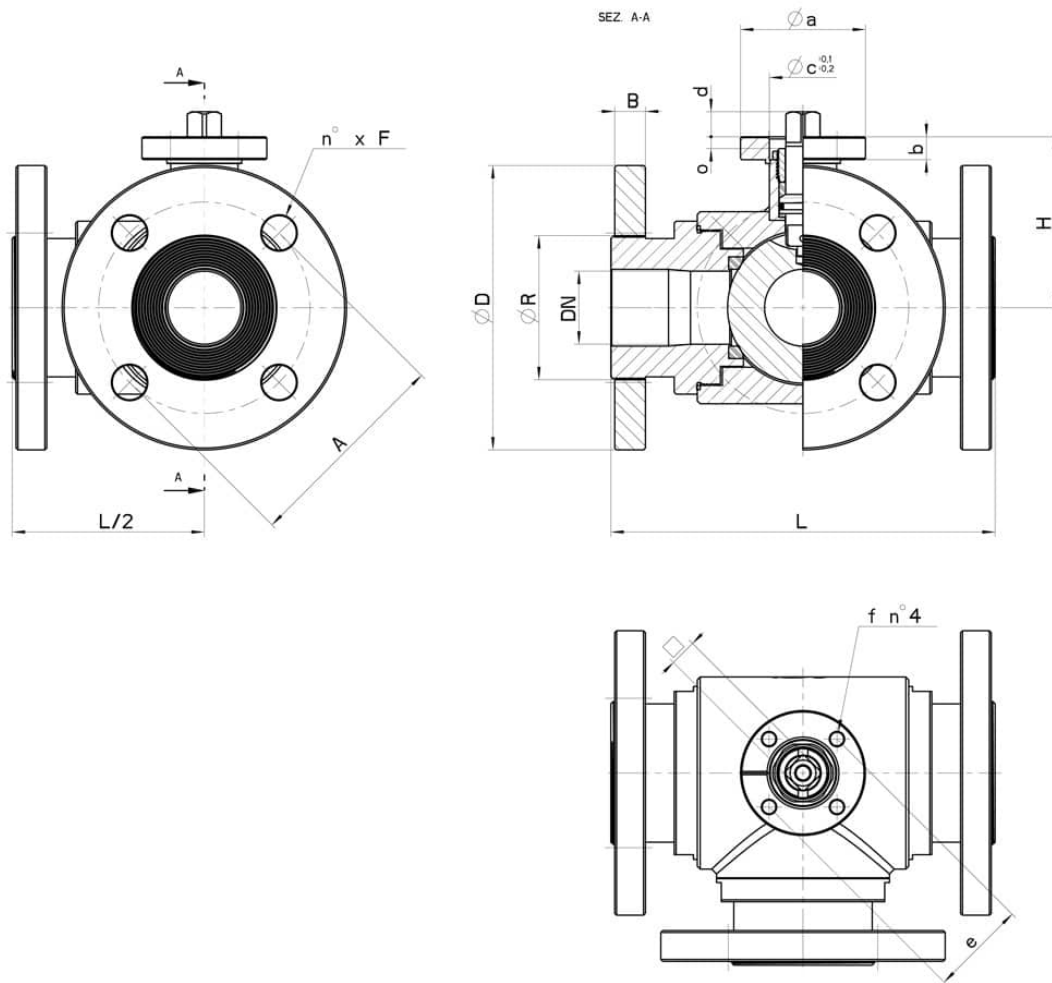
• Dichtungen aus:

PTFE mit Glas -20°C+170°C

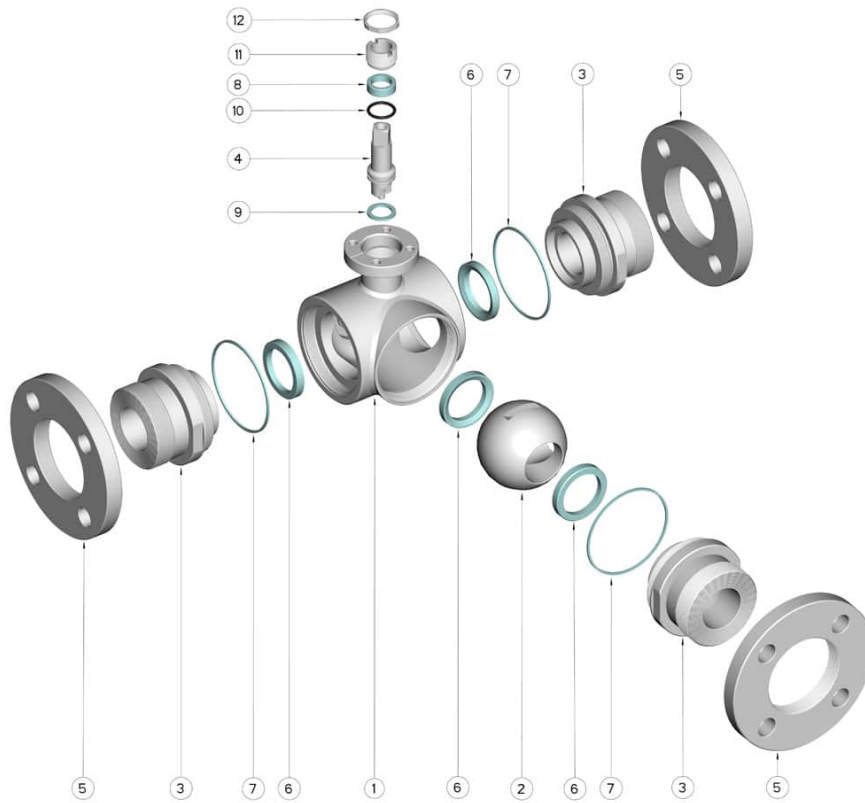
PTFE mit Carbogرافit -20°C+180°C

PTFE mit Inox -20°C+200°C

UHMW Polyethylen mit hoher Dichte -20°C+80°C



| DN | DN | L | H | Ø D | B | Ø R | A | n° x F | PN | Kg | ISO-DIN | Ø a | b | Ø c x o | □ | d | e | f | n° 4 Schrauben | Nm | CODE AISI 304L | CODE AISI 316L |
|--------------------|-----|-----|-------|-----|----|-----|-----|--------------|----|-------|---------|-----|----|---------|----|----|-----|----|-------------------|-----|-------------------|-------------------|
| 10 | 10 | 120 | 46,5 | 90 | 12 | 30 | 60 | 4 x 14 | 40 | 2,67 | F.03 | 46 | 9 | 25x3 | 9 | 8 | 36 | 6 | M5x16 | 10 | - | 313050 60810 |
| 10 | 10 | 120 | 46,5 | 90 | 12 | 30 | 60 | 4 x 14 | 40 | 2,71 | F.04 | 54 | 9 | 30x3 | 11 | 10 | 42 | 6 | M5x16 | 10 | - | 313050 6081F |
| 15 | 15 | 130 | 49 | 95 | 12 | 34 | 65 | 4 x 14 | 40 | 3,23 | F.03 | 46 | 9 | 25x3 | 9 | 8 | 36 | 6 | M5x16 | 12 | - | 313050 61410 |
| 15 | 15 | 130 | 49 | 95 | 12 | 34 | 65 | 4 x 14 | 40 | 3,27 | F.04 | 54 | 9 | 30x3 | 11 | 10 | 42 | 6 | M5x16 | 12 | - | 313050 6141F |
| 20 | 20 | 140 | 56,5 | 105 | 14 | 42 | 75 | 4 x 14 | 40 | 4,78 | F.04 | 54 | 9 | 30x3 | 11 | 10 | 42 | 6 | M5x16 | 23 | - | 313050 62010 |
| 20 | 20 | 140 | 56,5 | 105 | 14 | 42 | 75 | 4 x 14 | 40 | 4,83 | F.05 | 65 | 9 | 35x3 | 14 | 13 | 50 | 7 | M6x16 | 23 | - | 313050 6201F |
| 25 | 25 | 150 | 61 | 115 | 14 | 51 | 85 | 4 x 14 | 40 | 6,18 | F.04 | 54 | 9 | 30x3 | 11 | 10 | 42 | 6 | M5x16 | 25 | - | 313050 62610 |
| 25 | 25 | 150 | 61 | 115 | 14 | 51 | 85 | 4 x 14 | 40 | 6,68 | F.05 | 65 | 9 | 35x3 | 14 | 13 | 50 | 7 | M6x16 | 25 | - | 313050 6261F |
| 32 | 32 | 180 | 81,5 | 140 | 16 | 63 | 100 | 4 x 18 | 40 | 10,52 | F.05 | 65 | 9 | 35x4 | 14 | 13 | 50 | 7 | M6x20 | 33 | - | 313050 63010 |
| 32 | 32 | 180 | 81,5 | 140 | 16 | 63 | 100 | 4 x 18 | 40 | 10,70 | F.07 | 90 | 12 | 55x4 | 17 | 15 | 70 | 9 | M8x20 | 33 | - | 313050 6301F |
| 40 | 40 | 200 | 89 | 150 | 16 | 75 | 110 | 4 x 18 | 40 | 13,85 | F.05 | 65 | 9 | 35x4 | 14 | 13 | 50 | 7 | M6x20 | 40 | - | 313050 63410 |
| 40 | 40 | 200 | 89 | 150 | 16 | 75 | 110 | 4 x 18 | 40 | 14,35 | F.07 | 90 | 12 | 55x4 | 17 | 15 | 70 | 9 | M8x20 | 40 | - | 313050 6341F |
| 50 | 50 | 220 | 91,5 | 165 | 18 | 89 | 125 | 4 x 18 | 40 | 18,40 | F.07 | 90 | 12 | 55x4 | 17 | 15 | 70 | 9 | M8x20 | 50 | - | 313050 63810 |
| 50 | 50 | 220 | 91,5 | 165 | 18 | 89 | 125 | 4 x 18 | 40 | 18,90 | F.10 | 120 | 12 | 70x4 | 22 | 18 | 102 | 11 | M10x25 | 50 | - | 313050 6381F |
| 65 * | 65 | 240 | 101,5 | 185 | 18 | 110 | 145 | 4 x 18 | 16 | 23,42 | F.07 | 90 | 12 | 55x4 | 17 | 15 | 70 | 9 | M8x20 | 60 | - | 313050 64410 |
| 65 * | 65 | 240 | 101,5 | 185 | 18 | 110 | 145 | 4 x 18 | 16 | 23,92 | F.10 | 125 | 12 | 70x4 | 22 | 18 | 102 | 11 | M10x25 | 60 | - | 313050 6441F |
| 65 * | 65 | 240 | 101,5 | 185 | 20 | 110 | 145 | 8 x 18 | 40 | 24,0 | F.07 | 90 | 12 | 55x4 | 17 | 15 | 70 | 9 | M8x20 | 60 | - | 313052 64410 |
| 65 * | 65 | 240 | 101,5 | 185 | 20 | 110 | 145 | 8 x 18 | 40 | 24,50 | F.10 | 125 | 12 | 70x4 | 22 | 18 | 102 | 11 | M10x25 | 60 | - | 313052 6441F |
| 80 * | 80 | 260 | 116 | 200 | 18 | 120 | 160 | 8 x 18 | 16 | 34,26 | F.07 | 90 | 12 | 55x4 | 17 | 15 | 70 | 9 | M8x20 | 110 | 313050 44810 | 313050 64810 |
| 80 * | 80 | 260 | 116 | 200 | 18 | 120 | 160 | 8 x 18 | 16 | 34,76 | F.10 | 120 | 12 | 70x4 | 22 | 18 | 102 | 11 | M10x25 | 110 | 313050 4481F | 313050 6481F |
| 80 * | 80 | 260 | 116 | 200 | 22 | 120 | 160 | 8 x 18 | 40 | - | F.07 | 90 | 12 | 55x4 | 17 | 15 | 70 | 9 | M8x20 | 110 | 303052 44810 | 303052 64810 |
| 80 * | 80 | 260 | 116 | 200 | 22 | 120 | 160 | 8 x 18 | 40 | - | F.10 | 120 | 12 | 70x4 | 22 | 18 | 102 | 11 | M10x25 | 110 | 303052 4481F | 303052 6481F |
| 100 * | 100 | 300 | 131 | 220 | 20 | 140 | 180 | 8 x 18 | 16 | 49,75 | F.07 | 90 | 12 | 55x4 | 17 | 15 | 70 | 9 | M8x20 | 130 | 313050 45410 | 313050 65410 |
| 100 * | 100 | 300 | 131 | 220 | 20 | 140 | 180 | 8 x 18 | 16 | 51 | F.10 | 125 | 12 | 70x4 | 22 | 18 | 102 | 11 | M10x25 | 130 | 313050 4541F | 313050 6541F |
| 125 * (Reduced) | 100 | 325 | 190 | 250 | 22 | 153 | 210 | 8 x 18 | 16 | - | F.07 | 90 | 12 | 55x4 | 17 | 15 | 70 | 9 | M8x20 | 130 | 313050 45510 | 313050 65510 |
| 125 * (Reduced) | 100 | 325 | 190 | 250 | 22 | 153 | 210 | 8 x 18 | 16 | - | F.10 | 125 | 12 | 70x4 | 22 | 18 | 102 | 11 | M10x25 | 130 | 313050 4551F | 313050 6551F |



| POSITION | BEZEICHNUNG | STÜCKE | MATERIAL |
|----------|------------------|--------|---------------------------|
| 1 | Gehäuse | 1 | AISI 304L - 316L |
| 2 | Kugel | 1 | AISI 304L - 316L |
| 3 | Muffen | 3 | AISI 304L - 316L |
| 4 | Stift | 1 | AISI 304L - 316L |
| 5 | Flansche | 3 | AISI 304L - 316L |
| 6 | Kugeldichtungen | 4 | Modifiziertes junges PTFE |
| 7 | Muffendichtungen | 3 | PTFE |
| 8 | Stiftdichtung | 1 | PTFE |
| 9 | Stiftdichtung | 1 | PTFE |
| 10 | Stiftdichtung OR | 1 | FKM |
| 11 | Registerring | 1 | AISI 304L (303) |
| 12 | Kontermutter | 1 | AISI 303 |

